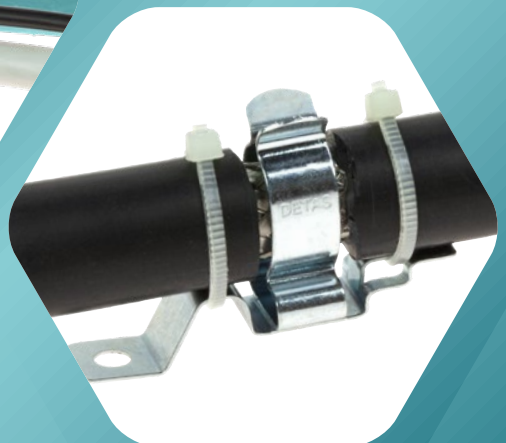
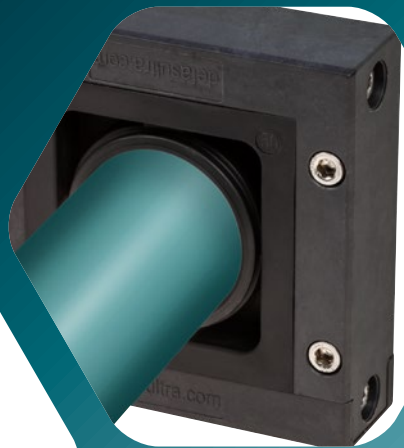




www.detasultra.com





Detas SpA presents the **DetasUltra** division, established in 2019 after many years of experience in cable management for electrical cabinets and equipment.

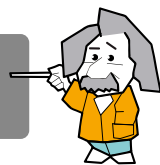
The **DES (Detas Entry System)** solution is designed to simplify the use of cables in electrical equipment, improving watertightness, strain relief and EMC, whilst minimising costs.

DES has been designed, developed and patented in Italy, thanks to our technical skills in the thermoplastic industry and production equipment. Our attention to detail has driven us to develop innovative and reliable solutions for our customers at a competitive price.

For decades the Detas Group has been specialising in power electronics for sectors such as industrial automation, LED functional lighting, traffic safety and electric vehicle charging.



Easier with us!



Summary

1 *Entry system for cables with and without connectors*

Frames - DES series	5 > 17
Splittable cable gland - OSF-DESCCLICK-DESPRED	19 > 24
Inserts & Utility Box - SP series	25 > 32
Brush frames - DES Z series	33 > 36

2 *Entry system for non-terminated cables*

Cable gland plates - DES PM series	38 > 44
Cable gland plates - DES PDM series	45 > 54
Plugs for cable gland plates - IFP	55

3 *Strain relief modules*

Strain relief - AP series	57 > 60
Spacers - DZ	61
Cable fixing clamps - MFK-MFY	62
Cable ties - FV	63 > 65

4 *EMC shielding*

DIN Rail bases - MB	67
EMC cable clamps - MS series	68 > 77
Engineering Box EMC	78
Earthing straps - CTX	79

5 *Splittable corrugated pipes*

Splittable corrugated pipes - FL	81
Clips for corrugated pipes - FW	82

6 *Accessories*

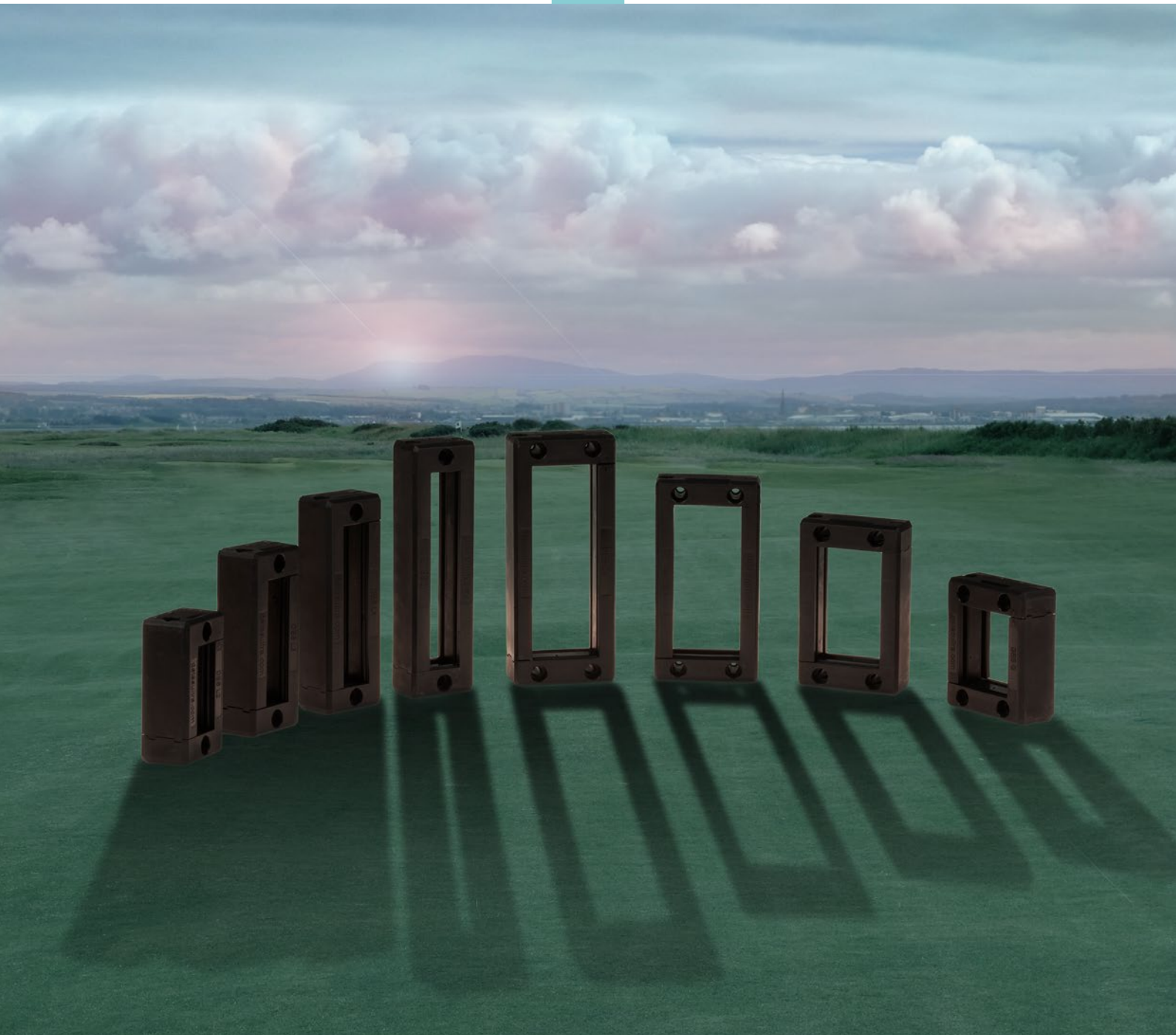
Hydraulic punch driver - HY360	84
Adapter plates - PF	85 > 86
Brushes for Rittal cabinets - SQZ	87
DemoBox Deluxe	88

7 *ATEX - Frames and cable gland plates*

Frames and inserts - DES series	90 > 95
Cable gland plates - DES PDM series	96 > 102

Group 1

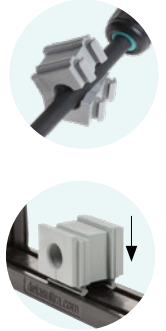
Entry system for cables with and without connectors





Splittable frame for cables with and without connectors

- ▶ Multiple configurations with small and big inserts
- ▶ Frame screws in AISI304 Stainless Steel
- ▶ External gasket included
- ▶ Strain relief according to EN 62444
- ▶ Sturdy construction IK10
- ▶ Threaded inserts version on request



Model	Code	Some possible configurations	Max. cut-out [mm]	Pcs /pack
DES 24M	1731010224		114 x 40	10
Upon request:	1731991020	Set of 4 mounting screws in AISI304 with Black Dacromet finishing		10

The DES 24M splittable frame allow up to 40 cables with or without connector or one or two cables up to 35mm diameter to pass through electric cabinet or machines walls.

The small and big inserts can be freely positioned inside the frame.

The DES 24M frame is the base structure for the expandable MX version.

Technical data

Material: PP+GF

Flammability: self-extinguishing acc. to UL94-V0

Temperature: -40°C... +155°C (static)

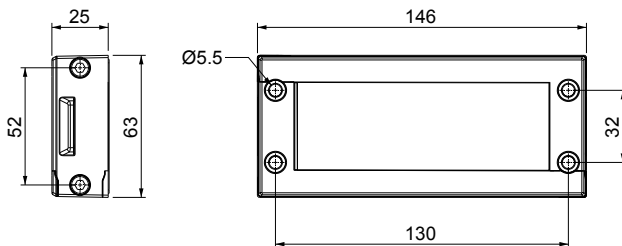
Features: halogens and silicones free

Related products

- Inserts SPG
- Inserts SPP
- Inserts SPP 2x
- Inserts SPP 4x
- DES Cover

Hydraulic punch driver HY360

Dimensions [mm]



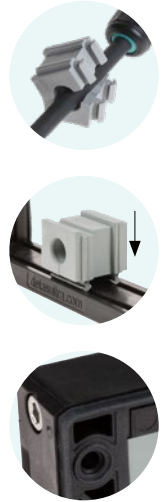
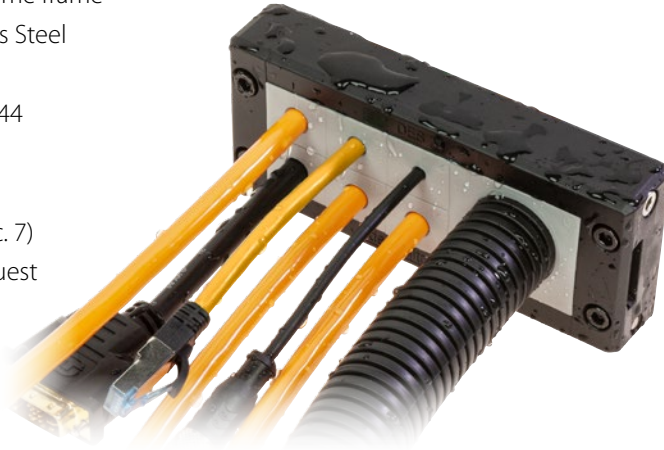


DES 24



Splittable frame for cables with and without connectors

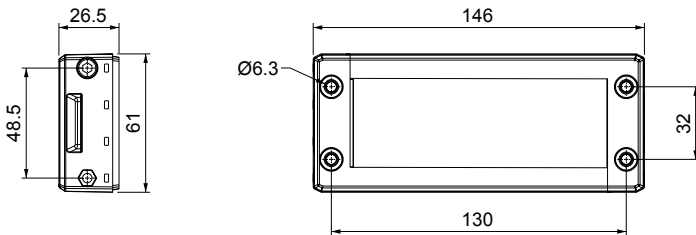
- ▶ Multiple configurations in the same frame
- ▶ Frame screws in AISI304 Stainless Steel
- ▶ Integrated gasket
- ▶ Strain relief according to EN 62444
- ▶ Sturdy construction IK10
- ▶ IP66 and Nema 4X certified
- ▶ ATEX version on request (see sec. 7)
- ▶ Threaded inserts version on request



Model	Code	Some possible configurations	Max. cut-out [mm]	Pcs /pack
DES 24	1731010024		112 x 39	10

Upon request:	1731991020	Set of 4 mounting screws in AISI304 with Black Dacromet finishing	10
---------------	------------	---	----

Dimensions [mm]



The DES 24 cable entry system consists of a splittable frame designed to accommodate small (SPP), multiple (X) or large (SPG) inserts for cables. The inserts can be freely positioned into the frame.

The overmolded gasket guarantees faster installation times and the complete V0 self-extinguishing of the system.

Technical data

Material: PP+GF

Flammability: self-extinguishing acc. to UL94-V0

Temperature: -40°C... +155°C (static)

Features: halogens and silicones free

Related products

- Inserts SPG
- Inserts SPP
- Inserts SPP 2x
- Inserts SPP 4x
- DES Flap
- DES Cover

Hydraulic punch driver HY360



IP66

NEMA 4X

NEMA 12



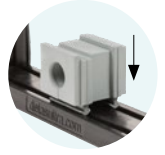
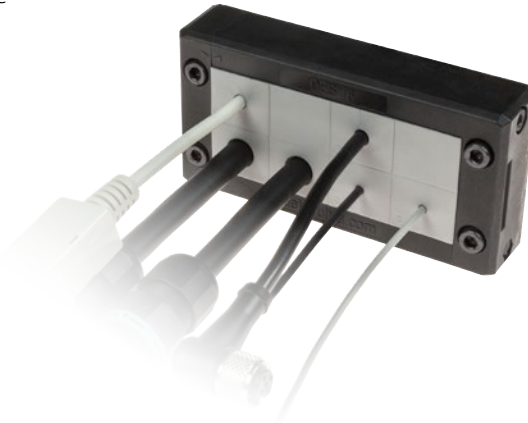
IK10





Splittable frame for cables with and without connectors

- ▶ Multiple configurations in the same frame
- ▶ Frame screws in AISI304 Stainless Steel
- ▶ Integrated gasket
- ▶ Strain relief according to EN 62444
- ▶ Sturdy construction IK10
- ▶ IP66 and Nema 4X certified
- ▶ ATEX version on request (see sec. 7)
- ▶ Threaded inserts version on request



Model	Code	Some possible configurations	Max. cut-out [mm]	Pcs /pack
DES 16	1731010016		86 x 39	10
Upon request:	1731991020	Set of 4 mounting screws in AISI304 with Black Dacromet finishing		10

The DES 16 cable entry system consists of a splittable frame designed to accommodate small (SPP), multiple (X) or large (SPG) inserts for cables. The inserts can be freely positioned into the frame.

The overmolded gasket guarantees faster installation times and the complete V0 self-extinguishing of the system.

Technical data

Material: PP+GF

Flammability: self-extinguishing acc. to UL94-V0

Temperature: -40°C... +155°C (static)

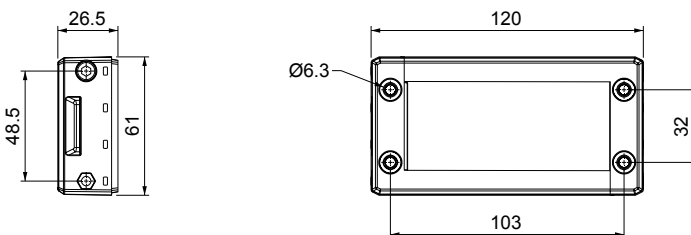
Features: halogens and silicones free

Related products

- Inserts SPG
- Inserts SPP
- Inserts SPP 2x
- Inserts SPP 4x
- DES Flap
- DES Cover

Hydraulic punch driver HY360

Dimensions [mm]



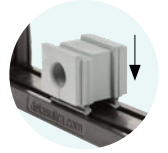
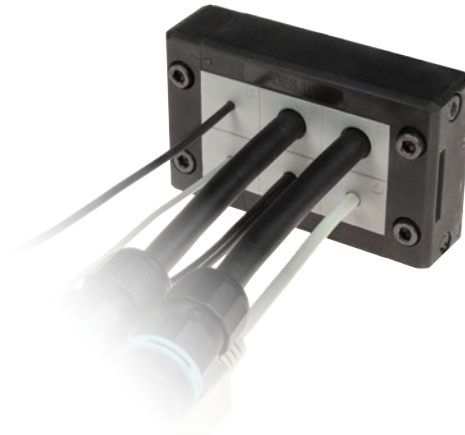


DES 10



Splittable frame for cables with and without connectors

- ▶ Multiple configurations in the same frame
- ▶ Frame screws in AISI304 Stainless Steel
- ▶ Integrated gasket
- ▶ Strain relief according to EN 62444
- ▶ Sturdy construction IK10
- ▶ IP66 and Nema 4X certified
- ▶ ATEX version on request (see sec. 7)
- ▶ Threaded inserts version on request



Model	Code	Some possible configurations	Max. cut-out [mm]	Pcs /pack
DES 10	1731010010		63 x 39	10
Upon request:	1731991020	Set of 4 mounting screws in AISI304 with Black Dacromet finishing		10

The DES 10 cable entry system consists of a splittable frame designed to accommodate small (SPP), multiple (X) or large (SPG) inserts for cables. The inserts can be freely positioned into the frame.

The overmolded gasket guarantees faster installation times and the complete V0 self-extinguishing of the system.

Technical data

Material: PP+GF

Flammability: self-extinguishing acc. to UL94-V0

Temperature: -40°C... +155°C (static)

Features: halogens and silicones free

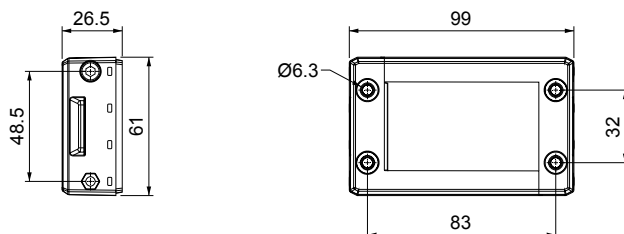
Related products

- Inserts SPG
- Inserts SPP
- Inserts SPP 2x
- Inserts SPP 4x
- DES Flap
- DES Cover

Hydraulic punch driver HY360



Dimensions [mm]



1



IP66

NEMA 4X

NEMA 12



ECOLAB



RoHS COMPLIANT



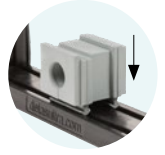
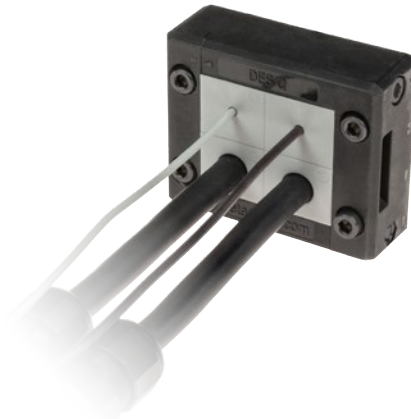
IK10





Splittable frame for cables with and without connectors

- ▶ For 4 small or 1 big inserts
- ▶ Frame screws in AISI304 Stainless Steel
- ▶ Integrated gasket
- ▶ Strain relief according to EN 62444
- ▶ Sturdy construction IK10
- ▶ IP66 and Nema 4X certified
- ▶ ATEX version on request (see sec. 7)
- ▶ Threaded inserts version on request



Model	Code	Some possible configurations	Max. cut-out [mm]	Pcs /pack
DES Q	1731010008		40 x 39	10
Upon request:	1731991020	Set of 4 mounting screws in AISI304 with Black Dacromet finishing		10

The DES Q cable entry system consists of a splittable frame designed to accommodate small (SPP), multiple (X) or large (SPG) inserts for cables. The inserts can be freely positioned into the frame.

The overmolded gasket guarantees faster installation times and the complete V0 self-extinguishing of the system.

Technical data

Material: PP+GF

Flammability: self-extinguishing acc. to UL94-V0

Temperature: -40°C... +155°C (static)

Features: halogens and silicones free

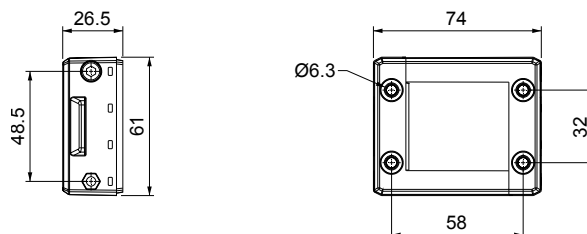
Related products

- Inserts SPG
- Inserts SPP
- Inserts SPP 2x
- Inserts SPP 4x
- DES Flap
- DES Cover

Hydraulic punch driver HY360



Dimensions [mm]



1



DES L2/L3



Splittable frame for cables with and without connectors

- ▶ For 2 or 3 small SPP grommets
- ▶ Frame screws in AISI304 Stainless Steel
- ▶ Integrated gasket
- ▶ Strain relief according to EN 62444
- ▶ Sturdy construction IK10
- ▶ IP66 and Nema 4X certified
- ▶ ATEX version on request (see sec. 7)
- ▶ Threaded inserts version on request



Model	Code	Some possible configurations	Max. cut-out [mm]	Pcs /pack
DES L2	1731010002		40 x 18	10
DES L3	1731010003		63 x 18	
Upon request:	1731991010	Set of 2 mounting screws in AISI304 with Black Dacromet finishing		10

The DES L2/L3 cable entry system consists of a splittable frame designed to accommodate small (SPP) inserts for cables with or without connectors.

The overmolded gasket guarantees faster installation times and the complete V0 self-extinguishing of the system.

Technical data

Material: PP+GF

Flammability: self-extinguishing acc. to UL94-V0

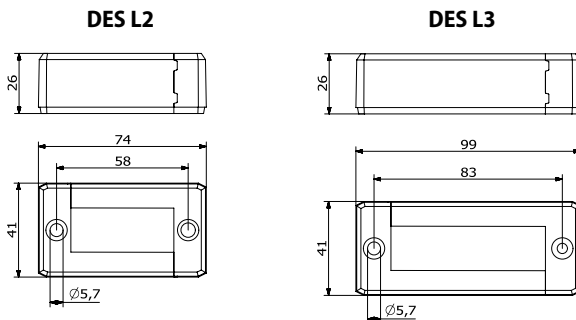
Temperature: -40°C... +155°C (static)

Features: halogens and silicones free

Related products

- Inserts SPP
- Inserts SPP 2x
- Inserts SPP 4x

Dimensions [mm]



IP66

NEMA 4X

NEMA 12



ECOLAB



RoHS COMPLIANT



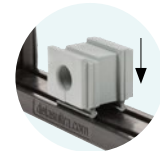
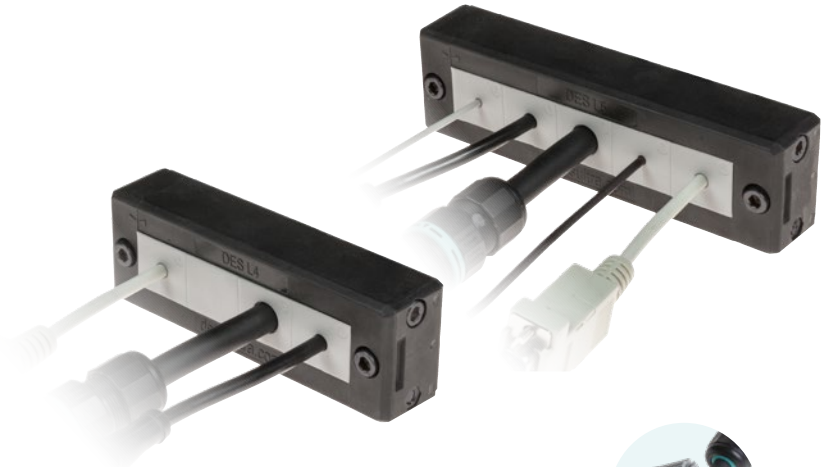
IK10





Splittable frame for cables with and without connectors

- ▶ For 4 or 5 small SPP grommets
- ▶ Frame screws in AISI304 Stainless Steel
- ▶ Integrated gasket
- ▶ Strain relief according to EN 62444
- ▶ Sturdy construction IK10
- ▶ IP66 and Nema 4X certified
- ▶ ATEX version on request (see sec. 7)
- ▶ Threaded inserts version on request



Model	Code	Some possible configurations	Max. cut-out [mm]	Pcs /pack
DES L4	1731010004		86 x 18	10
DES L5	1731010005		112 x 18	
Upon request:	1731991010	Set of 2 mounting screws in AISI304 with Black Dacromet finishing		10

The DES L4/L5 cable entry system consists of a splittable frame designed to accommodate small (SPP) inserts for cables with or without connectors.

The overmolded gasket guarantees faster installation times and the complete V0 self-extinguishing of the system.

Technical data

Material: PP+GF

Flammability: self-extinguishing acc. to UL94-V0

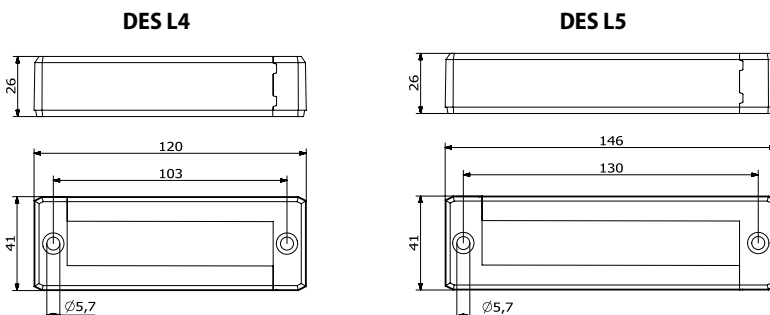
Temperature: -40°C... +155°C (static)

Features: halogens and silicones free

Related products

- Inserts SPP
- Inserts SPP 2x
- Inserts SPP 4x

Dimensions [mm]



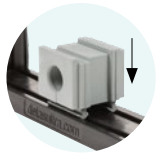


DES 24-90



Splittable frame for cables with and without connectors

- ▶ 90° cable entry
- ▶ Multiple configurations in the same frame
- ▶ Frame screws in AISI304 Stainless Steel
- ▶ IP54
- ▶ Strain relief according to EN 62444
- ▶ Sturdy construction IK10



Model	Code	Some possible configurations	Max. cut-out [mm]	Pcs /pack
DES 24-90	1731010124		112 x 39	10

The 90° cable entry system DES24-90 is used when the machinery construction does not allow the straight entrance of the cables, or when a nice design is requested.

This cable entry system is suitable for both cables with or without connectors and corrugated conduits, or a mix of them. The inserts can be freely accommodated into the frame.

Technical data

Material: PP+GF

Flammability: self-extinguishing acc. to UL94-V0

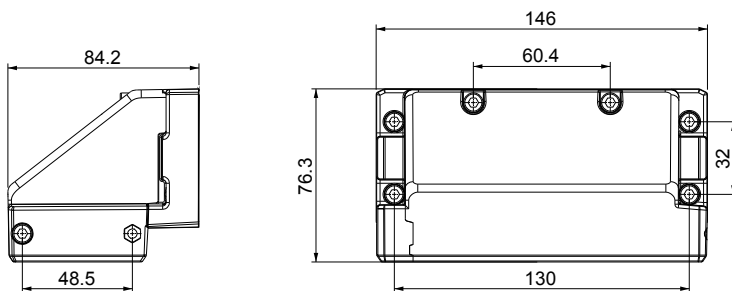
Temperature: -40°C... +155°C (static)

Features: halogens and silicones free

Related products

- Inserts SPG (for corrugates)
 - Inserts SPP
 - Inserts SPP 2x
 - Inserts SPP 4x
 - DES Flap
 - DES Cover
- Hydraulic punch driver HY360

Dimensions [mm]



1



IP54

NEMA 12



ECOLAB



RoHS COMPLIANT



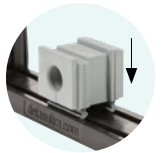
IK10





Telai divisibili per cavi con e senza connettori

- ▶ Multiple configurations with small and big inserts
- ▶ Frame screws in AISI304 Stainless Steel
- ▶ IP54
- ▶ Strain relief according to EN 62444
- ▶ Sturdy construction IK10
- ▶ External gasket included



Model	Code	Some possible configurations per module	Dimensions L x H [mm]	Max. cut-out [mm]	Pcs /pack
DES 24MX2	1731010252		146 x 115	114 x 92	1
DES 24MX3	1731010253		146 x 166	114 x 144	
DES 24MX4	1731010254		146 x 218	114 x 196	
Other models upon request					

The DES 24MX splittable frames family is a modular solution for installations where a big quantity of cables need to be routed through electrical cabinets walls or machines.

This solution is not only modular but it is also a general solution that can be adopted as main cables entrance. Both cables with or without connector can be routed (40 for each module) and future updates can easily be organized in the cheapest and fastest way.

Technical data

Material: PP+GF

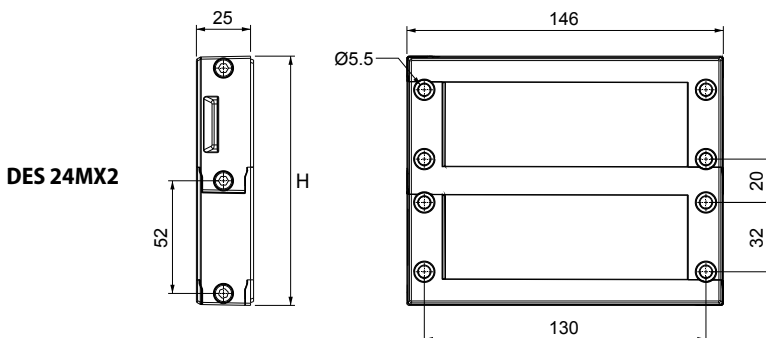
Flammability: self-extinguishing acc. to UL94-V0

Temperature: -40°C... +155°C (static)

Features: halogens and silicones free

Upon request:	1731991020	Set of 4 mounting screws in AISI304 with Black Dacromet finishing	10
---------------	------------	---	----

Dimensions [mm]



Related products

- Inserts SPG
- Inserts SPP
- Inserts SPP 2x
- Inserts SPP 4x





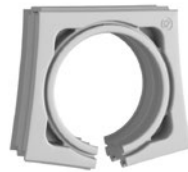
DES 380M




Modular frames for big diameter cables or corrugates tubes

NEW

- ▶ Fast and easy fixing of big diameter cables and corrugated pipes
- ▶ Diameters from 38 to 62 mm
- ▶ Free installation on 4 sides
- ▶ IP54
- ▶ Sturdy construction IK10
- ▶ No need of gasket
- ▶ AISI 304 screws



Model	Code	Dimensions L x H [mm]	Max. cut-out [mm]	Pcs /pack
DES 380M 	1731010270	116 x 116	72 x 72	1

The DES 380 splittable frame family includes the DES 380M and MX and is a modular solution for big size cables and corrugated pipes installations on electrical cabinets or machinery.

The system allows cable or corrugated pipes with diameter from 38 to 62 mm diameter to be secured in the cabinet entrance with fast and strain relief fixing.

The DES 380M is the base product for increasing the number of cables thanks to the modular capabilities of the 380 MX system.

Technical data

Material: PP+GF

Flammability: self-extinguishing acc. to UL94-V0

Temperature: -40°C... +155°C (static)

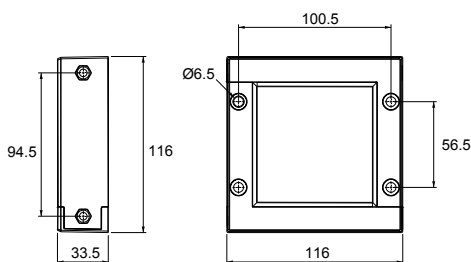
Features: halogens and silicones free

Related products



Inserts SPH

Dimensions [mm]



IP54

NEMA 12



ECOLAB



RoHS COMPLIANT



IK10

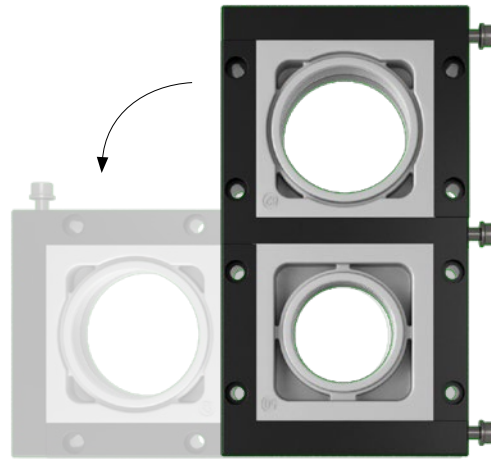
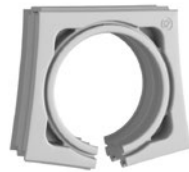







Modular frames for big diameter cables or corrugates tubes

NEW

- ▶ Fast and easy fixing of big diameter cables and corrugated pipes
- ▶ Modular system
- ▶ Diameters from 38 to 62 mm
- ▶ Horizontal or vertical installation
- ▶ IP54
- ▶ No need of gasket
- ▶ AISI 304 screws



Model	Code	Dimensions L x H [mm]	Max. cut-out [mm]	Pcs /pack
DES 380MX2 	1731010272	210,5 x 116	166,5 x 72	1
DES 380MX3 	1731010273	305 x 116	261 x 72	
DES 380MX4 	1731010274	399,5 x 116	355,5 x 72	

Other models upon request

The splittable DES 380MX frames are used for routing big diameter cables and corrugated pipes through electric, machinery or main cabinets.

The solution is modular meaning that the customer can buy the 4 frames solution and use it for only 2 or 3 cables. He can then easily add another cable.

Technical data

Material: PP+GF

Flammability: self-extinguishing acc. to UL94-V0

Temperature: -40°C... +155°C (static)

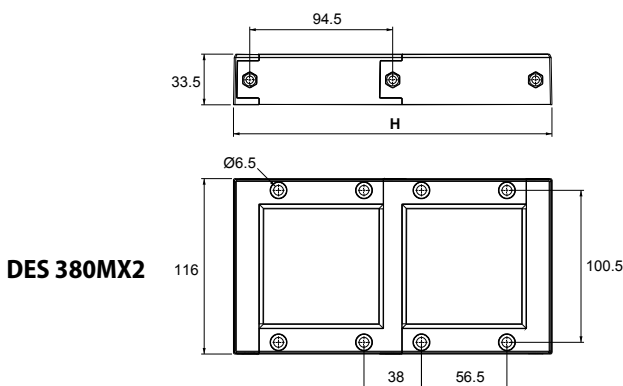
Features: halogens and silicones free

Related products



Inserts SPH

Dimensions [mm]



IP54

NEMA 12



ECOLAB



IK10





DES COVER



Sealing plates for DES series

- ▶ Fast installation
- ▶ Gasket included
- ▶ Same holes position of the DES Systems
- ▶ IP54



Model	Code	Dimensions [mm]		Pcs /pack
		L1	L2	
DES COVER 24	1731032024	146	130	10
DES COVER 16	1731032016	120	103	
DES COVER 10	1731032010	99	83	
DES COVER Q	1731032008	74	58	
Upon request:	1731991020	Set of 4 mounting screws in AISI304 with Black Dacromet finishing		10

The DES COVER plates allow to protect the unused gaps in the cabinet, avoiding contact with the outer environment.

Technical data

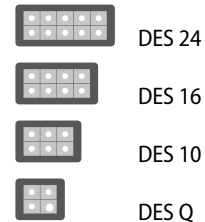
Material: PP+GF

Flammability: self-extinguishing acc. to UL94-V0

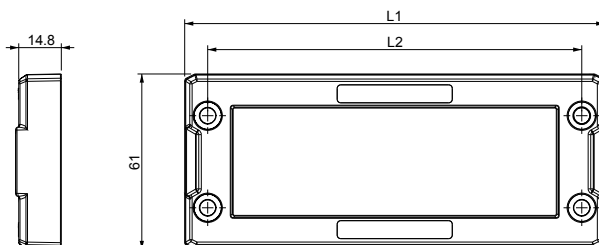
Temperature: -40°C... +155°C (static)

Features: halogens and silicones free

Related products



Dimensions [mm]



IP54

ECOLAB





Fast fixing solution for DES splittable frames

- ▶ Snap fixing for the DES Series
- ▶ Gasket included
- ▶ Same holes position of the DES Systems
- ▶ IP54



Model	Code	Dimensions [mm]		Max. cut-out [mm]	Pcs /pack
		L1	L2		
DES FLAP 24	1731031024	153	130	112 x 39	10
DES FLAP 16	1731031016	127	103	86 x 39	
DES FLAP 10	1731031010	106	83	63 x 39	
DES FLAP Q	1731031008	81	58	40 x 39	

The DES FLAP solution enables the DES 24, 16, 10 and Q frames to be installed with a quick snap-in connection.

The FLAP frame, once installed, hooks over the split frame and is the best solution for a flexible installation. Enclosures can be later inspected quickly and easily be dismantled.

Technical data

Material: PP+GF

Flammability: self-extinguishing acc. to UL94-V0

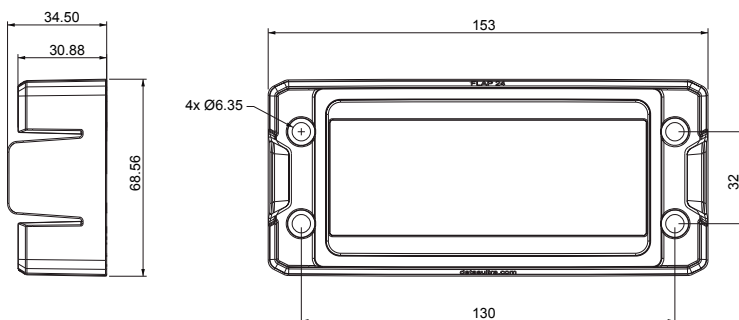
Temperature: -40°C... +155°C (static)

Features: halogens and silicones free

Related products

- DES 24
- DES 16
- DES 10
- DES Q
- DES Cover

Dimensions [mm]



Splittable cable glands

OSF

Snap mounting no screws

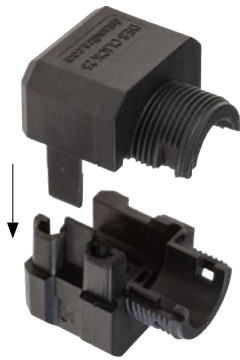
With locknut

M16 / M20 / M25 / M32

90° cable entry version

No locknut version (coming soon)

IP54



DESCCLICK

Snap mounting no screws

With locknut

M20 / M25 / M32 / M50

IP54



DESPRED

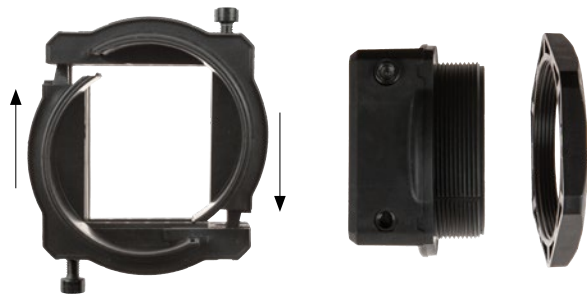
Dacromet SS screws

With Locknut

M25 / M32 / M63

Up to 16 cables

IP66 - NEMA 4X

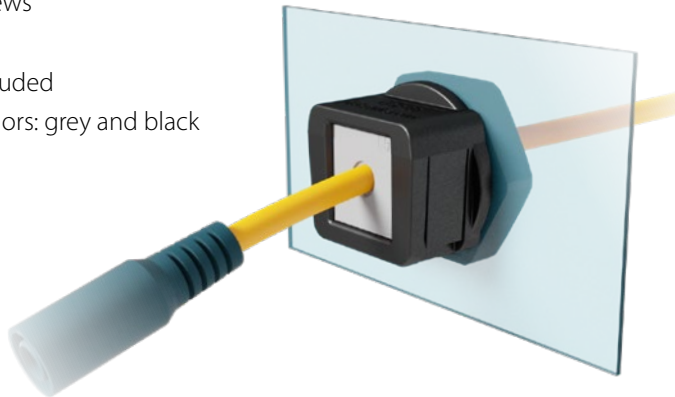




Splittable cable glands

NEW

- ▶ Metric sizes
- ▶ Without screws
- ▶ IP54
- ▶ Locknut included
- ▶ Available colors: grey and black



Model	Code	Cut-out Ø [mm]	Pcs /pack
OSF 16G	1731052316	16,5	10
OSF 20G	1731052320	20,5	
OSF 25G	1731052325	25,5	
OSF 32G	1731052332	32,5	
OSF 16B	1731052416	16,5	
OSF 20B	1731052420	20,5	
OSF 25B	1731052425	25,5	
OSF 32B	1731052432	32,5	

OSF is a splittable cable gland for metric sizes especially designed for cables with connectors.

The compact size and nice design are just a few of the countless advantages of the OSF Family.

OSF can be equipped with SPC grommets with single or multiple holes for both black and grey UL94V0 colors.

Technical data

Material: PC

Flammability: self-extinguishing acc. to UL94-V0

Temperature: -40°C... +130°C (static)

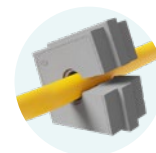
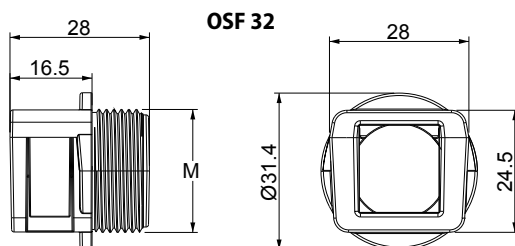
Features: halogens and silicones free

Related products

- Inserts SPC
- Inserts SPC 2x
- Inserts SPC 4x

Hydraulic punch driver HY360

Dimensions [mm]



IP54

NEMA 12



IK10





OSF90



Splittable cable glands with 90° cable entry system

NEW

- ▶ 90° cable entry system
- ▶ Without screws
- ▶ IP54
- ▶ Locknut included
- ▶ Available colors: grey and white



Model	Code	Cut-out Ø [mm]	Pcs /pack
OSF90 16G	1731052916	16,5	10
OSF90 20G	1731052920	20,5	
OSF90 25G	1731052925	25,5	
OSF90 32G	1731052932	32,5	
OSF90 16B	1731052917	16,5	
OSF90 20B	1731052921	20,5	
OSF90 25B	1731052926	25,5	
OSF90 32B	1731052933	32,5	

OSF90 is a 90° splittable cable gland for metric sizes especially designed for cables with connectors. The 90° entry systems nice looking gives more "design" to the machine or cabinet.

The compact size and nice design are only few advantages of the OSF Family.

OSF 90 can be equipped with SPC grommets with single or multiple holes for both black and grey UL94V0 colors.

Technical data

Material: PC

Flammability: self-extinguishing acc. to UL94-V0

Temperature: -40°C... +130°C (static)

Features: halogens and silicones free

Related products

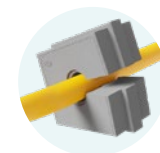
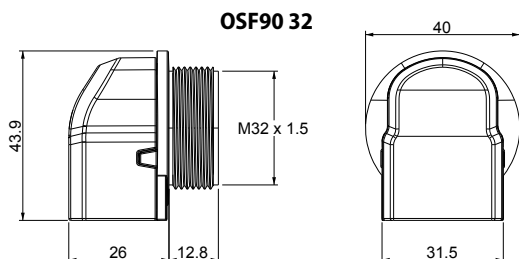
Inserts SPC

Inserts SPC 2x

Inserts SPC 4x

Hydraulic punch driver HY360

Dimensions [mm]



IP54

NEMA 12



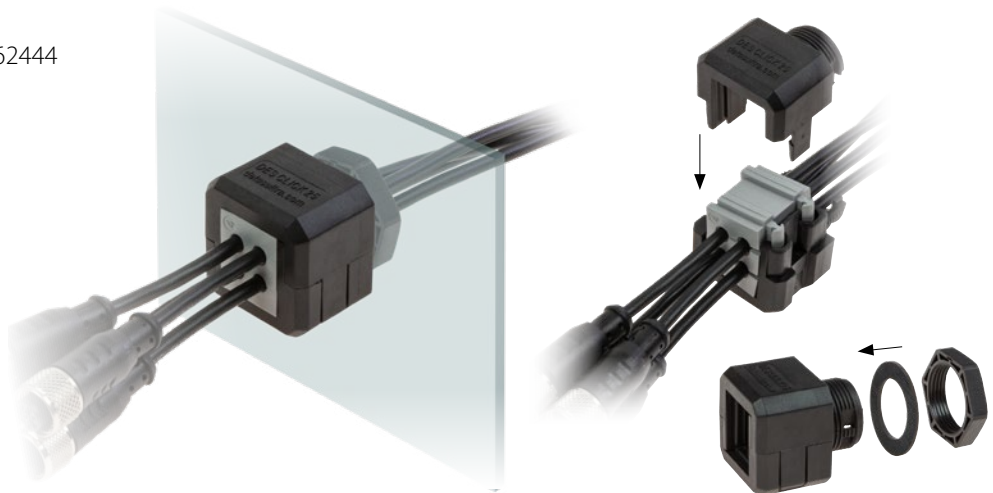
IK10





Splittable cable gland with locknut

- ▶ Without screws
- ▶ Strain relief according to EN 62444
- ▶ Metric sizes
- ▶ Sturdy construction IK10
- ▶ IP54
- ▶ Grey or black version



Model	Code	Max. insert sizes			Cut-out Ø [mm]	Pcs /pack
DESCCLICK 20B	1731051020	SPP 12	SPP 2x5	SPP 4x2	20,5	10
DESCCLICK 25B	1731051025	SPP 16	SPP 2x6	SPP 4x4	25,5	
DESCCLICK 32B	1731051032	SPP 16	SPP 2x7	SPP 4x6	32,5	
DESCCLICK 20G	1731051320	SPP 12	SPP 2x5	SPP 4x2	20,5	
DESCCLICK 25G	1731051325	SPP 16	SPP 2x6	SPP 4x4	25,5	
DESCCLICK 32G	1731051332	SPP 16	SPP 2x7	SPP 4x6	32,5	
DDM SUB-D9	1731052032	Special size M32 for SUB-D9				10

DESCCLICK is a metric, splittable cable gland for cables with and without connectors. DESCCLICK works with single, big and multiple cable inserts ranging from 2 to 17 mm diameter.

Technical data

Material: PC

Flammability: self-extinguishing acc. to UL94-V0

Temperature: -40°C... +130°C (static)

Features: halogens and silicones free

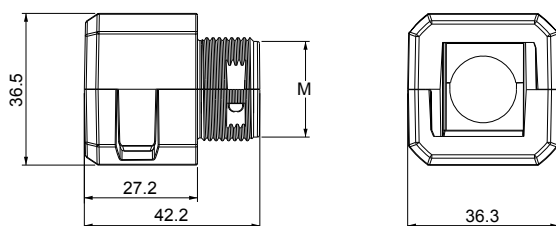
Related products

- Inserts SPP
- Inserts SPP 2x
- Inserts SPP 4x

Hydraulic punch driver HY360



Dimensions [mm]



IP54

NEMA 12



IK10



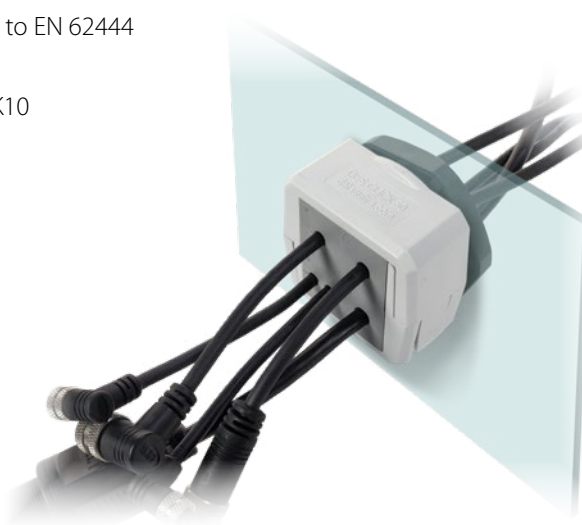


DESCCLICK 50



Splittable cable gland with locknut

- ▶ Without screws
- ▶ Strain relief according to EN 62444
- ▶ M50 metric size
- ▶ Sturdy construction IK10
- ▶ IP54



Model	Code	Max. insert sizes			Cut-out Ø [mm]	Pcs /pack
DESCCLICK 50B	1731051050				50,5	10
DESCCLICK 50G	1731051350	SPP 15	SPP 2x6	SPP 4x3		

Some possible configurations

DESCCLICK 50 is a splittable cable gland for M50 threads. It includes the M50 nut.

DESCCLICK 50 can be used for small, multiple, perforable and big grommets for cables with or without connectors.

Technical data

Material: PC

Flammability: self-extinguishing acc. to UL94-V0

Temperature: -40°C... +130°C (static)

Features: halogens and silicones free

Related products



Inserts SPG



Inserts SPP

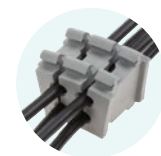


Inserts SPP 2x

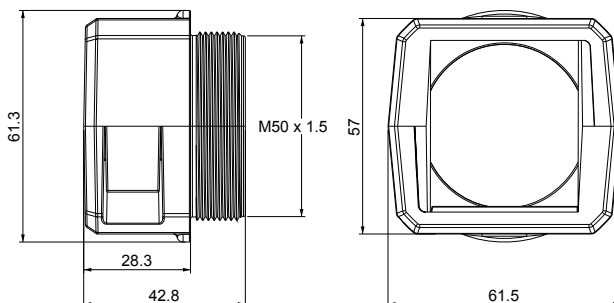


Inserts SPP 4x

Hydraulic punch driver HY360



Dimensions [mm]



IP54

NEMA 12



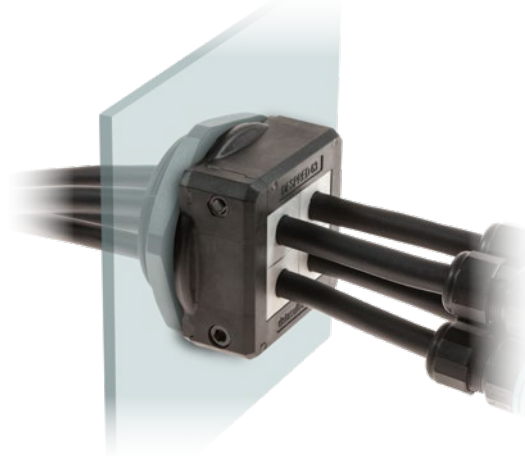
IK10





Splittable cable gland with locknut

- ▶ Frame screws in AISI304 Stainless Steel with Black Dacromet finishing
- ▶ M25, M32 and M63 metric sizes
- ▶ IP66 and Nema 4X certified
- ▶ Strain relief according to EN 62444
- ▶ Sturdy construction IK10
- ▶ Integrated gasket
- ▶ ATEX version on request (see sec. 7)



Model	Code	Some possible configurations	Cut-out Ø [mm]	Pcs /pack
DESPRED 25	1731050025		25,5	10
DESPRED 32	1731050032		32,5	
DESPRED 63	1731050063		63,5	
DDM SUB-D9	1731052032	Special size M32 for SUB-D9		10

The DESPRED series are splittable cable glands for metric threads.

The 63 model can be used with small, multiple and large inserts for cables up to 34 mm diameter. With multiple inserts it is possible to accommodate up to 16 cables. Future cable size changes can also be easily accommodated using various inserts.

Technical data

Material: PP+GF

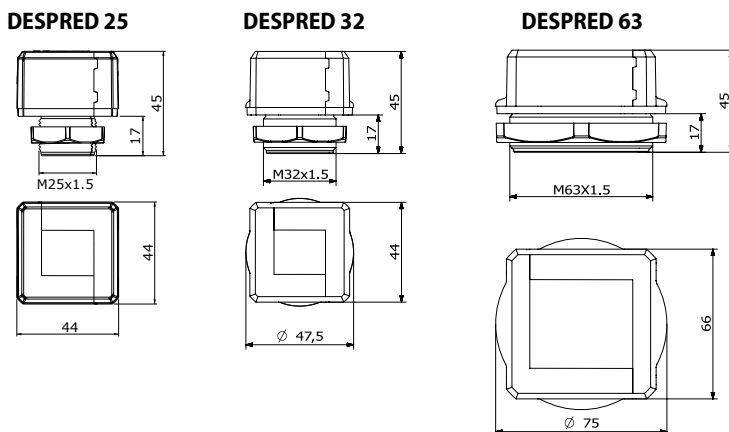
Flammability: self-extinguishing acc. to UL94-V0

Temperature: -40°C... +155°C (static)

Features: halogens and silicones free



Dimensions [mm]



Related products

- Inserts SPG
- Inserts SPP
- Inserts SPP 2x
- Inserts SPP 4x

Hydraulic punch driver HY360

1

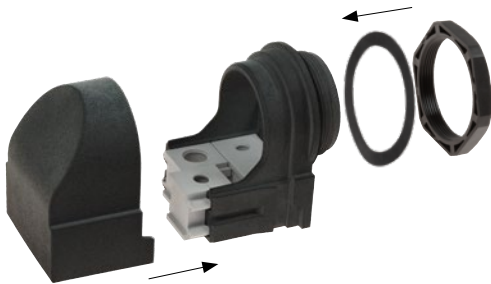


DESPRED 50-90



Splittable cable gland and locknut with 90° entry

- ▶ Without screws
- ▶ Metric size
- ▶ Strain relief according to EN 62444
- ▶ IP54
- ▶ Sturdy construction IK10



Model	Code	Some possible configurations	Max. cut-out Ø [mm]	Pcs /pack
DESPRED 50-90	1731050250		50,5	10

DESPRED 50-90 is a M50 metric, splittable cable gland with a 90° entry. It works with small, multiple and large inserts for cables ranging from 2 to 17 mm diameter.

The multiple inserts allow to accommodate up to 16 cables. Large grommets are used with corrugated tubes.

Technical data

Material: PA66+GF

Flammability: self-extinguishing acc. to UL94-V0

Temperature: -40°C... +155°C (static)

Features: halogens and silicones free

Related products



Inserts SPG (for corrugates)



Inserts SPP



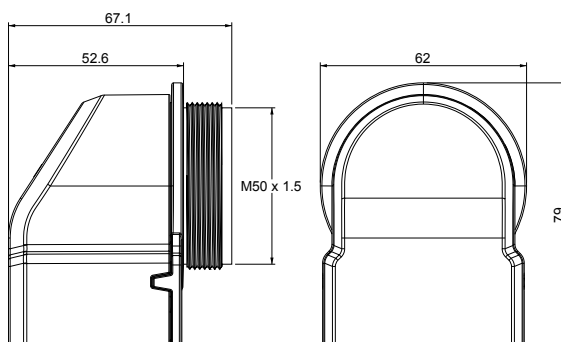
Inserts SPP 2x



Inserts SPP 4x

Hydraulic punch driver HY360

Dimensions [mm]



1



IP54

NEMA 12



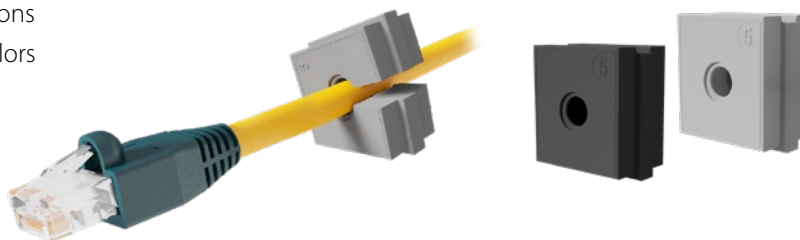
IK10



Inserts single, double, quadruple for OSF Family

NEW

- ▶ Openable cable inserts for diameters from 2 to 14 mm
- ▶ Blind version available
- ▶ Grey and black versions
- ▶ UL94-V0 for both colors



Model	Code	Ø Cable [mm]	Model	Code	Pcs /pack
		■			
SPC 0G	1731052500	"blind"	SPC 0B	1731052600	10
SPC 2G	1731052502	2	SPC 2B	1731052602	
SPC 3G	1731052503	3	SPC3B	1731052603	
SPC 4G	1731052504	4	SPC 4B	1731052604	
SPC 5G	1731052505	5	SPC 5B	1731052605	
SPC 6G	1731052506	6	SPC 6B	1731052606	
SPC 7G	1731052507	7	SPC 7B	1731052607	
SPC 8G	1731052508	8	SPC 8B	1731052608	
SPC 9G	1731052509	9	SPC 9B	1731052609	
SPC 10G	1731052510	10	SPC 10B	1731052610	
SPC 11G	1731052511	11	SPC 11B	1731052611	
SPC 12G	1731052512	12	SPC 12B	1731052612	
SPC 13G	1731052513	13	SPC 13B	1731052613	
SPC 14G	1731052514	14	SPC 14B	1731052614	
		■●			
SPC 2x2G	1731052522	2	SPC 2x2B	1731052622	10
SPC 2x3G	1731052523	3	SPC 2x3B	1731052623	
SPC 2x4G	1731052524	4	SPC 2x4B	1731052624	
SPC 2x5G	1731052525	5	SPC 2x5B	1731052625	
SPC 2x6G	1731052526	6	SPC 2x6B	1731052626	
SPC 2x7G	1731052527	7	SPC 2x7B	1731052627	
		■●●			
SPC 4x2G	1731052532	2	SPC 4x2B	1731052632	10
SPC 4x3G	1731052533	3	SPC 4x3B	1731052633	
SPC 4x4G	1731052534	4	SPC 4x4B	1731052634	
SPC 4x5G	1731052535	5	SPC 4x5B	1731052635	
SPC 4x6G	1731052536	6	SPC 4x6B	1731052636	

The SPC cable inserts are openable grommets which can be used into the DES series for routing preterminated cables with diameters from 2 to 14 mm.

The 2X and 4X allow multiple cables to be routed into the same cable gland.

Technical data

Material: TPE

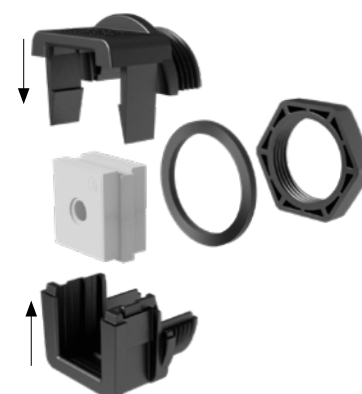
Flammability: self-extinguishing acc. to UL94-V0 (grey or black)

Temperature: -40°C... +110°C (static)

Features: halogens and silicones free

Related products

OSF
OSF 90



1



DES inserts - small: single, double and quadruple

- ▶ Inserts for cables from 2 to 17 mm diameter
- ▶ "Blind" version available
- ▶ Grey and black colours available
- ▶ UL94-V0 for both colours
- ▶ ATEX version on request (see sec. 7)



The SPP inserts enable several cables from 2 to 17 mm diameter to be installed in the DES splittable frame.

The 2X and 4X versions allow multiple cables in the same grommet.

Technical data

Material: TPE

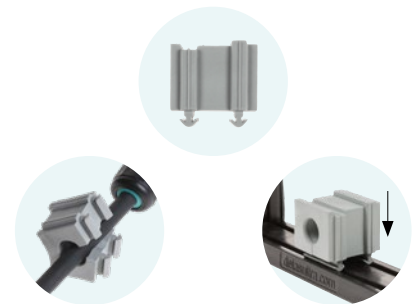
Flammability: self-extinguishing acc. to UL94-V0 (grey or black)

Temperature: -40°C... +110°C (static)

Features: halogens and silicones free

Related products

- | | | |
|-----------|--------|--------------|
| DES 24 | DES L5 | DESPRED |
| DES 24-90 | DES L4 | DESPRED 90 |
| DES 16 | DES L3 | DESCCLICK |
| DES 10 | DES L2 | DESCCLICK 50 |
| DES Q | | |



Model	Code	Ø Cable [mm]	Model	Code	Pcs /pack
		■			
SPP 0G	1731020100	senza foro	SPP 0B	1731020200	10
SPP 2G	1731020102	2-3	SPP 2B	1731020202	
SPP 3G	1731020103	3-4	SPP 3B	1731020203	
SPP 4G	1731020104	4-5	SPP 4B	1731020204	
SPP 5G	1731020105	5-6	SPP 5B	1731020205	
SPP 6G	1731020106	6-7	SPP 6B	1731020206	
SPP 7G	1731020107	7-8	SPP 7B	1731020207	
SPP 8G	1731020108	8-9	SPP 8B	1731020208	
SPP 9G	1731020109	9-10	SPP 9B	1731020209	
SPP 10G	1731020110	10-11	SPP 10B	1731020210	
SPP 11G	1731020111	11-12	SPP 11B	1731020211	
SPP 12G	1731020112	12-13	SPP 12B	1731020212	
SPP 13G	1731020113	13-14	SPP 13B	1731020213	
SPP 14G	1731020114	14-15	SPP 14B	1731020214	
SPP 15G	1731020115	15-16	SPP 15B	1731020215	
SPP 16G	1731020116	16-17	SPP 16B	1731020216	
		■ ■			
SPP 2x2G	1731020304	2 x 2	SPP 2x2B	1731020404	10
SPP 2x3G	1731020306	2 x 3	SPP 2x3B	1731020406	
SPP 2x4G	1731020308	2 x 4	SPP 2x4B	1731020408	
SPP 2x5G	1731020310	2 x 5	SPP 2x5B	1731020410	
SPP 2x6G	1731020312	2 x 6	SPP 2x6B	1731020412	
SPP 2x7G	1731020314	2 x 7	SPP 2x7B	1731020414	
SPP 2x8G	1731020316	2 x 8	SPP 2x8B	1731020416	
		■ ■ ■			
SPP 4x2G	1731020318	4 x 2	SPP 4x2B	1731020418	10
SPP 4x3G	1731020320	4 x 3	SPP 4x3B	1731020420	
SPP 4x4G	1731020322	4 x 4	SPP 4x4B	1731020422	
SPP 4x5G	1731020324	4 x 5	SPP 4x5B	1731020424	
SPP 4x6G	1731020326	4 x 6	SPP 4x6B	1731020426	
		■			
SPP ASI G	1731021130	1 x ASI	-	-	10
SPP ASI2 G	1731021140	2 x ASI	-	-	

1

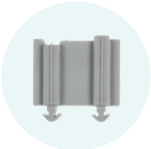


DES inserts with extended range - for cables without connectors

- ▶ Diameters from 2,5 to 14 mm
- ▶ "Blind" insert pierceable available
- ▶ Grey and black colours available
- ▶ UL94-V0 for both colours
- ▶ ATEX version on request (see sec. 7)



Double parallel membrane



Model	Code	Ø Cable min/max [mm]	Model	Code	Pcs /pack
SPP K0G	1731021100	"blind"	SPP K0B	1731023100	
SPP K1G	1731021110	2,5/7	SPP K1B	1731023110	
SPP K2G	1731021115	4,5/10	SPP K2B	1731023115	10
SPP K3G	1731021120	7,5/12,5	SPP K3B	1731023120	
SPP K4G	1731021125	9/14	SPP K4B	1731023125	

The SPP K inserts have a dual function: they can be used as "blind" inserts for future application of single cable without connector or they can be used as single grommet for one cable without connector. The cable size can be chosen between 4 solutions from 2,5 a 14 mm diameter.

The double membrane ensures the highest water and dust protection.

Technical data

Material: TPE

Flammability: self-extinguishing acc. to UL94-V0 (grey or black)

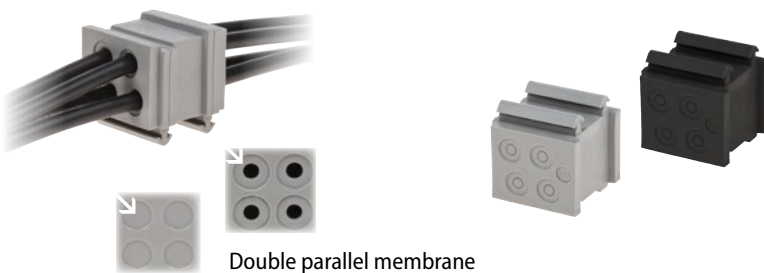
Temperature: -40°C... +110°C (static)

Features: halogens and silicones free

Related products

DES 24	DES L5	DESPRED
DES 24-90	DES L4	DESPRED 90
DES 16	DES L3	DESCCLICK
DES 10	DES L2	DESCCLICK 50
DES Q		

SPP M



Double parallel membrane

Model	Code	Cable nr. - Ø cable [mm]	Model	Code	Pcs /pack
SPP M4G	1731020504	4 – max. 6	SPP M4B	1731020604	
SPP M4bG	1731020505	2 – max. 3 2 – max. 7	SPP M4bB	1731020605	10

The SPP M inserts have a dual function: they can be used as "blind" inserts for future application of multiple cables without connector or they can be used in the DES splittable frame as multi grommets for non terminated cables.

The double membrane ensures the highest water and dust protection.



SPP F



Small inserts with threaded inserts M8 and M12

Thanks to the integrated metric thread, the SPP F series can be used as terminals for sensors, pneumatics, etc.

The items for M8 and M12 connectors are standard, other models are available on request.



Technical data

Material: TPE, brass insert

Flammability: self-extinguishing acc. to UL94-V0 (grey or black)

Temperature: -40°C... +110°C (static)

Features: halogens and silicones free

Related products

- DES 24 DES L5 DESPRED
- DES 24-90 DES L4 DESPRED 90
- DES 16 DES L3 DESCLICK
- DES 10 DES L2 DESCLICK 50
- DES Q

Model	Code	Thread	Pcs /pack
SPP F8G	1731020708	M8 x 0,5	10
SPP F12G	1731020712	M12	

IP65

NEMA 12

ECOLAB

UL94-V0

UV ISO 4892-2A

RoHS COMPLIANT

TPE

+110
-40
°C

ISP

Plugs for SPP series

► Plastic plugs for SPP inserts, from 2 to 16 mm diameter



The ISP plugs fit perfectly into the SPP insert hole restoring the water protection property of the DES splittable frames. These plugs range from 2 to 16 mm diameter.

Technical data

Material: PA

Flammability: self-extinguishing acc. to UL94-V0

Temperature: -40°C... +155°C (static)

Features: halogens and silicones free

Related products

- SPP SPP 2x SPP 4x

Model	Code	Ø Diameter [mm]	Length [mm]	Pcs /pack
ISP 2	1731040002	2	30	20
ISP 3	1731040003	3		
ISP 4	1731040004	4		
ISP 5	1731040005	5		
ISP 6	1731040006	6		
ISP 7	1731040007	7		
ISP 8	1731040008	8		
ISP 9	1731040009	9		
ISP 10	1731040010	10		
ISP 11	1731040011	11		
ISP 12	1731040012	12		
ISP 13	1731040013	13		
ISP 14	1731040014	14		
ISP 15	1731040015	15		
ISP 16	1731040016	16		

IP54

UL94-V0

UV ISO 4892-2A

RoHS COMPLIANT

PA

+155
-40
°C



Box with all SPP samples inserts

- ▶ Single hole
- ▶ Multiple
- ▶ Pierceable
- ▶ M & F
- ▶ Grey or black



Model	Code	Dimensions [mm]	Insert color	Pcs
Utility box SPP G	1736999860	370 x 300 x 90	■	1
Utility box SPP B	1736999861		■	

GREY INSERTS BOX CONTENTS				BLACK INSERTS BOX CONTENTS			
Pcs	Model	Pcs	Model	Pcs	Model	Pcs	Model
	■		■		■		■
8	0G	4	2x2G	8	0B	4	2x2B
8	K0G	4	2x3G	8	K0B	4	2x3B
4	2G	4	2x4G	4	2B	4	2x4B
4	3G	4	2x5G	4	3B	4	2x5B
4	4G	4	2x6G	4	4B	4	2x6B
8	5G	4	2x7G	8	5B	4	2x7B
8	6G	4	2x8G	8	6B	4	2x8B
8	7G		■	8	7B		■
8	8G	4	4x2G	8	8B	4	4x2B
8	9G	4	4x3G	8	9B	4	4x3B
8	10G	4	4x4G	8	10B	4	4x4B
4	11G	4	4x5G	4	11B	4	4x5B
4	12G	4	4x6G	4	12B	4	4x6B
4	13G		■	4	13B		■
4	14G	4	K1G	4	14B	4	K1B
4	15G	4	K2G	4	15B	4	K2B
4	16G	4	K3G	4	16B	4	K3B
		4	K4G			4	K4B
			■				■
		4	M4G			4	M4B

This engineering box contains 168 pcs of small SPP inserts, grey or black.

It is useful during the mounting but also during the design phase of electrical cabinets or machinery.

The full range of inserts is included.

Related products

DES 24 DES L5 DESPRED
 DES 24-90 DES L4 DESPRED 90
 DES 16 DES L3 DESCLICK
 DES 10 DES L2 DESCLICK 50
 DES Q

1



DES insert - large

- ▶ SPG: inserts for cables with and without connectors or for corrugated pipes from 17 to 35 mm diameter
- ▶ SPG K0: blind (pierceable) version
- ▶ 2 blind versions available
- ▶ UL94-V0 for both grey and black
- ▶ ATEX version on request (see sec. 7)



SPG K0

Model	Code	Ø Cable [mm]	Model	Code	Pcs /pack
SPG 0G	1731022000	"blind"	SPG 0B	1731022020	
SPG K0G	1731022300	"blind"/ pierceable Ø max. 32	SPG K0B	1731022400	
SPG 17G	1731022117	17-18	SPG 17B	1731022217	10
SPG 18G	1731022118	18-19	SPG 18B	1731022218	
SPG 19G	1731022119	19-20	SPG 19B	1731022219	
SPG 20G	1731022120	20-21	SPG 20B	1731022220	
SPG 21G	1731022121	21-22	SPG 21B	1731022221	
SPG 22G	1731022122	22-23	SPG 22B	1731022222	
SPG 23G	1731022123	23-24	SPG 23B	1731022223	
SPG 24G	1731022124	24-25	SPG 24B	1731022224	
SPG 25G	1731022125	25-26	SPG 25B	1731022225	
SPG 26G	1731022126	26-27	SPG 26B	1731022226	
SPG 27G	1731022127	27-28	SPG 27B	1731022227	
SPG 28G	1731022128	28-29	SPG 28B	1731022228	
SPG 29G	1731022129	29-30	SPG 29B	1731022229	
SPG 30G	1731022130	30-31	SPG 30B	1731022230	
SPG 31G	1731022131	31-32	SPG 31B	1731022231	
SPG 32G	1731022132	32-33	SPG32B	1731022232	
SPG 33G	1731022133	33-34	SPG33B	1731022233	
SPG 34G	1731022134	34-35	SPG34B	1731022234	

The SPG inserts are designed for cables with or without connectors or for corrugated pipes with diameter from 17 to 35 mm.

Both grey and black colors guarantee the UL94V0 self-extinguishing.

Technical data

Material: TPE

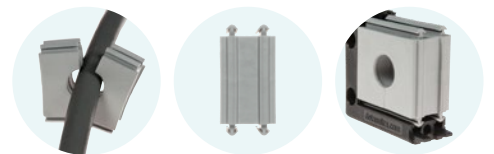
Flammability: self-extinguishing acc. to UL94-V0 (grey or black)

Temperature: -40°C... +110°C (static)

Features: halogens and silicones free

Related products

- DES 24 DES Q
- DES 24-90 DESPRED 63
- DES 16 DESPRED 90
- DES 10 DESCLICK 50

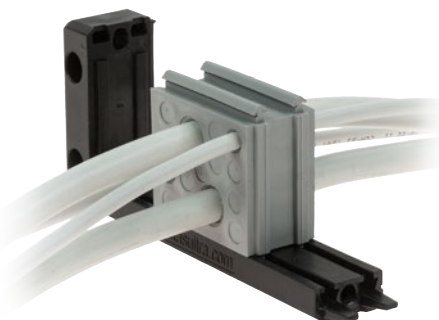
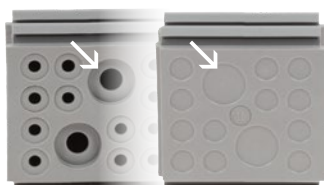




DES insert - large - for cables without connectors - double membrane

- ▶ For high number of cables without connectors
- ▶ Grey and black colours available
- ▶ UL94-V0 for both colours
- ▶ Strain relief according to EN 62444
- ▶ ATEX version on request (see sec. 7)

Double parallel membrane



Model	Code	Cable nr. - Ø cable [mm]	Pcs /pack
SPG M7G	1731022307	4 - max. 13,5 2 - max. 5 1 - max. 9,5	10
SPG M7B	1731022407		
SPG M9G	1731022309	9 - max. 8,8	
SPG M9B	1731022409		
SPG M14G	1731022314	12 - max. 6,5 2 - max. 12	
SPG M14B	1731022414		
SPG M15G	1731022315	15 - max. 7	
SPG M15B	1731022415		

The SPG M inserts enable a high number of cables to be installed in the DES splittable frames.

The cable is pushed through the front membrane, whilst the second membrane increases the strain relief and liquid resistance.

Technical data

Material: TPE

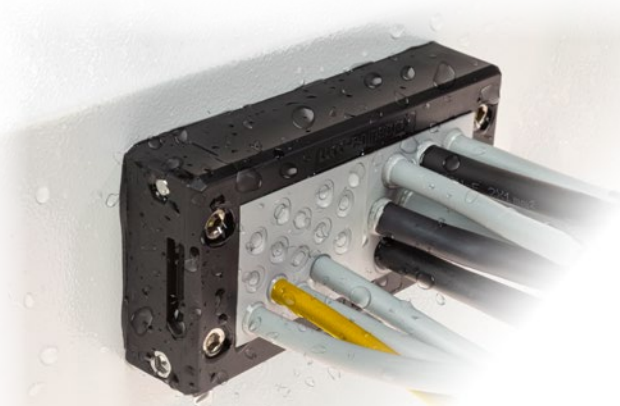
Flammability: self-extinguishing acc. to UL94-V0 (grey or black)

Temperature: -40°C... +110°C (static)

Features: halogens and silicones free

Related products

- DES 24 DES Q
- DES 24-90 DESPRED 63
- DES 16 DESPRED 90
- DES 10 DESCLICK 50



1



Inserts for DES 380 series

NEW

- ▶ Inserts for big diameter cables and corrugated pipes
- ▶ Cable diameters from 36 to 65 mm
- ▶ Grey and black colours available
- ▶ UL94-V0 for both colours
- ▶ IP54



Model	Code	Ø Cable [mm]	Model	Code	Pcs /pack
SPH 0G	1731010278	0	SPH 0B	1731010289	1
SPH 38G	1731010281	TBA	SPH 38B	1731010291	
SPH 42G	1731010282	TBA	SPH 42B	1731010292	
SPH 46G	1731010283	TBA	SPH 46B	1731010293	
SPH 50G	1731010284	47-51	SPH 50B	1731010294	
SPH 54G	1731010285	TBA	SPH 54B	1731010295	
SPH 58G	1731010286	TBA	SPH 58B	1731010296	
SPH 62G	1731010287	TBA	SPH 62B	1731010297	

SPG inserts are used in DES380M and 380MX for cables or corrugated pipes from 36 to 65 mm diameter.

They are available in grey and black color, both self extinguishing according to UI94V0.

Technical data

Material: TPE

Flammability: self-extinguishing acc. to UL94-V0 (grey or black)

Temperature: -40°C... +110°C (static)

Features: halogens and silicones free

Related products

DES 380M

DES 380MX

1



IP54

NEMA 12



ECOLAB





Cable frame with brush

- ▶ Brush frame for cables with or without connectors
- ▶ Tidy and cost effective solution
- ▶ Available in three sizes (24, 16 and 10)



Model	Code	Dimensions [mm]		Max. cut-out [mm]	Pcs /pack
		L1	L2		
DES Z 24	1731060024	146	130	112 x 39	10
DES Z 16	1731060016	120	103	86 x 39	
DES Z 10	1731060010	99	83	63 x 39	

The DES Z series is meant for the passage of cables with and without connectors, when there is no need for water tightness and strain relief.

Effective protection against dust and debris.

Technical data

Material: PC

Flammability: self-extinguishing acc. to UL94-V0

Temperature: -25°C... +80°C (static)

Features: halogens and silicones free

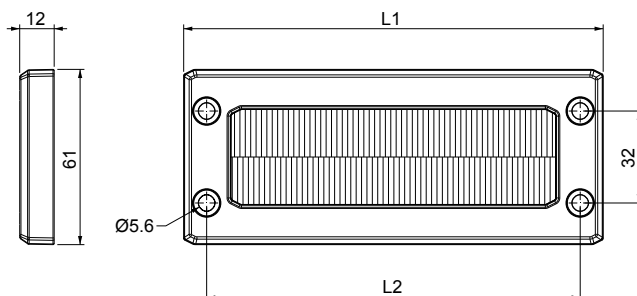
Related products

 DES Cover

Hydraulic punch driver HY360

1

Dimensions [mm]





Splittable frame with double brush

- ▶ Brush frame for cables with or without connectors
- ▶ Double brush offering increased dust protection
- ▶ 8 different models (24, 16, 10, Q, L5, L4, L3 and L2)



Model	Code	Dimensions [mm]		Max. cut-out [mm]	Pcs /pack
		L1	L2		
DES ZZ 24	1731060224	146	130	112 x 39	1
DES ZZ 16	1731060216	120	103	86 x 39	
DES ZZ 10	1731060210	99	83	63 x 39	
DES ZZ Q	1731060208	74	58	40 x 39	
DES ZZ L5	1731060205	146	130	108 x 18	
DES ZZ L4	1731060204	120	103	86 x 18	
DES ZZ L3	1731060203	99	83	63 x 18	
DES ZZ L2	1731060202	74	58	40 x 18	

The DES ZZ is a splittable frame with 2 rows of brushes.

The DES ZZ series is meant for the passage of cables with and without connectors, when there is no need for water tightness and strain relief.

Effective protection against dust and debris.

Technical data

Material: PP+GF

Flammability: self-extinguishing acc. to UL94-V0

Temperature: -25°C... +80°C (static)

Features: halogens and silicones free

Related products

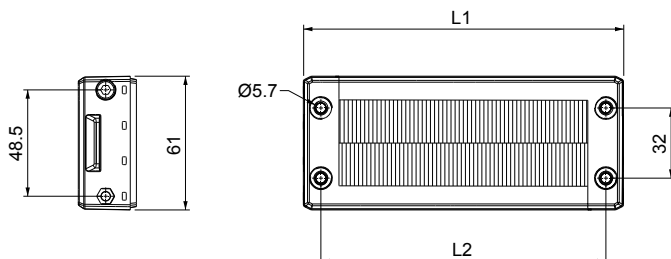
DES Flap

DES Cover

Hydraulic punch driver HY360

Upon request:	1731991020	Set of 4 mounting screws in AISI304 with Black Dacromet finishing	10
---------------	------------	---	----

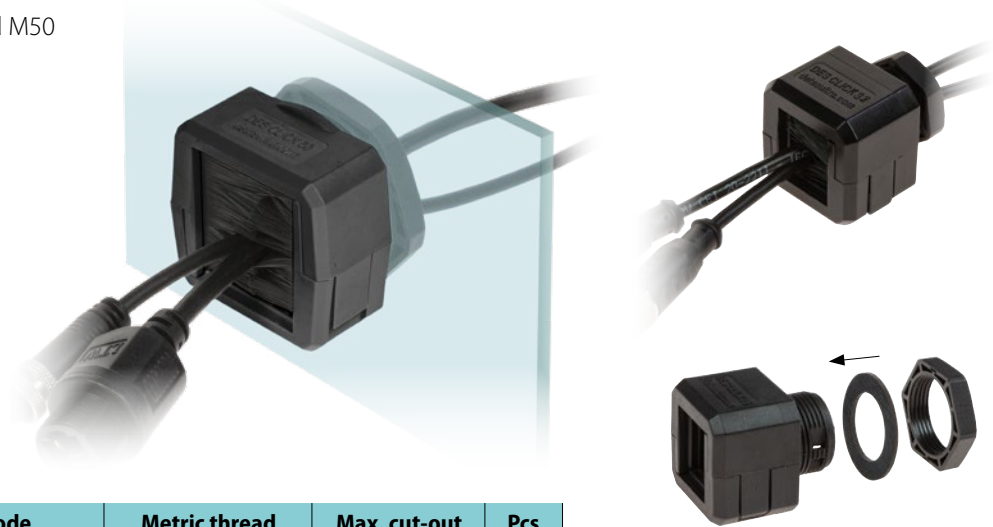
Dimensions [mm]





Splittable cable gland with single brush

- ▶ Without screws
- ▶ Metric threads M32 and M50
- ▶ Cost efficient solution
- ▶ Black version



Model	Code	Metric thread	Max. cut-out Ø [mm]	Pcs /pack
DESCCLICK Z 32	1731060332	M32 x 1,5	32,5	10
DESCCLICK Z 50	1731060350	M50 x 1,5	50,5	

DESCCLICK Z is a splittable frame with a single brush providing protection against dust and debris.

Technical data

Material: PC

Flammability: self-extinguishing acc. to UL94-V0

Temperature: -25°C... +80°C (static)

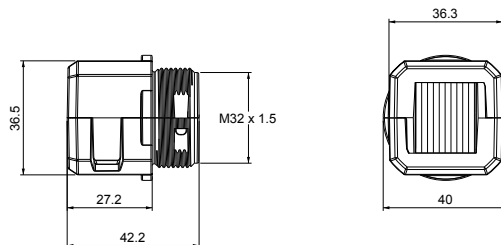
Features: halogens and silicones free

Related products

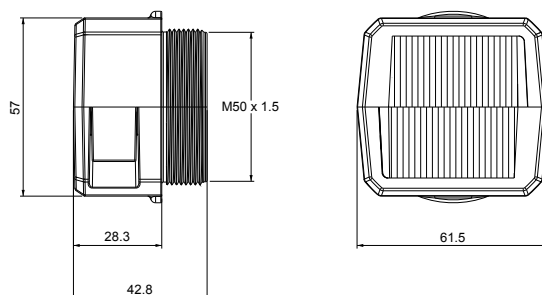
Hydraulic punch driver HY360

Dimensions [mm]

DESCCLICK Z 32



DESCCLICK Z 50





DESPRED ZZ



Splittable frame and locknut with double brush

- ▶ Double brush frame for cables with and without connectors
- ▶ Frame screws in AISI304 Stainless Steel with Black Dacromet finishing
- ▶ Metric threads M32 and M63
- ▶ Double frame offering increased dust protection



Model	Code	Thread metrico	Max. cut-out Ø [mm]	Pcs /pack
DESPRED ZZ 32	1731060232	M32 x 1,5	32,5	1
DESPRED ZZ 63	1731060263	M63 x 1,5	63,5	

DDM SUB-D9	1731052032	Special size M32 for SUB-D9		10
------------	------------	-----------------------------	--	----

DESPRED ZZ consists of a square frame with two rows of brushes.

Excellent protection is offered against dust and debris.

Technical data

Material: PP+GF

Flammability: self-extinguishing acc. to UL94-V0

Temperature: -25°C... +80°C (static)

Features: halogens and silicones free

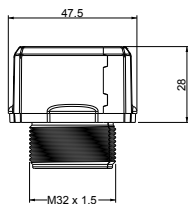
Related products

Hydraulic punch driver HY360

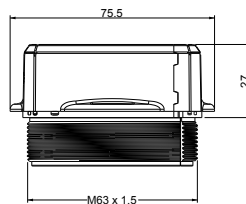
1



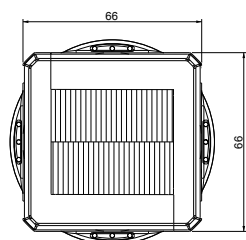
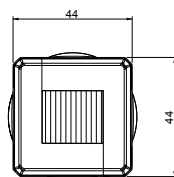
Dimensions [mm]



DESPRED ZZ 32



DESPRED ZZ 63



Group 2

Entry system for cables without connectors





DES PM 24

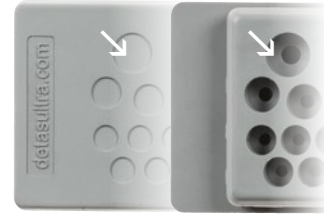


Cable entry plates with double membrane

- ▶ For large number of cables
- ▶ High retaining force thanks to the double membrane
- ▶ Cost efficient solution
- ▶ High IP grade (IP65)



Double parallel membrane



Model	Code	Cable nr. - Ø cable [mm]	Dimensions [mm]		Pcs /pack
			Cut-out	Plate	
DES PM 24/12G	1732052412	12 - max. 15	112 x 36 max. +0.5	144 x 46	10
DES PM 24/14G	1732052414	14 - max. 12,1			
DES PM 24/17G	1732052417	5 - max. 10,5 12 - max. 12,6			
DES PM 24/18G	1732052418	4 - max. 6,5 5 - max. 10,5 5 - max. 12,6 4 - max. 16,1			
DES PM 24/20G	1732052420	13 - max. 6,5 7 - max. 12,1			
DES PM 24/26G	1732052426	16 - max. 6,5 4 - max. 12,1 4 - max. 16,1 2 - cavi ASI			
DES PM 24/42G	1732052442	1 - max. 4,7 12 - max. 5 17 - max. 6,4 12 - max. 7,2			
DES PM 24/48G	1732052448	48 - max. 6,5			
DES PM 24/50G	1732052450	33 - max. 5,3 9 - max. 6,4 8 - max. 8,3			

The DES PM 24 is an alternative to standard cable glands on electrical, electronic and telecommunication cabinets and equipment.

The cable is pushed through the front membrane, whilst the second membrane increases the strain relief and liquid resistance.

Technical data

Material: TPE

Flammability: self-extinguishing acc. to UL94-V0

Temperature: -40°C... +105°C (static)

Features: halogens and silicones free

Wall thickness: from 1,5 to 2,5 mm

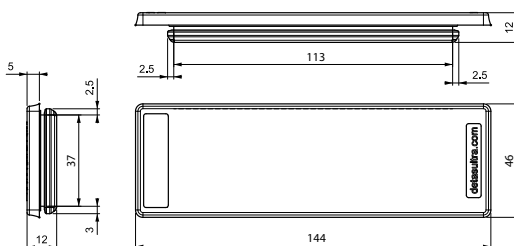
Related products

Hydraulic punch driver HY360

Plugs IFP



Dimensions [mm]



IP65

NEMA 12



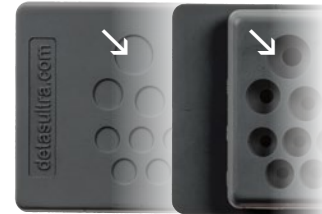


Cable entry plates with double membrane

- ▶ For large number of cables
- ▶ High retaining force thanks to the double membrane
- ▶ Cost efficient solution
- ▶ High IP grade (IP65)



Double parallel membrane



Model	Code	Cable nr. - Ø cable [mm]	Dimensions [mm]		Pcs /pack
			Cut-out	Plate	
DES PM 24/12B	1732053413	12 - max. 15	112 x 36 max. +0,5	144 x 46	10
DES PM 24/14B	1732053415	14 - max. 12,1			
DES PM 24/17B	1732053418	5 - max. 10,5 12 - max. 12,6			
DES PM 24/18B	1732053419	4 - max. 6,5 5 - max. 10,5 5 - max. 12,6 4 - max. 16,1			
DES PM 24/20B	1732053421	13 - max. 6,5 7 - max. 12,1			
DES PM 24/26B	1732053427	16 - max. 6,5 4 - max. 12,1 4 - max. 16,1 2 - cavi ASI			
DES PM 24/42B	1732053443	1 - max. 4,7 12 - max. 5 17 - max. 6,4 12 - max. 7,2			
DES PM 24/48B	1732053449	48 - max. 6,5			
DES PM 24/50B	1732053451	33 - max. 5,3 9 - max. 6,4 8 - max. 8,3			

The DES PM 24 is an alternative to standard cable glands on electrical, electronic and telecommunication cabinets and equipment.

The cable is pushed through the front membrane, whilst the second membrane increases the strain relief and liquid resistance.

Technical data

Material: TPE

Flammability: self-extinguishing acc. to UL94-V0

Temperature: -40°C... +105°C (static)

Features: halogens and silicones free

Wall thickness: from 1,5 to 2,5 mm

Related products

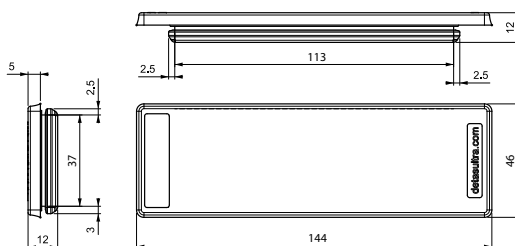
Hydraulic punch driver HY360

Plugs IFP



2

Dimensions [mm]





Cable entry plates with double membrane

- ▶ For large number of cables
- ▶ High retaining force thanks to the double membrane
- ▶ Cost efficient solution
- ▶ High IP grade (IP65)



Double parallel membrane



Model	Code	Cable nr. - Ø cable [mm]	Dimensions [mm]		Pcs /pack
			Cut-out A1xA2	Plate L1xL2	
DES PM S 46/7G	1732074607	2 - max. 6,5 5 - max. 8,3	46 x 18 max. +0,5	64 x 28	10
DES PM S 46/9G	1732074609	8 - max. 6,5 1 - max. 12,1			
DES PM S 69/8G	1732076908	8 - max. 6,5	69 x 10 max. +0,5	86 x 20	
DES PM S 86/11G	1732078611	2 - max. 6,5 9 - max. 8,35	85 x 18 max. +0,5	103 x 28	
DES PM S 86/17G	1732078617	16 - max. 6,5 1 - max. 12,1			
DES PM S 112/21G	1732071221	16 - max. 6,5 4 - max. 8,3 1 - max. 12,1	112 x 18 max. +0,5	130 x 28	

The DES PM S is an alternative to standard cable glands on electrical, electronic and telecommunication cabinets and equipment.

The cable is pushed through the front membrane, whilst the second membrane increases the strain relief and liquid resistance.

Technical data

Material: TPE

Flammability: self-extinguishing acc. to UL94-V0

Temperature: -40°C... +105°C (static)

Features: halogens and silicones free

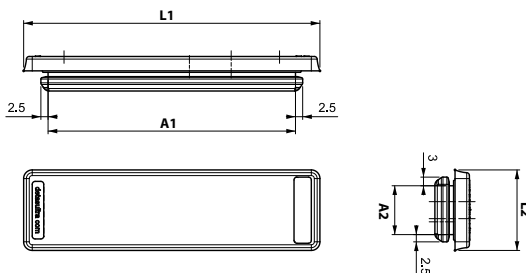
Wall thickness: from 1,5 to 2,5 mm

Related products

Plugs IFP



Dimensions [mm]



IP65

NEMA 4X

NEMA 12

ECOLAB

UL94-V0

ISO 4892-2A

RoHS COMPLIANT

TPE

+105
-40
°C



Cable entry plates with double membrane

- ▶ For large number of cables
- ▶ High retaining force thanks to the double membrane
- ▶ Cost efficient solution
- ▶ High IP grade (IP65)



Double parallel membrane



Model	Code	Cable nr. - Ø cable [mm]	Dimensions [mm]		Pcs /pack
			Cut-out A1xA2	Plate L1xL2	
DES PM S 46/7G	1732074608	2 - max. 6,5 5 - max. 8,3	46 x 18 max. +0,5	64 x 28	10
DES PM S 46/9G	1732074610	8 - max. 6,5 1 - max. 12,1			
DES PM S 69/8G	1732076909	8 - max. 6,5	69 x 10 max. +0,5	86 x 20	
DES PM S 86/11G	1732078612	2 - max. 6,5 9 - max. 8,35	85 x 18 max. +0,5	103 x 28	
DES PM S 86/17G	1732078618	16 - max. 6,5 1 - max. 12,1			
DES PM S 112/21G	1732071222	16 - max. 6,5 4 - max. 8,3 1 - max. 12,1	112 x 18 max. +0,5	130 x 28	

The DES PM S is an alternative to standard cable glands on electrical, electronic and telecommunication cabinets and equipment.

The cable is pushed through the front membrane, whilst the second membrane increases the strain relief and liquid resistance.

Technical data

Material: TPE

Flammability: self-extinguishing acc. to UL94-V0

Temperature: -40°C... +105°C (static)

Features: halogens and silicones free

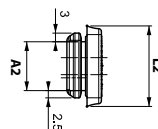
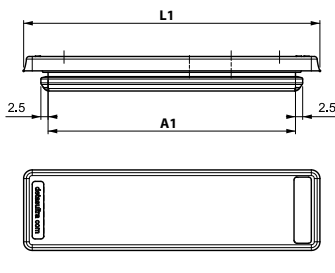
Wall thickness: from 1,5 to 2,5 mm

Related products

Plugs IFP



Dimensions [mm]



IP65

NEMA 4X

NEMA 12

ECOLAB

UL94-V0

UV ISO 4892-2A

RoHS COMPLIANT

TPE

+105
-40
°C



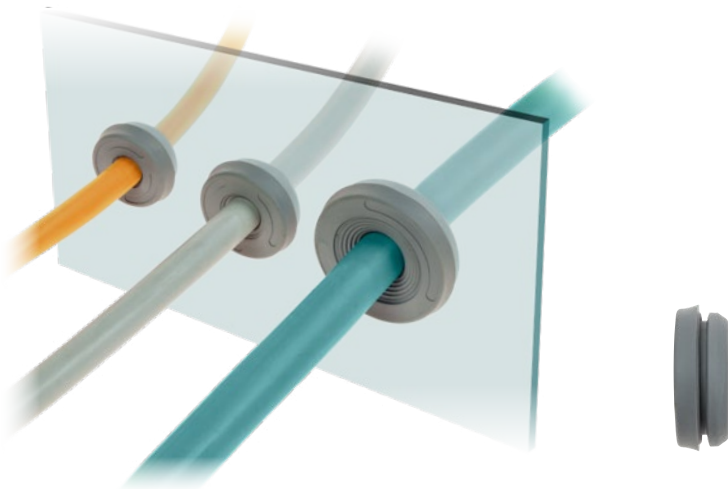
DES PMU



Round cable entry plates with double membrane for single cable

- ▶ Metric sizes
- ▶ Quick to install
- ▶ Cost efficient solution
- ▶ High IP grade (IP66-67)
- ▶ Reduced thickness

Double parallel membrane



Model	Code	Cable nr. - Ø cable [mm]	Dimensions [mm]		Pcs /pack
			Ø Cut-out	Ø Plate	
DES PMU 16G	1732060116	1 - max. 10	16,5	24	10
DES PMU 20G	1732060120	1 - max. 13	20,5	29	
DES PMU 25G	1732060125	1 - max. 15	25,4	34	
DES PMU 32G	1732260132	1 - max. 22	32,5	40	
DES PMU 16B	1732061116	1 - max. 10	16,5	24	
DES PMU 20B	1732061120	1 - max. 13	20,5	29	
DES PMU 25B	1732061125	1 - max. 15	25,4	34	
DES PMU 32B	1732261132	1 - max. 22	32,5	40	

The round metric DES PMU is a single cable alternative to standard cable glands on electrical, electronic and telecommunication cabinets and equipment.

The cable is pushed through the front membrane, whilst the second membrane increases the strain relief and liquid resistance.

Technical data

Material: TPE

Flammability: self-extinguishing acc. to UL94-V0

Temperature: -40°C... +105°C (static)

Features: halogens and silicones free

Wall thickness: from 1,5 to 2,5 mm

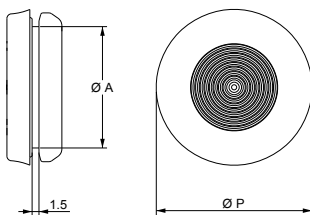
Related products

Hydraulic punch driver HY360

Plugs IFP

2

Dimensions [mm]



up to
IP66
IP67

NEMA
4X

NEMA
12



ECOLAB

UL94-V0



ISO 4892-2A

RoHS
COMPLIANT

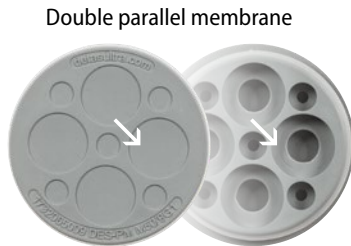


+105
-40
°C



Round cable entry plates with double membrane

- ▶ For large number of cables
- ▶ High retaining force thanks to the double membrane
- ▶ Cost efficient solution
- ▶ High IP grade (IP65)
- ▶ Metric sizes



Model	Code	Cable nr. - Ø cable [mm]	Dimensions [mm]		Pcs /pack
			Ø Cut-out	Ø Plate	
DES PM M 25/4G	type 1: 1732062504	4 - max. 8	min.: 25 max.: 26 recomm.: 25,5	34	10
DES PM M 25/6G	type 1: 1732062506	4 - max. 5,2 2 - max. 9,4			
DES PM M 32/10G	type 1: 1732063210 type 2: 1732263210	6 - max. 5,2 2 - max. 6,4 2 - max. 9,4	min.: 32 max.: 33 recomm.: 32,5	40	
DES PM M 50/9G	type 1: 1732065009	5 - max. 7 4 - max. 18,3			
DES PM M 50/11G	type 1: 1732065011	7 - max. 7 3 - max. 11,4 1 - max. 22			
DES PM M 50/12G	type 1: 1732065012 type 2: 1732265012	10 - max. 9 2 - max. 11,4	min.: 50 max.: 51 recomm.: 50,5	62	
DES PM M 50/15G	type 1: 1732065015	2 - max. 6 4 - max. 7,2 4 - max. 9,7 5 - max. 12			
DES PM M 50/17G	type 1: 1732065017	5 - max. 5,5 5 - max. 6,5 3 - max. 9,7 4 - max. 11,4			
DES PM M 50/20G	type 1: 1732065020	16 - max. 6,5 4 - max. 9,7			

The round metric DES PM M is an alternative to standard cable glands on electrical, electronic and telecommunication cabinets and equipment.

The cable is pushed through the front membrane, whilst the second membrane increases the strain relief and liquid resistance.

Technical data

Material: TPE

Flammability: self-extinguishing acc. to UL94-V0

Temperature: -40°C... +105°C (static)

Features: halogens and silicones free

Type 1: wall thickness from 1,5 to 2,5 mm

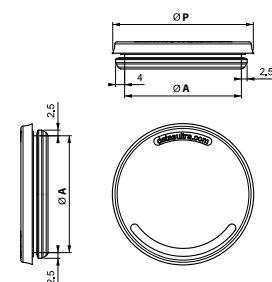
Type 2: wall thickness from 2,8 to 4 mm

Related products

Hydraulic punch driver HY360

Plugs IFP

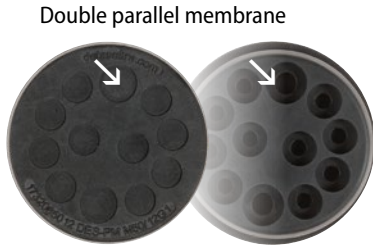
Dimensions [mm]





Round cable entry plates with double membrane

- ▶ For large number of cables
- ▶ High retaining force thanks to the double membrane
- ▶ Cost efficient solution
- ▶ High IP grade (IP65)
- ▶ Metric sizes



Model	Code	Cable nr. - Ø cable [mm]	Dimensions [mm]		Pcs /pack
			Ø Cut-out	Ø Plate	
DES PM M 25/4B	type 1: 1732063505	4 - max. 8	min.: 25 max.: 26 recomm.: 25,5	34	10
DES PM M 25/6B	type 1: 1732063507	4 - max. 5,2 2 - max. 9,4			
DES PM M 32/10B	type 1: 1732064211 type 2: 1732264211	6 - max. 5,2 2 - max. 6,4 2 - max. 9,4	min.: 32 max.: 33 recomm.: 32,5	40	10
DES PM M 50/9B	type 1: 1732066010	5 - max. 7 4 - max. 18,3			
DES PM M 50/11B	type 1: 1732066012	7 - max. 7 3 - max. 11,4 1 - max. 22			
DES PM M 50/12B	type 1: 1732066013 type 2: 1732266013	10 - max. 9 2 - max. 11,4			
DES PM M 50/15B	type 1: 1732066016	2 - max. 6 4 - max. 7,2 4 - max. 9,7 5 - max. 12	min.: 50 max.: 51 recomm.: 50,5	62	10
DES PM M 50/17B	type 1: 1732066018	5 - max. 5,5 5 - max. 6,5 3 - max. 9,7 4 - max. 11,4			
DES PM M 50/20B	type 1: 1732066021	16 - max. 6,5 4 - max. 9,7			

The round metric DES PM M is an alternative to standard cable glands on electrical, electronic and telecommunication cabinets and equipment.

The cable is pushed through the front membrane, whilst the second membrane increases the strain relief and liquid resistance.

Technical data

Material: TPE

Flammability: self-extinguishing acc. to UL94-V0

Temperature: -40°C... +105°C (static)

Features: halogens and silicones free

Type 1: wall thickness from 1,5 to 2,5 mm

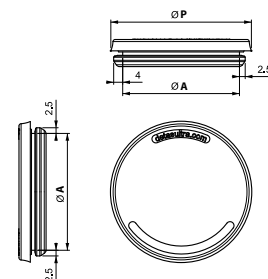
Type 2: wall thickness from 2,8 to 4 mm

Related products

Hydraulic punch driver HY360

Plugs IFP

Dimensions [mm]



IP65

NEMA 12



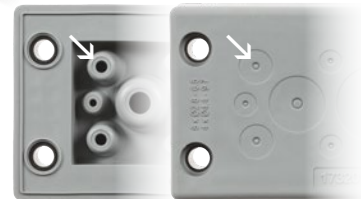


Cable entry plates with internal frame and double membrane

- ▶ For large number of cables without connectors
- ▶ High strain relief thanks to the double membrane
- ▶ Cost efficient solution
- ▶ IP66 and Nema 4X certified
- ▶ ATEX version on request (see sec. 7)
- ▶ Threaded inserts or plastic rivets version on request



Double parallel membrane



Model	Code	Cable nr. - Ø cable min/max [mm]	Dimensions [mm]		Pcs /pack
			Cut-out	Plate	
DES PDM 24/14G	1732012414	10 - 2,8 / 6,5 4 - 14,5 / 22	112 x 36	148,6 x 59,6	10
DES PDM 24/15G	1732012415	15 - 6,8 / 12			
DES PDM 24/16G	1732012416	8 - 2,8 / 6,5 4 - 4,4 / 9,7 2 - 8,6 / 16,2 2 - 14,5 / 22			
DES PDM 24/17G	1732012417	6 - 2,8 / 6,5 6 - 4,6 / 10,2 5 - 8,6 / 16,2			
DES PDM 24/25G	1732012425	12 - 2,8 / 6,5 7 - 4,4 / 9,7 6 - 6,8 / 12			
DES PDM 24/32G	1732012432	21 - 2,8 / 6,5 8 - 4,6 / 10,2 3 - 6,8 / 12			
DES PDM 24/42G	1732012442	42 - 2,8 / 6,5			

The DES PDM 24 is an innovative alternative to standard cable glands on electrical, electronic and telecommunication cabinets and equipment.

The cable is pushed through the front membrane, whilst the second membrane increases the strain relief and liquid resistance.

Technical data

Material: TPE

Flammability: self-extinguishing acc. to UL94-V0

Temperature: -40°C... +105°C (static)

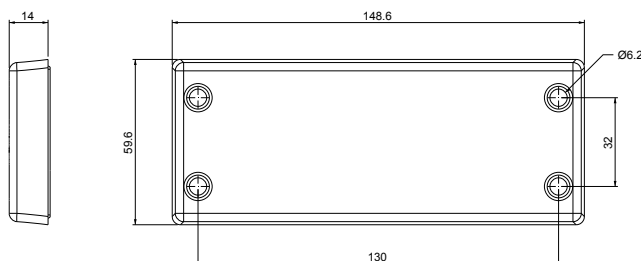
Features: halogens and silicones free

Related products

Hydraulic punch driver HY360

Plugs IFP

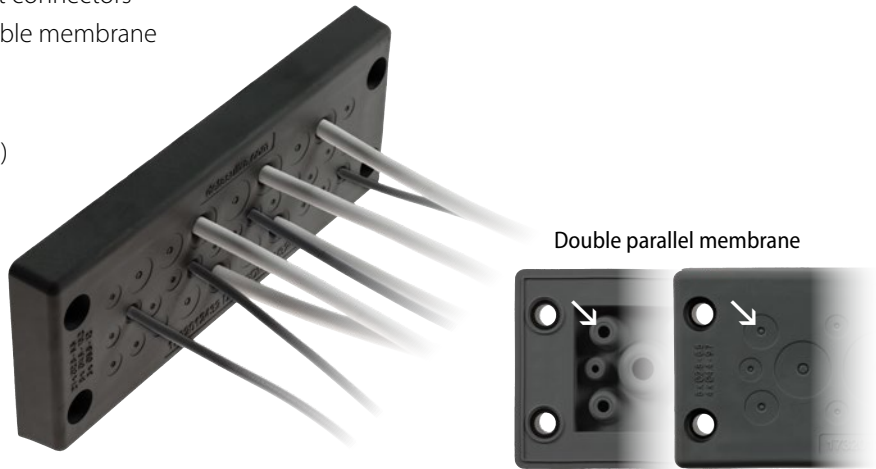
Dimensions [mm]





Cable entry plates with internal frame and double membrane

- ▶ For large number of cables without connectors
- ▶ High strain relief thanks to the double membrane
- ▶ Cost efficient solution
- ▶ IP66 and Nema 4X certified
- ▶ ATEX version on request (see sec. 7)
- ▶ Threaded inserts or plastic rivets version on request



Model	Code	Cable nr.	Dimensions [mm]		Pcs /pack
			- Ø cable min/max [mm]	Cut-out	
DES PDM 24/14B	1732013415	10 - 2,8 / 6,5 4 - 14,5 / 22	112 x 36	148,6 x 59,6	10
DES PDM 24/15B	1732013416	15 - 6,8 / 12			
DES PDM 24/16B	1732013417	8 - 2,8 / 6,5			
		4 - 4,4 / 9,7			
		2 - 8,6 / 16,2			
		2 - 14,5 / 22			
DES PDM 24/17B	1732013418	6 - 2,8 / 6,5 6 - 4,6 / 10,2 5 - 8,6 / 16,2			
DES PDM 24/25B	1732013426	12 - 2,8 / 6,5 7 - 4,4 / 9,7 6 - 6,8 / 12			
DES PDM 24/32B	1732013433	21 - 2,8 / 6,5 8 - 4,6 / 10,2 3 - 6,8 / 12			
DES PDM 24/42B	1732013443	42 - 2,8 / 6,5			

I passacavi DES PDM 24 sono un'alternativa economica ed affidabile ai normali pressacavi industriali.

Dopo aver forato leggermente la membrana frontale, il cavo delle dimensioni richieste viene spinto attraverso la parete dove la seconda membrana permette una maggior tenuta meccanica e fluidica.

Technical data

Material: TPE

Flammability: self-extinguishing acc. to UL94-V0

Temperature: -40°C... +105°C (static)

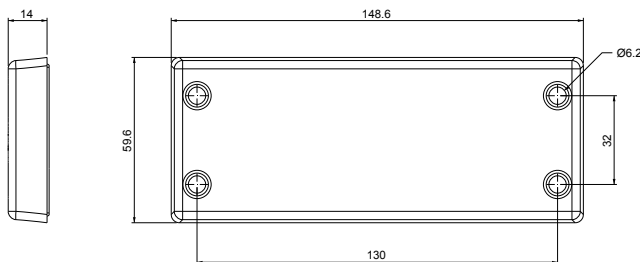
Features: halogens and silicones free

Related products

Hydraulic punch driver HY360

Plugs IFP

Dimensions [mm]



IP66

NEMA 4X

NEMA 12



ECOLAB

UL94-V0

ISO 4892-2A

RoHS COMPLIANT

TPE

+105
-40
°C





Cable entry plates with internal frame and double membrane

- ▶ For several number of cables in a limited space
- ▶ High strain relief thanks to the double membrane
- ▶ Cost efficient solution
- ▶ High IP grade (IP65)
- ▶ ATEX version on request (see sec. 7)
- ▶ Threaded inserts or plastic rivets version on request



Double parallel membrane



Model	Code	Cable nr. - Ø cable min/max [mm]	Dimensions [mm]		Pcs /pack
			Cut-out	Plate	
DES PDM S 112/7G	1732021127	7 - 6,8 / 12	112x18	150x32	10
DES PDM S 112/22G	1732021122	22 - 3,2 / 6,5			
DES PDM S 112/7B	1732022127	7 - 6,8 / 12			
DES PDM S 112/22B	1732022122	22 - 3,2 / 6,5			

The DES PDM S is an innovative alternative to standard cable glands on electrical, electronic and telecommunication cabinets and equipment.

The cable is pushed through the front membrane, whilst the second membrane increases the strain relief and liquid resistance.

Technical data

Material: TPE

Flammability: self-extinguishing acc. to UL94-V0

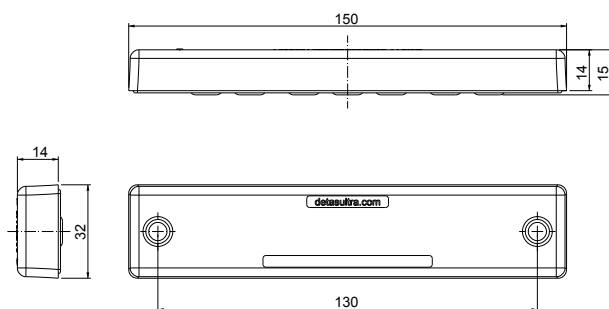
Temperature: -40°C... +105°C (static)

Features: halogens and silicones free

Related products

Plugs IFP

Dimensions [mm]



IP66

NEMA 12



UL94-V0



RoHS COMPLIANT



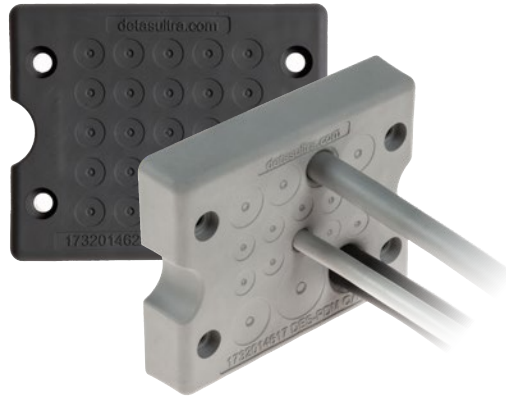
+105
-40
°C



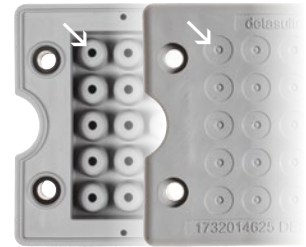


Cable entry plates with internal frame and double membrane

- ▶ For large number of cables without connectors
- ▶ High strain relief thanks to the double membrane
- ▶ Cost efficient solution
- ▶ IP66 and Nema 4X certified
- ▶ ATEX version on request (see sec. 7)
- ▶ Threaded inserts or plastic rivets version on request



Double parallel membrane



Model	Code	Cable nr. - Ø cable min/max [mm]	Dimensions [mm]		Pcs /pack
			Cut-out	Plate	
DES PDM Q 13G	1732014613	8 - 2,8 / 6,5 4 - 4,6 / 10,2 1 - 14,5 / 22	46 x 46	74x60	10
DES PDM Q 17G	1732014617	10 - 2,8 / 6,5 4 - 4,6 / 10,2 2 - 6,8 / 12 1 - 8,6 / 16,2			
DES PDM Q 25G	1732014625	25 - 2,8 / 6,5			
DES PDM Q 13B	1732015614	8 - 2,8 / 6,5 4 - 4,6 / 10,2 1 - 14,5 / 22			
DES PDM Q 17B	1732015618	10 - 2,8 / 6,5 4 - 4,6 / 10,2 2 - 6,8 / 12 1 - 8,6 / 16,2			
DES PDM Q 25B	1732015626	25 - 2,8 / 6,5			

The DES PDM Q is an innovative alternative to standard cable glands on electrical, electronic and telecommunication cabinets and equipment.

The cable is pushed through the front membrane, whilst the second membrane increases the strain relief and liquid resistance.

Technical data

Material: TPE

Flammability: self-extinguishing acc. to UL94-V0

Temperature: -40°C... +105°C (static)

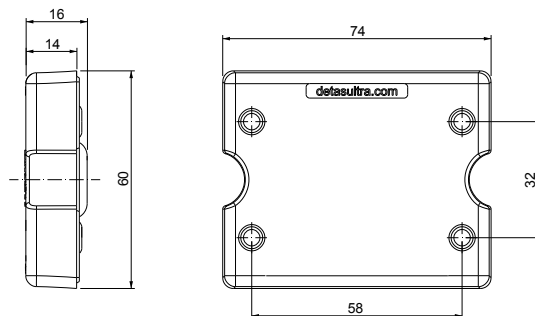
Features: halogens and silicones free

Related products

Hydraulic punch driver HY360

Plugs IFP

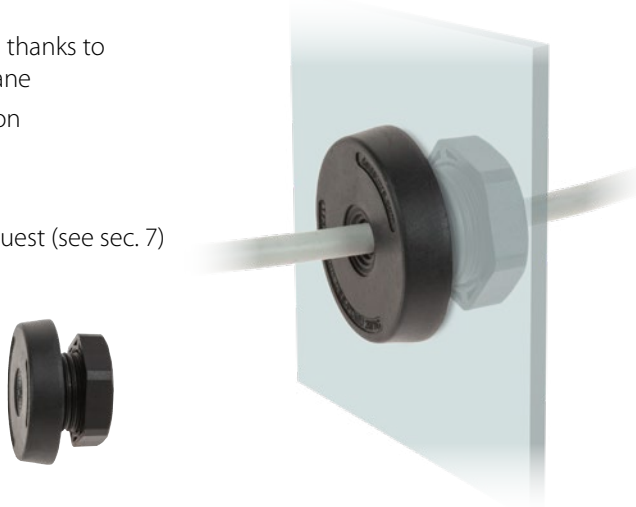
Dimensions [mm]





Round cable entry plates for single cable - internal frame and double membrane

- ▶ Metric sized
- ▶ High retaining force thanks to the double membrane
- ▶ Cost efficient solution
- ▶ High IP grade (IP66)
- ▶ Reduced thickness
- ▶ ATEX version on request (see sec. 7)



Double parallel membrane



Model	Code	Cable nr. - Ø cable [mm]	Dimensions [mm]			Pcs /pack
			Thread	Ø Cut-out	Ø Plate	
DES PDMU 20G	1732030120	1 - max. 10,5	M20	20,5	36	10
DES PDMU 25G	1732030125	1 - max. 16	M25	25,5	40	
DES PDMU 32G	1732030132	1 - max. 22	M32	32,5	46	
DES PDMU 20B	1732031120	1 - max. 10,5	M20	20,5	36	
DES PDMU 25B	1732031125	1 - max. 16	M25	25,5	40	
DES PDMU 32B	1732031132	1 - max. 22	M32	32,5	46	

The cable entry plates series DES PDMU are used to save space and time as alternative to cable glands. They use the metric holes on cabinets or machinery and the nutlock guarantees a strong strain relief and highest water and dust protection.

The cable is pushed through the front membrane, whilst the second membrane increases the strain relief and liquid resistance.

Technical data

Material: TPE

Flammability: self-extinguishing acc. to UL94-V0

Temperature: -40°C... +105°C (static)

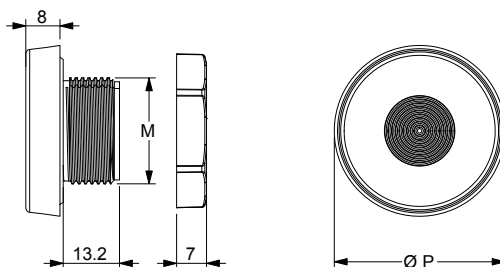
Features: halogens and silicones free

Related products

Hydraulic punch driver HY360

Plugs IFP

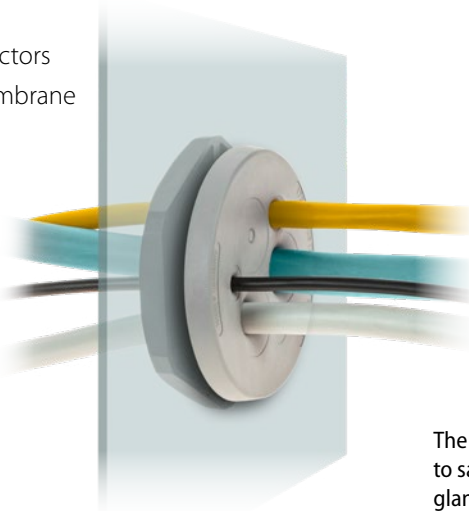
Dimensions [mm]





Round cable entry plates with internal frame and double membrane

- ▶ Metric sized
- ▶ For large number of cables without connectors
- ▶ High strain relief thanks to the double membrane
- ▶ Cost efficient solution
- ▶ High IP grade (IP66-68)
- ▶ ATEX version on request (see sec. 7)
- ▶ Locknut included



Double parallel membrane



The cable entry plates series DES PDMU are used to save space and time as alternative to cable glands. They use the metric holes on cabinets or machinery and the nutlock guarantees a strong strain relief and highest water and dust protection.

The cable is pushed through the front membrane, whilst the second membrane increases the strain relief and liquid resistance.

Technical data

Material: TPE

Flammability: self-extinguishing acc. to UL94-V0

Temperature: -40°C... +105°C (static)

Features: halogens and silicones free

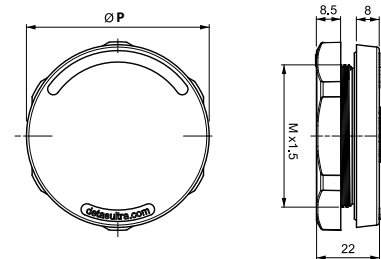
Related products

Hydraulic punch driver HY360

Plugs IFP



Dimensions [mm]



Model	Code	Cable nr. - Ø cable min/max [mm]	Thread x1.5	Dimensions		Pcs /pack
				Ø P [mm]		
DES PDM M32/4G	1732033204	3 - 2,6 / 6,5 1 - 5,5 / 12,5	M32	46	10	
DES PDM M32/4-2G	1732033242	4 - 3,5 / 8,8				
DES PDM M32/7G	1732033207	7 - 2,6 / 6,5				
DES PDM M40/8G	1732034008	4 - 2,6 / 6,5 4 - 4 / 10,2	M40	54		
DES PDM M50/8G	1732035008	5 - 4,6 / 10,2 3 - 6,8 / 12,5	M50	64		
DES PDM M50/10G	1732035010	7 - 2,8 / 6,5 2 - 4,6 / 10,2 1 - 14,5 / 22				
DES PDM M50/12G	1732035012	4 - 2,8 / 6,5 8 - 4,6 / 10,2				
DES PDM M50/19G	1732035019	19 - 2,8 / 6,5				
DES PDM M63/6G	1732036306	3 - 4,6 / 10,2 3 - 10,9 / 20	M63	77		
DES PDM M63/9G	1732036309	1 - 2,6 / 6 3 - 4,6 / 10,2 4 - 8,6 / 16,2 1 - 10,9 / 20				
DES PDM M63/13G	1732036313	4 - 2,8 / 6 4 - 4,6 / 10,2 5 - 9,5 / 16,2				
DES PDM M63/14G	1732036314	14 - 5 / 10				
DES PDM M63/35G	1732036335	35 - 2,6 / 5,5				



IP66
IP68

NEMA
4X

NEMA
12



ECOLAB

UL94-V0

ISO 4892-2A

RoHS
COMPLIANT

TPE

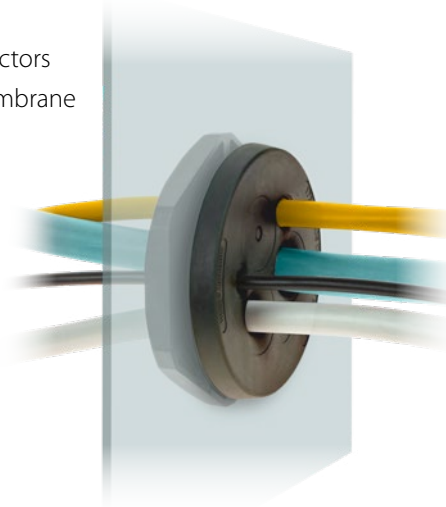
+105
-40
°C





Round cable entry plates with internal frame and double membrane

- ▶ Metric sized
- ▶ For large number of cables without connectors
- ▶ High strain relief thanks to the double membrane
- ▶ Cost efficient solution
- ▶ High IP grade (IP66-68)
- ▶ ATEX version on request (see sec. 7)
- ▶ Locknut included



Double parallel membrane



Model	Code	Cable nr. - Ø cable min/max [mm]	Thread x1.5	Dimensions		Pcs /pack
				Ø P [mm]		
DES PDM M32/4B	1732034205	3 - 2,6 / 6,5 1 - 5,5 / 12,5	M32	46		10
DES PDM M32/4-2B	1732034252	4 - 3,5 / 8,8				
DES PDM M32/7B	1732034208	7 - 2,6 / 6,5				
DES PDM M40/8B	1732035009	4 - 2,6 / 6,5 4 - 4 / 10,2	M40	54		
DES PDM M50/8B	1732036009	5 - 4,6 / 10,2 3 - 6,8 / 12,5	M50	64		
DES PDM M50/10B	1732036011	7 - 2,8 / 6,5 2 - 4,6 / 10,2 1 - 14,5 / 22				
DES PDM M50/12B	1732036013	4 - 2,8 / 6,5 8 - 4,6 / 10,2				
DES PDM M50/19B	1732036020	19 - 2,8 / 6,5				
DES PDM M63/6B	1732037307	3 - 4,6 / 10,2 3 - 10,9 / 20	M63	77		
DES PDM M63/9B	1732037310	1 - 2,6 / 6 3 - 4,6 / 10,2 4 - 8,6 / 16,2 1 - 10,9 / 20				
DES PDM M63/13B	1732037314	4 - 2,8 / 6 4 - 4,6 / 10,2 5 - 9,5 / 16,2				
DES PDM M63/14B	1732037315	14 - 5 / 10				
DES PDM M63/35B	1732037336	35 - 2,6 / 5,5				

The cable entry plates series DES PDMU are used to save space and time as alternative to cable glands. They use the metric holes on cabinets or machinery and the nutlock guarantees a strong strain relief and highest water and dust protection.

The cable is pushed through the front membrane, whilst the second membrane increases the strain relief and liquid resistance.

Technical data

Material: TPE

Flammability: self-extinguishing acc. to UL94-V0

Temperature: -40°C... +105°C (static)

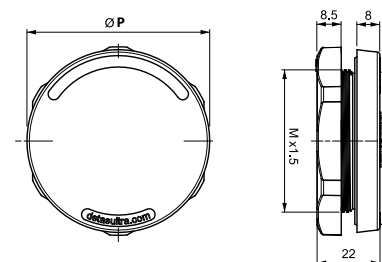
Features: halogens and silicones free

Related products

Hydraulic punch driver HY360

Plugs IFP

Dimensions [mm]



IP66
IP68

NEMA
4X

NEMA
12



ECOLAB

UL94-V0



RoHS
COMPLIANT



+105
-40
°C





DES PDM KN



Cable entry plate - large frame and double membrane

- ▶ For up to 72 cables without connectors
- ▶ High strain relief thanks to the double membrane
- ▶ Cost efficient solution
- ▶ High IP grade (IP66)
- ▶ ATEX version on request (see sec. 7)



Model	Code	Cable nr. - Ø cable min/max [mm]	Dimensions [mm]		Pcs /pack
			Cut-out	Plate	
DES PDM KN 72G	1732040072	42 - 2,8 / 6,5 21 - 4,6 / 10,2 6 - 8,6 / 16,2 3 - 14,5 / 22	192 x 62	221 x 90	1
DES PDM KN 72B	1732041073				

The DES PDM KN is an alternative solution to standard cable glands on electrical, electronic and telecommunication cabinets and equipment.

The cable is pushed through the front membrane, whilst the second membrane increases the strain relief and liquid resistance.

Technical data

Material: TPE

Flammability: self-extinguishing acc. to UL94-V0

Temperature: -40°C... +105°C (static)

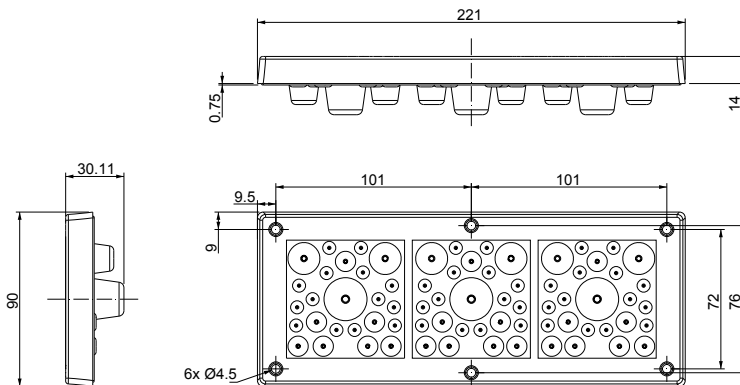
Features: halogens and silicones free

Related products

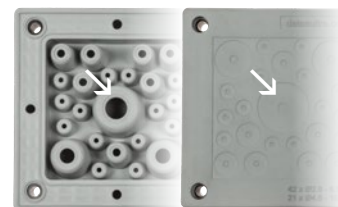
Plugs IFP

2

Dimensions [mm]



Double parallel membrane



IP66

NEMA
12



ECOLAB

UL94-V0

UV
ISO 4892-2A

RoHS
COMPLIANT

TPE

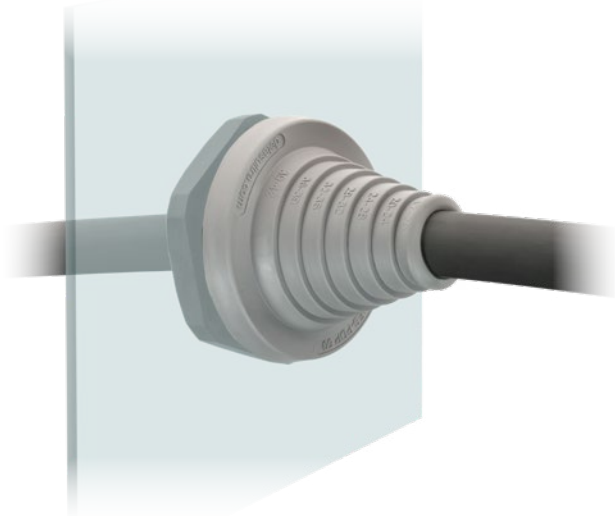
+105
-40
°C











Round base, cone-shaped cable entry plate with locknut

- ▶ For diameters from 8 to 55 mm
- ▶ Reinforcing base plate
- ▶ Cost efficient solution
- ▶ UL94-V0 for grey and black
- ▶ ATEX version on request (see sec. 7)



Model	Code	Cable nr. - Ø cable min/max [mm]	Thread x 1,5	Dimensions [mm]			Pcs /pack
				Cut-out	Ø P	H	
 DES PDP 40G	1732050040	1 - 8 / 29	M40	40,5	54	62	10
 DES PDP 50G	1732050050	1 - 17 / 42	M50	50,5	64	50	
 DES PDP 63G	1732050063	1 - 23 / 55	M63	63,5	77	62	
 DES PDP 40B	1732052040	1 - 8 / 29	M40	40,5	54	62	
 DES PDP 50B	1732052050	1 - 17 / 42	M50	50,5	64	50	
 DES PDP 63B	1732052063	1 - 23 / 55	M63	63,5	77	62	

The DES PDP is available in M40, M50 and M63 sizes, enabling non-terminated cables with diameter from 8 to 55mm to pass through the walls of the electrical cabinets.

The reinforcing base plate increases the stability when large cables are used.

Technical data

Material: TPE

Flammability: self-extinguishing acc. to UL94-V0

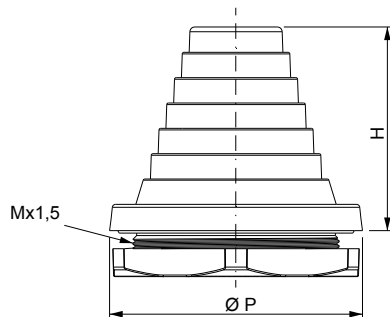
Temperature: -40°C... +105°C (static)

Features: halogens and silicones free

Related products

Hydraulic punch driver HY360

Dimensions [mm]





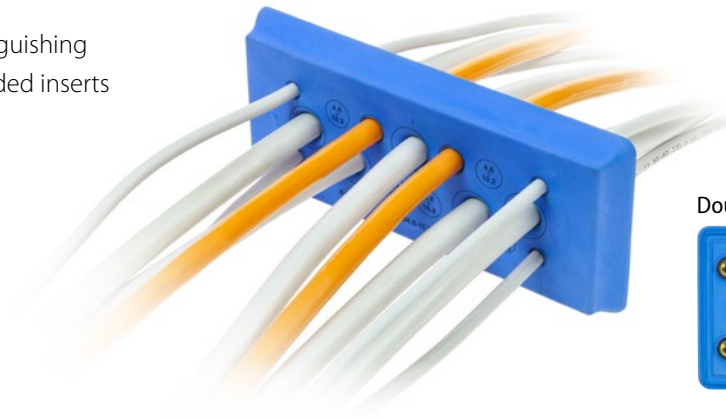
DES PDM 24 CLEAN



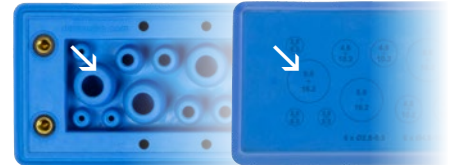
Cable entry plate for Food&Pharma applications

NEW

- ▶ For large number cables without connectors
- ▶ Internal reinforcing frame
- ▶ Rounded edges
- ▶ UL94V0 self extinguishing
- ▶ Fixing with threaded inserts
- ▶ IP66 / Nema 4X



Double parallel membrane



Model	Code	Cable nr. - Ø cable min/max [mm]	Dimensions [mm]		Pcs /pack
			Cut-out	Plate	
DES PDM 24/17 CLEAN	1732025017	6 - 2,8 / 6,5 6 - 4,6 / 10,2 5 - 8,6 / 16,2	112 x 36	155 x 66	1

The DES PDM 24 CLEAN family is mainly used in the food&pharma production chain thanks to the rounded shape without edges which avoids dirt accumulation and allows frequent washing.

Fixing takes place through hidden threaded inserts that ensure perfect stability of the plate even after countless washes.

The holes location is guided by a laser printing which guarantees the front clean area during the operation.

The first front membrane is lightly drilled with a small screwdriver, while the second parallel membrane acts as a reinforcement, ensuring a very high strain relief and water resistance.

Technical data

Material: TPE

Flammability: self-extinguishing acc. to UL94-V0

Temperature: -40°C... +105°C (static)

Features: halogens and silicones free

Related products

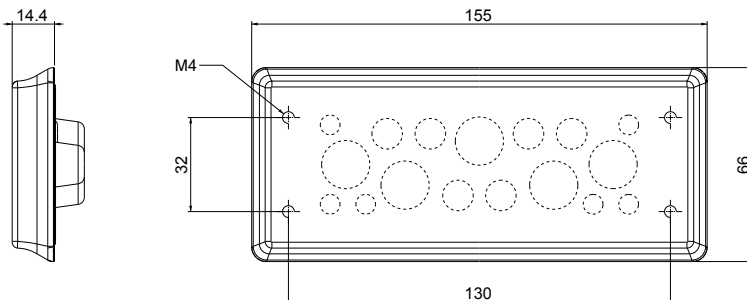
Hydraulic punch driver HY360

Plugs IFP

FVM metal detachable cable ties

2

Dimensions [mm]



IP66

NEMA 4X



ECOLAB





Plugs for cable entry plates

► Plugs for holes with diameter from 4,5 to 22,5 mm



Model	Code	Ø Hole [mm]	Dimensions [mm]			Pcs /pack
			A	B	C	
IFP 5G	1732070002	4,5 - 8,0	5,5	12,5	10,0	10
IFP 9G	1732070004	8,0 - 12,0	9,5	16,0	13,5	
IFP 12G	1732070006	12,0 - 16,0	12,0	16,5	16,5	
IFP 16G	1732070008	16,0 - 19,0	16,0	19,5	20,5	
IFP 20G	1732070010	20,0 - 22,5	20,0	21,5	24,5	
IFP 5B	1732070012	4,5 - 8,0	5,5	12,5	10,0	
IFP 9B	1732070014	8,0 - 12,0	9,5	16,0	13,5	
IFP 12B	1732070016	12,0 - 16,0	12,0	16,5	16,5	
IFP 16B	1732070018	16,0 - 19,0	16,0	19,5	20,5	

The IFP inserts fit into the holes of the cable entry plates so that they can be used many times. They range from 4,5 to 22,5 mm diameter.

Technical data

Material: PA6

Flammability: UL94-HB

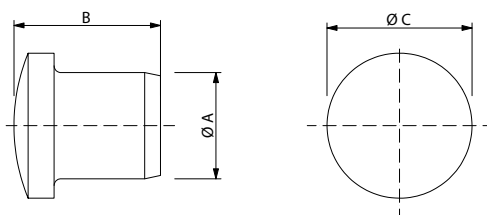
Temperature: -30°C... +100°C (static)

Features: halogens and silicones free

Related products

DES PM SPP K
 DES PDM SPP M
 SPG K
 SPG M

Dimensions [mm]



Group 3

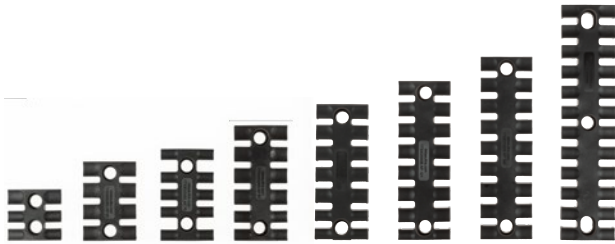
Strain relief modules





Strain relief modules - screw fixing

- ▶ Modules also available with aluminum or brass bushings
- ▶ Strain relief acc. to EN 62444
- ▶ Easy to install
- ▶ Cost efficient solution
- ▶ UL94-V0



Modules without bushings					
Model	Code	Dimensions [mm]		Teeth	Pcs /pack
		L1	L2		
AP 39	1733020003	38,5	19,5	3	10
AP 60	1733020004	59,5	43,5	4	
AP 70	1733020005	69,1	43,5	5	
AP 87	1733020006	86,5	68	6	
AP 103	1733020007	102,5	84	7	
AP 121	1733020008	121	102,5	8	
AP 140	1733020009	139,5	121	9	
AP 180	1733020010	180	157	12	

The AP modules are used in electrical switchboards and equipment in order to keep the cables tidy whilst providing strain relief according to EN 62444.

The cables can be fixed with standard plastic ties or reusable velcro ties.

Spacers are available for multi-tier applications.

Technical data

Material: Polyamide (PA)

Flammability: self-extinguishing acc. to UL94-V0

Temperature: -40°C... +140°C (static)

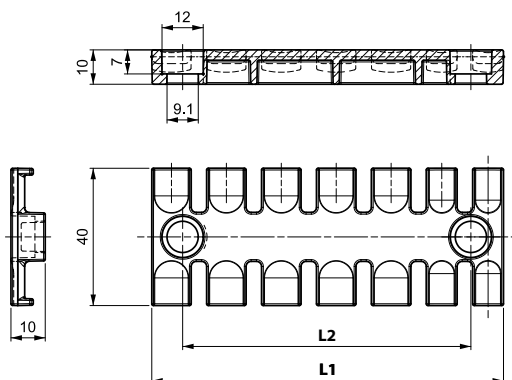
Features: halogens and silicones free

Related products

DZ spacers

FV cable ties

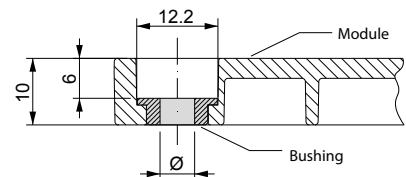
Dimensions [mm]





Strain relief modules - screw fixing

Modules with aluminum bushings			Modules with brass bushings			Dimensions [mm]		Teeth	Pcs /pack
Model	Code	Bushing	Model	Code	Bushing	L1	L2		
AP 39 BA4	1733021403	Ø4	AP 39 BR4	1733022403	Ø4	38,5	19,5	3	10
AP 60 BA4	1733021404		AP 60 BR4	1733022404		59,5	43,5	4	
AP 70 BA4	1733021405		AP 70 BR4	1733022405		69,1	43,5	5	
AP 87 BA4	1733021406		AP 87 BR4	1733022406		86,5	68	6	
AP 103 BA4	1733021407		AP 103 BR4	1733022407		102,5	84	7	
AP 121 BA4	1733021408		AP 121 BR4	1733022408		121	102,5	8	
AP 140 BA4	1733021409		AP 140 BR4	1733022409		139,5	121	9	
AP 180 BA4	1733021410		AP 180 BR4	1733022410		180	157	12	
AP 39 BA5	1733021503	Ø5	AP 39 BR5	1733022503	Ø5	38,5	19,5	3	
AP 60 BA5	1733021504		AP 60 BR5	1733022504		59,5	43,5	4	
AP 70 BA5	1733021505		AP 70 BR5	1733022505		69,1	43,5	5	
AP 87 BA5	1733021506		AP 87 BR5	1733022506		86,5	68	6	
AP 103 BA5	1733021507		AP 103 BR5	1733022507		102,5	84	7	
AP 121 BA5	1733021508		AP 121 BR5	1733022508		121	102,5	8	
AP 140 BA5	1733021509		AP 140 BR5	1733022509		139,5	121	9	
AP 180 BA5	1733021510		AP 180 BR5	1733022510		180	157	12	
AP 39 BA6	1733021603	Ø6	AP 39 BR6	1733022603	Ø6	38,5	19,5	3	
AP 60 BA6	1733021604		AP 60 BR6	1733022604		59,5	43,5	4	
AP 70 BA6	1733021605		AP 70 BR6	1733022605		69,1	43,5	5	
AP 87 BA6	1733021606		AP 87 BR6	1733022606		86,5	68	6	
AP 103 BA6	1733021607		AP 103 BR6	1733022607		102,5	84	7	
AP 121 BA6	1733021608		AP 121 BR6	1733022608		121	102,5	8	
AP 140 BA6	1733021609		AP 140 BR6	1733022609		139,5	121	9	
AP 180 BA6	1733021610		AP 180 BR6	1733022610		180	157	12	



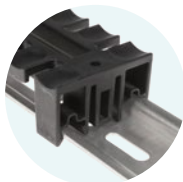


Strain relief modules for DIN and Omega rails

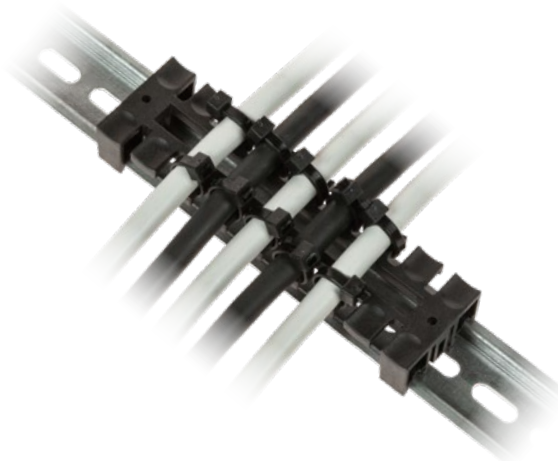
- ▶ Strain relief according to EN 62444
- ▶ Easy to install
- ▶ Cost efficient solution
- ▶ UL94-V0



APD 180



APD 39-80-140



Model	Code	Dimensions [mm]		Teeth	Pcs /pack
		L1	L2		
APD 39	1733000003	38,5	28,3	3	10
APD 80	1733000006	79,5	68	6	
APD 140	1733000009	139,5	128,1	9	
APD 180	1733000012	180	157	12	

The APD modules are used in electrical cabinets to organise the cables whilst providing strain relief according to EN 62444.

The cables can be fixed with standard plastic ties or reusable velcro ties.

Technical data

Material: Polyamide (PA)

Flammability: self-extinguishing acc. to UL94-V0

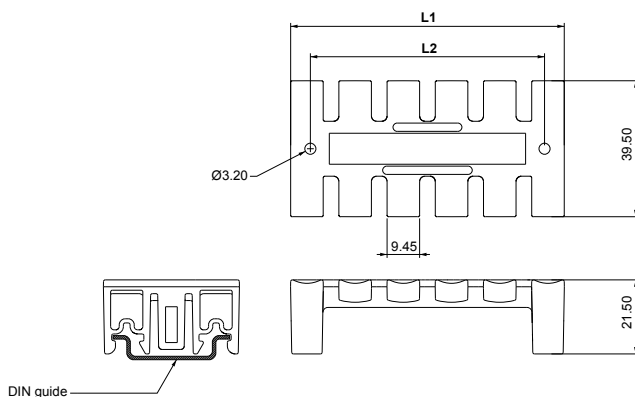
Temperature: -40°C... +140°C (static)

Features: halogens and silicones free

Related products

FV cable ties

Dimensions [mm]





AP-DP

Strain relief modules - double comb for screw fixing

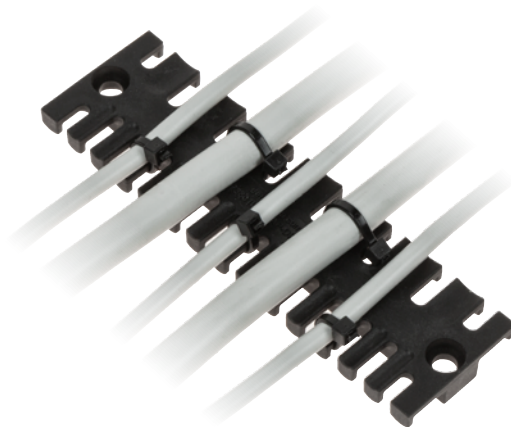
- ▶ Strain relief acc. to EN 62444
- ▶ Easy to install
- ▶ Cost efficient solution
- ▶ UL94-V0



Aluminum bushing



Brass bushing



Model	Code	Bushing	Dimensions [mm]		Teeth	Pcs /pack
			L1	L2		
AP-DP 63	1733010047	-	63,4	42	4-7	10
AP-DP 95	1733010611	-	95	74,5	6-11	
AP-DP 119	1733010713	-	119	108	7-13	
AP-DP 63-BA4	1733011447	Aluminum Ø4	63,4	42	4-7	
AP-DP 95-BA4	1733011411		95	74,5	6-11	
AP-DP 119-BA4	1733011413		119	108	7-13	
AP-DP 63-BR4	1733012447	Brass Ø4	63,4	42	4-7	
AP-DP 95-BR4	1733012411		95	74,5	6-11	
AP-DP 119-BR4	1733012413		119	108	7-13	

The AP-DP modules are used in electrical switchboards and equipment keeping cables of various sizes tidy whilst providing strain relief according to EN 62444.

The cables can be fixed with standard plastic ties or reusable Velcro ties.

Spacers are available for multi-tier applications.

Technical data

Material: Polyamide (PA)

Flammability: self-extinguishing acc. to UL94-V0

Temperature: -40°C... +140°C (static)

Features: halogens and silicones free

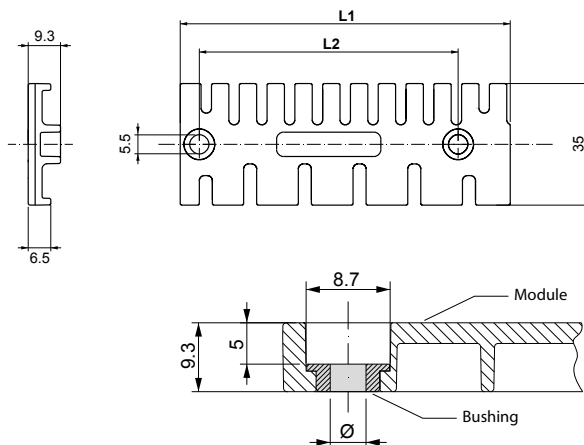
Related products

DZ spacers

FV cable ties

3

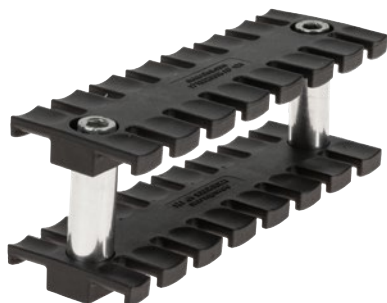
Dimensions [mm]





Spacers

► Increase in cable bundle density



DZ 30



DZ 32

Model	Code	Suitable for	H [mm]	D1 [mm]	D2 [mm]	Pcs /pack
DZ 30	1733020011	AP-DP	30	7	5,2	10
DZ 32	1733020012	AP	32	12	6,2	

The spacers are used to build a multi-tier system in the case of a large number of cables.

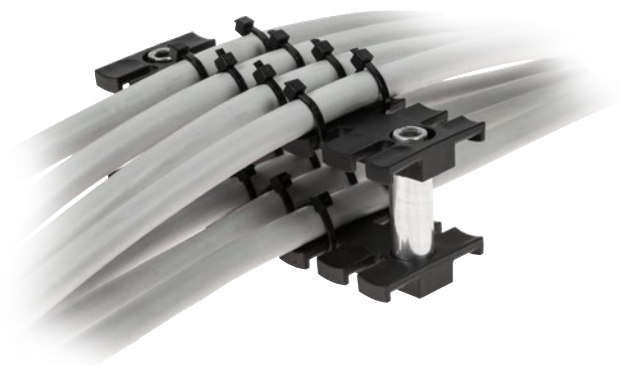
Technical data

Material: Aluminum

Related products

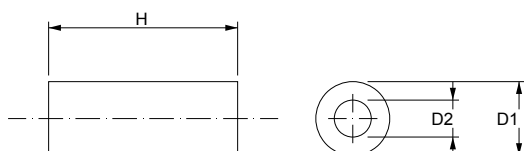
AP strain relief modules

AP-DP double-comb strain relief modules



3

Dimensions [mm]



Al



MFK - MFY

Cable fixing clamps

NEW

- ▶ For cable diameter from 13 to 95 mm
- ▶ Strain relief acc. to EN 62444
- ▶ Fixing screws not included



Model	Code	Cable nr. - Ø cable min/max [mm]	Dimensions [mm]				Pcs /pack
			L	B	H	D	
MFK 13-25	1733030010	1 - 13/25	87,5	47	35	60	1
MFK 20-36	1733030015	1 - 20/36	88	58	42	60	
MFK 36-52	1733030020	1 - 36/52	106,5	59	49,5	75	
MFK 55-75	1733030025	1 - 55/75	113,5	59	52	83	
MFK 75-95	1733030030	1 - 75/95	128	59	64,5	95	
MFY 27-38	1733030040	3 - 27/38	175	70	73,5	125	1
MFY 38-51	1733030050	3 - 38/51	189	76	94	144	
MFY 51-69	1733030060	3 - 51/69	214	80,5	121	168	

The MFK/MFY cable clamps are used to secure cables with diameters up to 95 mm diameter in safe and strain relief position.

The MFK is used for single cable and the MFY is used up to three cables.

They are normally used in electrical installation to keep the cables in the right position according to EN62444 strain relief standard.

Technical data

Material: Polyamide (PA)

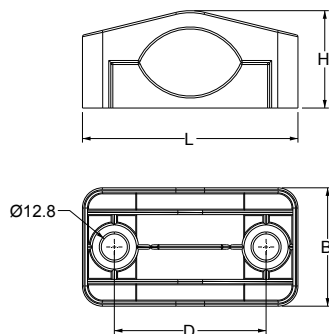
Flammability: self-extinguishing acc. to UL94-V0

Temperature: -40°C... +140°C (static)

Features: halogens and silicones free

3

Dimensions [mm]





Velcro® ONE-WRAP® ties

NEW

- ▶ The Velcro® ties can be reusable many times
- ▶ Adaptable to the cable shape
- ▶ Suitable for high vibration scenarios
- ▶ Packed pre-cutted in reels
- ▶ Without glue, no chemical traces
- ▶ Standard color black, other colors on demand



Model	Code	Dimensions [mm]			Pcs /pack
		A	B	C	
OW13	1733021012	13	200	7	100
OW20	1733021013	20	230	13	

The Velcro® cable ties allow a large number of cables to be bundled together.

They prevent damage during vibration events and can be reused several times.

The OW series includes already pre-cutted ties conveniently packed in 100 pcs reel.

Technical data

Material: PE + Nylon

Flammability: self-extinguishing acc. to UL94-V2

Temperature: 0°C... +104°C (static)

Related products

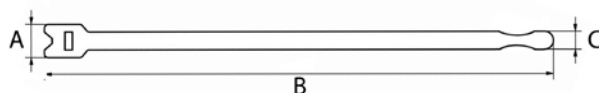
AP strain relief modules

AP-DP double-comb strain relief modules

APD strain relief modules for DIN rails



Dimensions [mm]



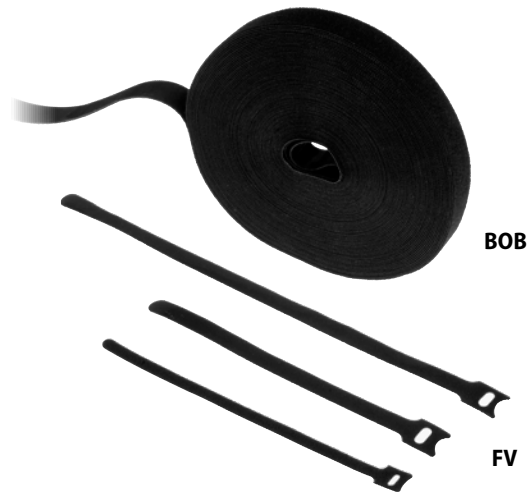
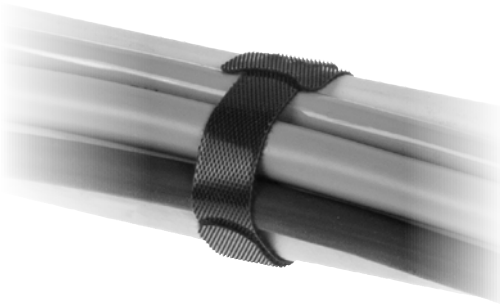
3





Hook and loop cable ties

- ▶ The hook and loop cable ties can be reused
- ▶ Adaptable to the shape of the cable bundles
- ▶ Particularly effective in the event of vibration
- ▶ Also available in reels



Model	Code	Dimensions [mm]		Pcs /pack
		L	W	
FV1	1733020020	200	10	100
FV2	1733020025	200	13	
FV3	1733020030	300	17	
BOB 10X25	1733021010	25 m	10	1
BOB 20X25	1733021020	25 m	20	

Hook and loop cable ties allow a large number of cables to be bundled together. They prevent damage in the event of vibration and can be reused many times.

They are available in 3 different types or in 25 m reels.

Technical data

Material: PE + Nylon

Flammability: self-extinguishing acc. to UL94-V2

Temperature: 0°C... +104°C (static)

Related products

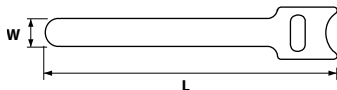
AP strain relief modules

AP-DP double-comb strain relief modules

APD strain relief modules for DIN rails

3

Dimensions [mm]

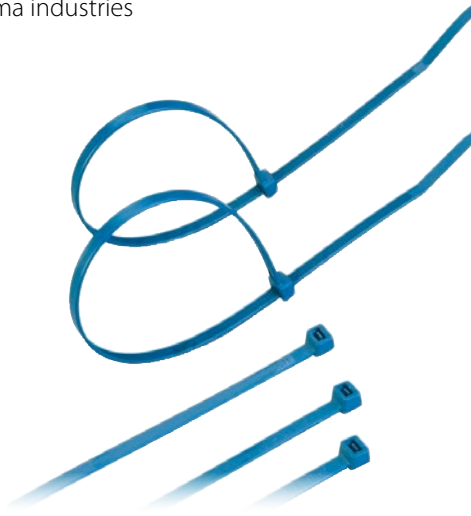




Metal detectable cable ties

NEW

- ▶ Especially designed for food and pharma industries
- ▶ Selfextinguishing UL94V2
- ▶ 4 measures standard, other on request
- ▶ Useable in the HACCP process



Model	Code	Dimensions [mm]		Pcs /pack
		L	W	
FVM100	1733021100	100	2,5	100
FVM150	1733021150	150	3,6	
FVM200	1733021200	200	4,8	
FVM300	1733021300	300	4,8	

The metal detectable cable ties are FDA compliant for Food & Pharma industries application. A particular production process add a metallic pigment which makes the cable ties detectable by x-rays and metal detectors.

They can be used in the HACCP process reducing the risk of food contamination.

The blue color help the visual recognition.

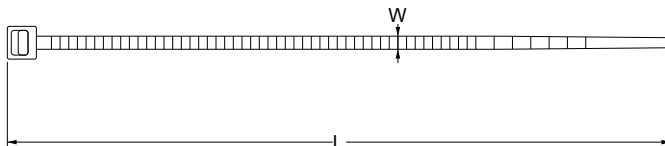
Technical data

Material: PA66

Flammability: self-extinguishing acc. to UL94-V2

Temperature: -40°C... + 85°C (static)

Dimensions [mm]



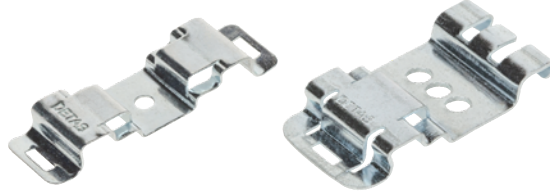
Group 4

EMC shielding



35mm DIN RAIL bases

- ▶ Steel clips for installation of several devices on DIN 35mm rail
- ▶ Quick installation with rivets
- ▶ Strong and secure fixing

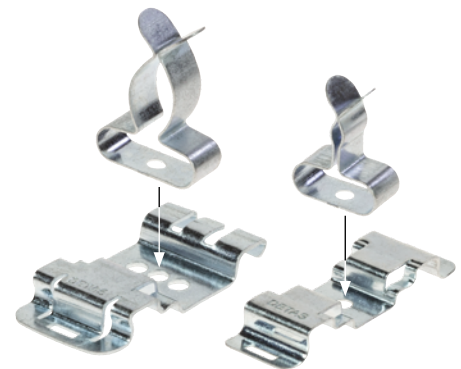


Model	Code	Dimensions [mm]			Pcs /pack
		B	H	S	
MB14	1734000150	14	45,1	6,2	50
MB22	1734000100	22	42,6	6,3	

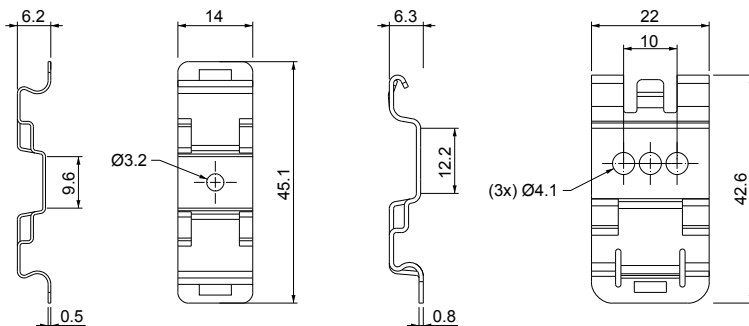
The MB DIN rail bases are used as quick and solid installation of any kind of device on the 35mm DIN rail. Any device can be fixed to the base with rivets.

Technical data

Material: spring steel, zinc plated



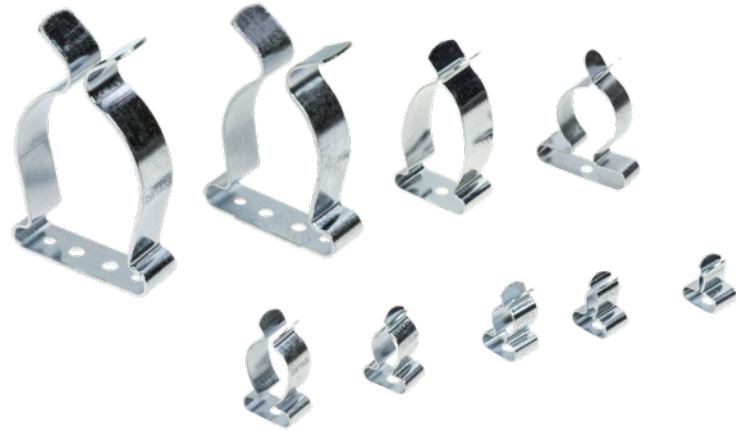
Dimensions [mm]





Shield clamps without foot

- ▶ Suitable for a wide range of cables from 1,5 to 74 mm
- ▶ Ideal adherence to cable shielding
- ▶ Possibility to mount the springs easily, no need to use tools
- ▶ Constant pressure of the spring on the cable sheath without having to run tests and checks
- ▶ High vibration resistance
- ▶ Ideal shape and dimensions make a high cable density easily manageable



Model	Code	Clamping range [mm]	Dimensions [mm]			Pcs /pack
			B	H	S	
MSS 1.5-3	1734010010	1,5 - 3	11	12	8	50
MSS 3-6	see MSS2 3-6					
MSS 7-9	1734010030	7 - 9	11	17	8	50
MSS 9-12	1734010040	9 - 12	12	19	8	50
MSS 11-17	1734010050	11 - 17	13,5	25	8	50
MSS 17-22	1734010060	18 - 22	22	34	8	50
MSS 22-30	1734010070	22 - 30	22,5	40,5	12	10
MSS 30-37	1734010080	30 - 37	40	55	12	10
MSS 38-48	1734010090	38 - 48	40	64	12	10
MSS 50-60	1734010095	50 - 60	50	74,5	12	10
MSS 62-74	1734010100	62 - 74	62	88	12	10

The MSS shield clamps enable the cable shield to be grounded easily and effectively.

The MSS shield clamps can be fixed with screws or rivets.

Technical data

Material: spring steel, zinc plated

Related products

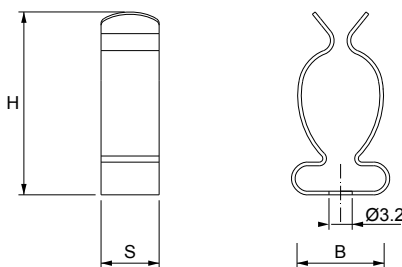
MB DIN rail bases



NEW

4

Dimensions [mm]





Shield clamps without foot

- ▶ Suitable for a wide range of cables from 1,5 to 22 mm
- ▶ Ideal adherence to cable shielding
- ▶ **Increased wings length for easier cable insertion**
- ▶ Constant pressure of the spring on the cable sheath without having to run tests and checks
- ▶ High vibration resistance
- ▶ Ideal shape and dimensions make a high cable density easily manageable



Model	Code	Clamping range [mm]	Dimensions [mm]			Pcs /pack
			B	H	S	
MSS2 1.5-3	1734010210	1,5 - 3	11	13,5	8	50
MSS2 3-6	1734010220	3 - 6	11	16		
MSS2 7-9	1734010230	7 - 9	11	18,5		
MSS2 9-12	1734010240	9 - 12	12	22		
MSS2 11-17	1734010250	11 - 17	13,5	27		
MSS2 18-22	1734010260	18 - 22	22	36,5		

The MSS2 shield clamps enable the cable shield to be grounded easily and effectively.

The MSS2 shield clamps can be fixed with screws or rivets.

Technical data

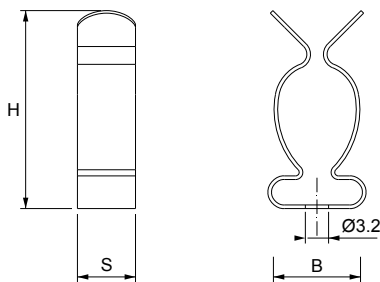
Material: spring steel, zinc plated

Related products

MB DIN rail bases



Dimensions [mm]

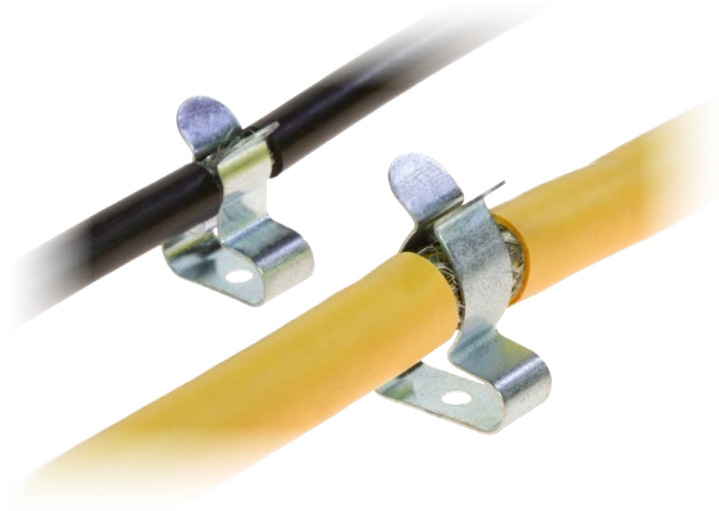



STEEL



Extended range shielding clamps without foot

- ▶ Suitable for a wide range of cables from 3 to 19 mm
- ▶ Snap-in assembly, no need to use tools
- ▶ High vibration resistance
- ▶ Ideal adherence to cable shielding
- ▶ Constant pressure of the spring on the cable sheath without having to run tests and checks



Model	Code	Clamping range [mm]	Dimensions [mm]			Pcs /pack
			B	H	S	
MSL 3-9	1734010310	3 - 9	16,5	20,6	8	50
MSL 10-19	1734010320	10 - 19	19,5	27	8	

The MSL shield clamps enable the cable shield to be grounded easily and effectively.

The MSL shield clamps can be fixed with screws or rivets.

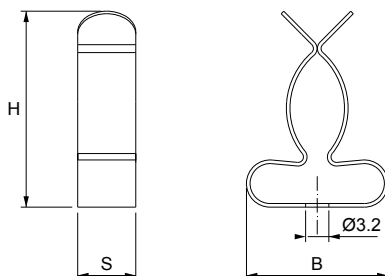
Technical data

Material: spring steel, zinc plated

Related products

MB DIN rail bases

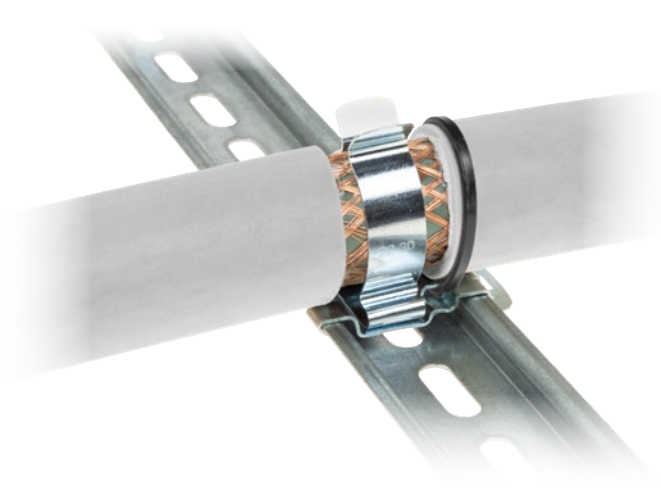
Dimensions [mm]





Shield clamps for DIN and Omega rails

- ▶ Suitable for a wide range of cables from 1,5 to 74 mm
- ▶ Snap-in assembly, no need to use tools
- ▶ Available with a coupling base in two widths: 14 and 22 mm
- ▶ High vibration resistance
- ▶ Possibility of obtaining shield grounding and anti-tear functions with a single device
- ▶ Ideal adherence to cable shielding
- ▶ Constant pressure of the spring on the cable sheath without having to run tests and checks



Model	Code	Clamping range [mm]	Dimensions [mm]				Pcs /pack
			L	B	H	S	
MSD 1.5-3	1734020010	1,5 - 3	14	11	13,6	8	50
MSD 3-6	see MSD2 3-6						
MSD 7-9	see MSD2 7-9						
MSD 9-12	1734020040	9 - 12	14	12	20,5	8	50
MSD 11-17	see MSD2 11-17						
MSD 17-22	1734020060	18 - 22	14	22	36	8	50
MSD 22-30	1734020070	22 - 30	22	22,5	45	12	10
MSD 30-37	1734020080	30 - 37	22	31	58	12	10
MSD 38-48	1734020090	38 - 48	22	40	68,5	12	10
MSD 50-60	1734021095	50-60	22	50	75	12	10
MSD 62-74	1734021098	62-74	22	62	89	12	10

The MSD shield clamps enable the cable shield to be grounded easily and effectively. They secure the anti-tear function on the cable by fixing it with a tie.

The anti-tear function complies with EN 62444 standards.

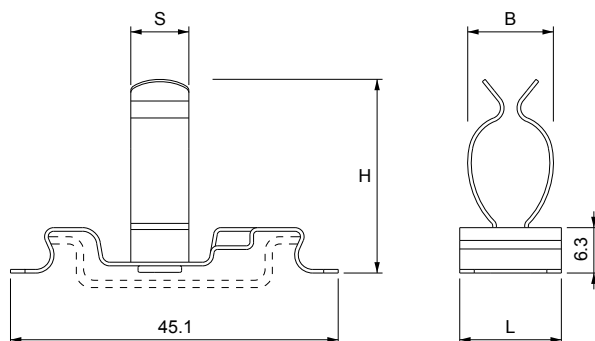
The MSD shield clamps can be used on 35 mm DIN/Omega rails.

Technical data

Material: spring steel, zinc plated

NEW

Dimensions [mm]



MSD 50-60



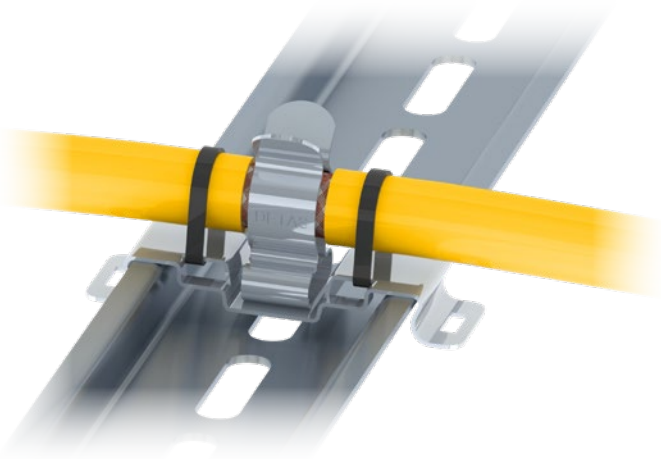
STEEL



MSD2

Shield clamps for DIN and Omega rails with double cable tie secure

- ▶ Suitable for a wide range of cables from 1,5 to 22 mm
- ▶ Snap-in assembly, no need to use tools
- ▶ **Increased wings length for easier cable insertion**
- ▶ Double cable tie secure possible
- ▶ Possibility of obtaining shield grounding and anti-tear functions with a single device
- ▶ Ideal adherence to cable shielding
- ▶ Constant pressure of the spring on the cable sheath without having to run tests and checks



Model	Code	Clamping range [mm]	Dimensions [mm]				Pcs /pack
			L	B	H	S	
MSD2 1.5-3	1734021010	1,5 - 3	14	11	15	8	50
MSD2 3-6	1734021020	3 - 6	14	11	17,5	8	
MSD2 7-9	1734021030	7 - 9	14	11	20	8	
MSD2 9-12	1734021040	9 - 12	14	12	23	8	
MSD2 11-17	1734021050	11 - 17	14	13,5	29	8	
MSD2 18-22	1734021060	18 - 22	14	22	38	8	
MSD2L 3-9	1734021080	3 - 9	14	16,5	22	8	
MSD2L 10-19	1734021090	10 - 19	14	19,5	28,5	8	

The MSD2 shield clamps enable the cable shield to be grounded easily and effectively. They secure the anti-tear function on the cable by fixing it with one or two cable ties.

The anti-tear function complies with EN 62444 standards.

The MSD 2 shield clamps can be used on 35 mm DIN/Omega rails.

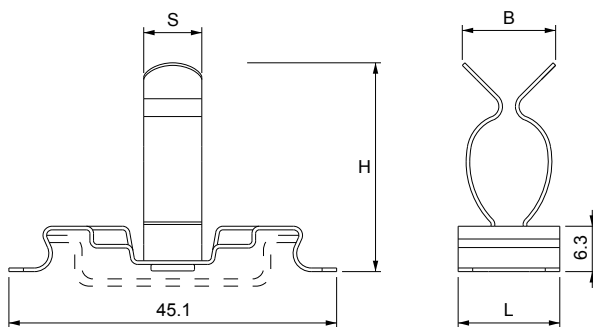
Technical data

Material: spring steel, zinc plated



4

Dimensions [mm]

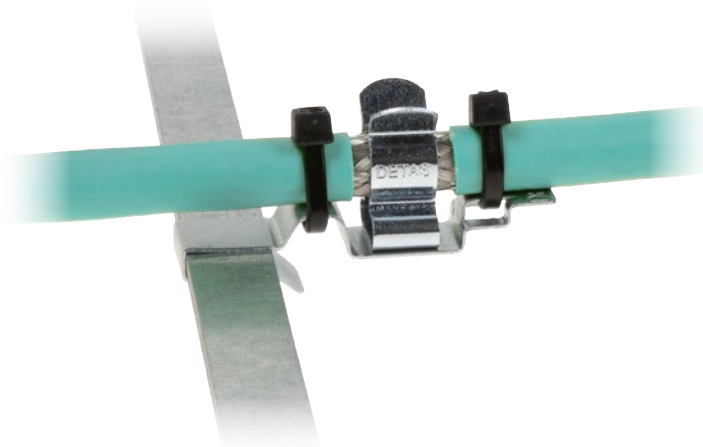



STEEL



Shield clamps for 10 x 3 mm bar with double cable tie secure

- ▶ Suitable for a range of cables from 1,5 to 30 mm
- ▶ Possibility of obtaining shield grounding and anti-tear functions with a single device
- ▶ Double cable tie secure possible
- ▶ Snap-in assembly, no need to use tools
- ▶ Constant pressure of the spring on the cable sheath without having to run tests and checks



Model	Code	Clamping range [mm]	Dimensions [mm]				Pcs /pack
			L	B	H	S	
MSB 1.5-3	1734040010	1,5 - 3	10	11	15	8	50
MSB 3-6	1734040020	3 - 6	10	11	17	8	
MSB 7-9	1734040030	7 - 9	10	11	20	8	
MSB 9-12	1734040040	9 - 12	10	12	22	8	
MSB 11-17	1734040050	11 - 17	10	13,5	28	8	
MSB 18-22	1734040060	18 - 22	10	22	37	8	
MSB 22-30	1734040070	22 - 30	10	22,5	46,5	12	
MSBL 3-9	1734040080	3 - 9	10	16,5	23,5	8	
MSBL 10-19	1734040090	10 - 19	10	19,5	30	8	

The MSB shield clamps enable the cable shield to be grounded easily and effectively. They secure the anti-tear function on the cable by fixing it with one or two cable ties.

The anti-tear function complies with EN 62444 standards.

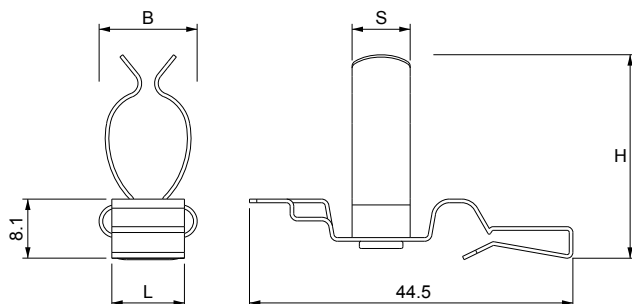
The MSB shield clamps can be used on 10x3 bars.

Technical data

Material: spring steel, zinc plated



Dimensions [mm]





Shield clamps with screw fixing with double cable tie secure

- ▶ Suitable for a range of cables from 1,5 to 30 mm
- ▶ Possibility of obtaining shield grounding and anti-tear functions with a single device
- ▶ Double cable tie secure possible
- ▶ Snap-in assembly, no need to use tools
- ▶ Constant pressure of the spring on the cable sheath without having to run tests and checks



Model	Code	Clamping range [mm]	Dimensions [mm]				Pcs /pack
			L	B	H	S	
MSA 1.5-3	1734030010	1,5 - 3	10	11	15,5	8	50
MSA 3-6	1734030020	3 - 6	10	11	17,5	8	
MSA 7-9	1734030030	7 - 9	10	11	21	8	
MSA 9-12	1734030040	9 - 12	10	12	22,5	8	
MSA 11-17	1734030050	11 - 17	10	13,5	29	8	
MSA 18-22	1734030060	18 - 22	10	22	40	8	
MSA 22-30	1734030070	22 - 30	10	22,5	47	12	
MSAL 3-9	1734030080	3 - 9	10	16,5	24	8	
MSAL 10-19	1734030090	10 - 19	10	19,5	30,5	8	

The MSA shield clamps enable the cable shield to be grounded easily and effectively. They secure the anti-tear function on the cable by fixing it with one or two cable ties.

The shield clamp can be fixed with a M4 screw.

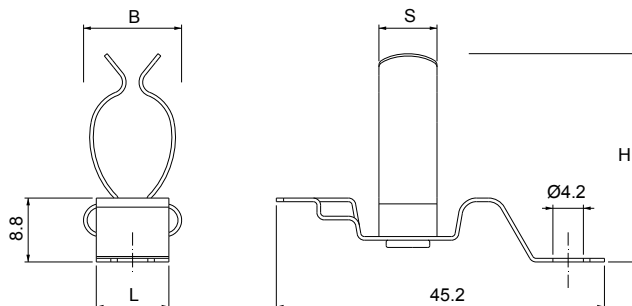
The anti-tear function complies with EN 62444 standards.

Technical data

Material: spring steel, zinc plated



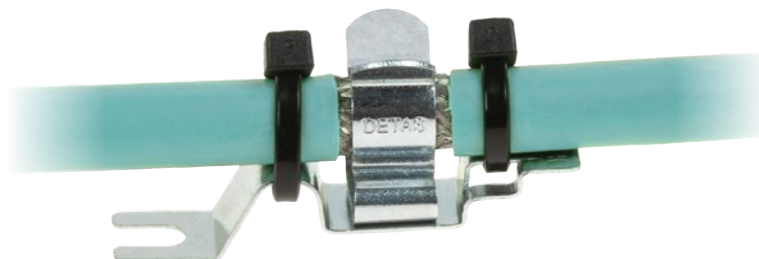
Dimensions [mm]





Shield clamps with screw fixing with double cable tie secure

- ▶ Suitable for a range of cables from 1,5 to 30 mm
- ▶ Possibility of obtaining shield grounding and anti-tear functions with a single device
- ▶ Double cable tie secure possible
- ▶ Snap-in assembly, no need to use tools
- ▶ Constant pressure of the spring on the cable sheath without having to run tests and checks



Model	Code	Clamping range [mm]	Dimensions [mm]				Pcs /pack
			L	B	H	S	
MSE 1.5-3	1734050010	1,5 - 3	10	11	15,5	8	50
MSE 3-6	1734050020	3 - 6	10	11	17,5	8	
MSE 7-9	1734050030	7 - 9	10	11	21	8	
MSE 9-12	1734050040	9 - 12	10	12	22,5	8	
MSE 11-17	1734050050	11 - 17	10	13,5	29	8	
MSE 18-22	1734050060	18-22	10	22	37	8	
MSE 22-30	1734050070	22-30	10	22,5	46,5	12	
MSEL 3-9	1734050080	3 - 9	10	16,5	24	8	
MSEL 10-19	1734050090	10 - 19	10	19,5	30,5	8	

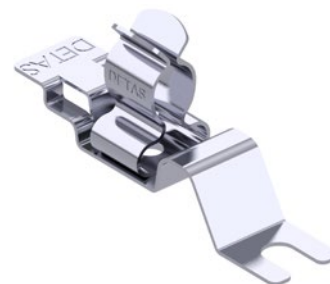
The MSE shield clamps enable the cable shield to be grounded easily and effectively. They secure the anti-tear function on the cable by fixing it with a tie.

The shield clamp can be fixed with a M4 screw.

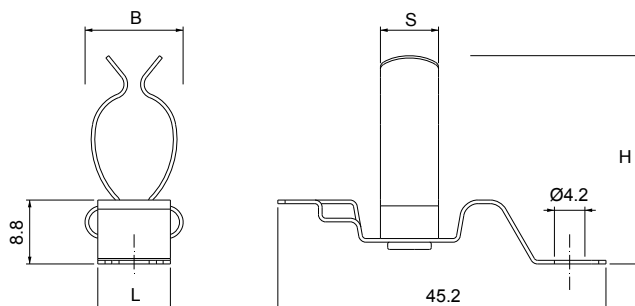
They secure the anti-tear function in compliance with EN62444 by fixing the cable it with one or two cable ties.

Technical data

Material: spring steel, zinc plated



Dimensions [mm]




STEEL



Multiple EMC shielding

- ▶ Suitable for cable ranges from 1,5 to 12 mm
- ▶ Snap-in assembly, no need to use tools
- ▶ **Increased wings length for easier cable insertion**
- ▶ Constant pressure of the spring on the cable sheath without having to run tests and checks
- ▶ Saving installation time and money



Model	Code	Cable nr.	Clamping range [mm]	Dimensions [mm]			Pcs /pack
				B	H	L	
MSU 3x 1,5-3	1734030310	3	1,5 - 3	46	30	19,1	1
MSU 3x 3-6	1734030320	3	3 - 6	46	30	21,6	
MSU 3x 7-9	1734030330	3	7 - 9	46	30	24,0	
MSU 3x 9-12	1734030340	3	9 - 12	46	30	27,2	
MSU 4x 1,5-3	1734030410	4	1,5 - 3	61	30	19,1	
MSU 4x 3-6	1734030420	4	3 - 6	61	30	21,6	
MSU 4x 7-9	1734030430	4	7 - 9	61	30	24,0	
MSU 4x 9-12	1734030440	4	9 - 12	61	30	27,2	
MSU 5x 1,5-3	1734030510	5	1,5 - 3	72	46	19,1	
MSU 5x 3-6	1734030520	5	3 - 6	72	46	21,6	
MSU 5x 7-9	1734030530	5	7 - 9	72	46	24,0	
MSU 5x 9-12	1734030540	5	9 - 12	72	46	27,2	
MSU 6x 1,5-3	1734030610	6	1,5 - 3	88	62	19,1	
MSU 6x 3-6	1734030620	6	3 - 6	88	62	21,6	
MSU 6x 7-9	1734030630	6	7 - 9	88	62	24,0	
MSU 6x 9-12	1734030640	6	9 - 12	88	62	27,2	
MSU 7x 1,5-3	1734030710	7	1,5 - 3	104	78	19,1	
MSU 7x 3-6	1734030720	7	3 - 6	104	78	21,6	
MSU 7x 7-9	1734030730	7	7 - 9	104	78	24,0	
MSU 7x 9-12	1734030740	7	9 - 12	104	78	27,2	
MSU 8x 1,5-3	1734030810	8	1,5 - 3	120	94	19,1	
MSU 8x 3-6	1734030820	8	3 - 6	120	94	21,6	
MSU 8x 7-9	1734030830	8	7 - 9	120	94	24,0	
MSU 8x 9-12	1734030840	8	9 - 12	120	94	27,2	
MSU 9x 1,5-3	1734030910	9	1,5 - 3	140	116	19,1	
MSU 9x 3-6	1734030920	9	3 - 6	140	116	21,6	
MSU 9x 7-9	1734030930	9	7 - 9	140	116	24,0	
MSU 9x 9-12	1734030940	9	9 - 12	140	116	27,2	
MSU 10x 1,5-3	1734031010	10	1,5 - 3	150	126	19,1	
MSU 10x 3-6	1734031020	10	3 - 6	150	126	21,6	
MSU 10x 7-9	1734031030	10	7 - 9	150	126	24,0	
MSU 10x 9-12	1734031040	10	9 - 12	150	126	27,2	
MSU 11x 1,5-3	1734031110	11	1,5 - 3	166	140	19,1	
MSU 11x 3-6	1734031120	11	3 - 6	166	140	21,6	
MSU 11x 7-9	1734031130	11	7 - 9	166	140	24,0	
MSU 11x 9-12	1734031140	11	9 - 12	166	140	27,2	
MSU 12x 1,5-3	1734031210	12	1,5 - 3	182	156	19,1	
MSU 12x 3-6	1734031220	12	3 - 6	182	156	21,6	
MSU 12x 7-9	1734031230	12	7 - 9	182	156	24,0	
MSU 12x 9-12	1734031240	12	9 - 12	182	156	27,2	

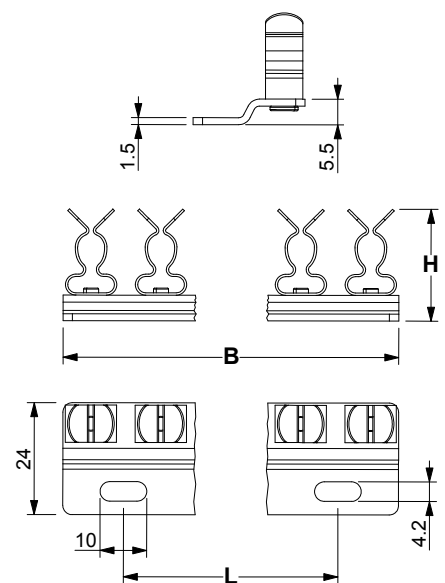
The multiple EMC shielding clamps can shorten the mounting time and space of a multitude of single clips.

The base of the clips is fixed with two M4 screws. Custom solutions are welcome.

Technical data

Material: spring steel, zinc plated

Dimensions [mm]



STEEL

Shield clamps for printed circuit boards

- ▶ Suitable for a cable ranges from 1,5 to 9 mm
- ▶ Direct mounting on PCB
- ▶ **Increased wings length for easier cable insertion**
- ▶ Constant pressure of the spring on the cable sheath without having to run tests and checks



Model	Code	Clamping range [mm]	Clamp dimensions H [mm]	Pcs /pack
MSC 1.5-3	1734060001	1,5 - 3	18	50
MSC 3-6	1734060003	3 - 6	20,5	
MSC 7-9	1734060006	7 - 9	23	

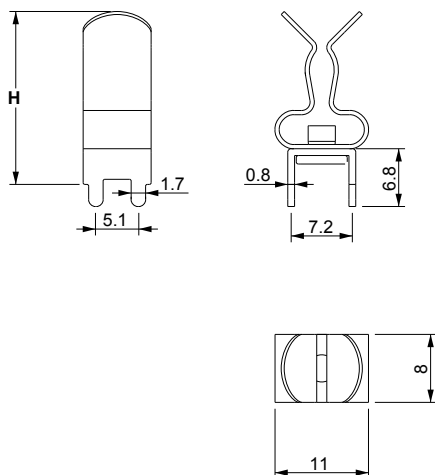
The MSC shield clamps enable the cable shield to be grounded easily and effectively. They secure the anti-tear function on the cable.

The MSC shield clamps is fixed and soldered directly on the PCB.

Technical data

Material: spring steel, zinc plated

Dimensions [mm]





Engineering Box EMC

Box with shield clamp samples

NEW

- ▶ 163 shield clamps
- ▶ Wide choice of models with different fixings
- ▶ Price savings compared to separate purchase of each part
- ▶ Practical, transportable box



Model	Code	Dimensions [mm]	Pcs
Engineering Box EMC	1734090100	370 x 300 x 90	1

Practical box containing 163 shield clamps, various dimensions and fixing methods are available.

Thanks to the wide choice it is possible to select the most suitable model for the specific application.

BOX CONTENT	
Pcs	Model
10	MB14
10	MB22
20	MSL 3-9
20	MSL 10-19
5	MSS 22-30
5	MSS 30-37
4	MSS 38-48
3	MSD 22-30
3	MSD 30-37
3	MSD 38-48
10	MSD2L 3-9
10	MSD2L 10-19
10	MSBL 3-9
10	MSBL 10-19
10	MSAL 3-9
10	MSAL 10-19
10	MSEL 3-9
10	MSEL 10-19



Earthing straps

- ▶ Sections from 6 to 25 mm²
- ▶ Custom solutions available
- ▶ Sections up to 95 mm² on request
- ▶ High conductivity



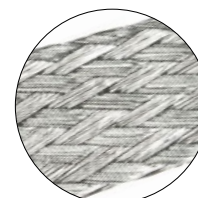
Model	Code	Section [mm ²]	Dimensions [mm]		
			L	D	W
CTX-6/100/6	1734080000	6	100	6	10
CTX-6/150/6	1734080005		150	6	
CTX-6/200/6	1734080010		200	6	
CTX-6/250/6	1734080015		250	6	
CTX-6/300/6	1734080020		300	6	
CTX-6/400/6	1734080025		400	6	
CTX-6/500/6	1734080030		500	6	
CTX-10/100/6	1734080035	10	100	6	15
CTX-10/100/8	1734080040		100	8	
CTX-10/150/8	1734080045		150	8	
CTX-10/200/6	1734080050		200	6	
CTX-10/200/8	1734080055		200	8	
CTX-10/250/6	1734080060		250	6	
CTX-10/300/6	1734080065		300	6	
CTX-10/300/8	1734080070		300	8	
CTX-10/400/6	1734080075		400	6	
CTX-10/400/8	1734080080		400	8	
CTX-10/500/6	1734080085		500	6	
CTX-16/100/6	1734080090	16	100	6	19
CTX-16/100/8	1734080095		100	8	
CTX-16/150/6	1734080100		150	6	
CTX-16/150/8	1734080105		150	8	
CTX-16/200/6	1734080110		200	6	
CTX-16/200/8	1734080115		200	8	
CTX-16/250/8	1734080120		250	8	
CTX-16/300/6	1734080125		300	6	
CTX-16/300/8	1734080130		300	8	
CTX-16/350/8	1734080135		350	8	
CTX-16/400/8	1734080140		400	8	
CTX-16/500/8	1734080145		500	8	
CTX-16/600/8	1734080150		600	8	
CTX-25/100/10	1734080155	25	100	10	20
CTX-25/150/10	1734080160		150	10	
CTX-25/200/8	1734080165		200	8	
CTX-25/200/10	1734080170		200	10	
CTX-25/250/8	1734080175		250	8	
CTX-25/300/8	1734080180		300	8	
CTX-25/300/10	1734080185		300	10	
CTX-25/350/10	1734080190		350	10	
CTX-25/400/8	1734080195		400	8	
CTX-25/500/8	1734080200		500	8	
CTX-25/600/8	1734080205		600	8	

The CTX flexible earthing straps are made of tinned copper braided wires.

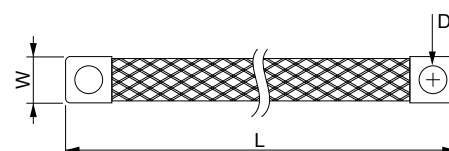
Pure Cu-ETP - ASTM C11000 copper enables an excellent ground connection.

Technical data

Material: tinned copper >99,95%



Dimensions [mm]



Group 5

Splittable corrugated pipes



Splittable corrugated pipes

- ▶ Splittable double pipes
- ▶ Suitable for cables with connectors
- ▶ Easy openable during maintenance procedure



Model	Code	Pipe [mm]		Clip FW [mm]	Pcs /pack
		Ø external	Ø internal		
FL 10	1735010010	10	6	10	multiple of 5 m
FL 14	1735010014	14	9	13	
FL 16	1735010016	16	11	15,8	
FL 20	1735010020	19	13	18.5	
FL 22	1735010022	22	16	21,2	
FL 26	1735010026	26	19,5	25	
FL 32	1735010032	32	23	28,5	
FL 35	1735010035	35	26	34,5	
FL 42	1735010042	42	30	42,5	
FL 54	1735010054	54	43	54,5	
FL 80	1735010080	80	66	--	

The splittable corrugated pipes FL can be used for cables with and without connectors.

The double pipe allow maintenance operation or changes easily and saving times, especially with pre-terminated cables.

Technical data

Material: Polypropylene (PP)

Flammability: self-extinguishing acc. to UL94-V2

Temperature: -40°C... +110°C (static)

Features: halogens and silicones free

Related products

FW Clips for corrugated tubes





Clips for corrugated pipes

NEW

- ▶ Easy installation, tool free
- ▶ V2 Self extinguishing



Model	Code	Suitable for	Pcs /pack
FW 10	1735030010	FL 10	10
FW 13	1735030013	FL 14	
FW 15	1735030015	FL 16	
FW 18	1735030018	FL 20	
FW 21	1735030021	FL 22	
FW 25	1735030025	FL 26	
FW 28	1735030028	FL 32	
FW 34	1735030034	FL 35	
FW 42	1735030042	FL 42	
FW 54	1735030054	FL 54	

The FW holders are use for the corrugated pipes fixing.

They can be used with or without cover which ensures more stability to the pipe in case of curves or vibrations.

Technical data

Material: Polyamide (PA)

Flammability: self-extinguishing acc. to UL94-V2

Temperature: -40°C... +110°C (static)

Features: halogens and silicones free

Related products

FL Splittable corrugated tubes

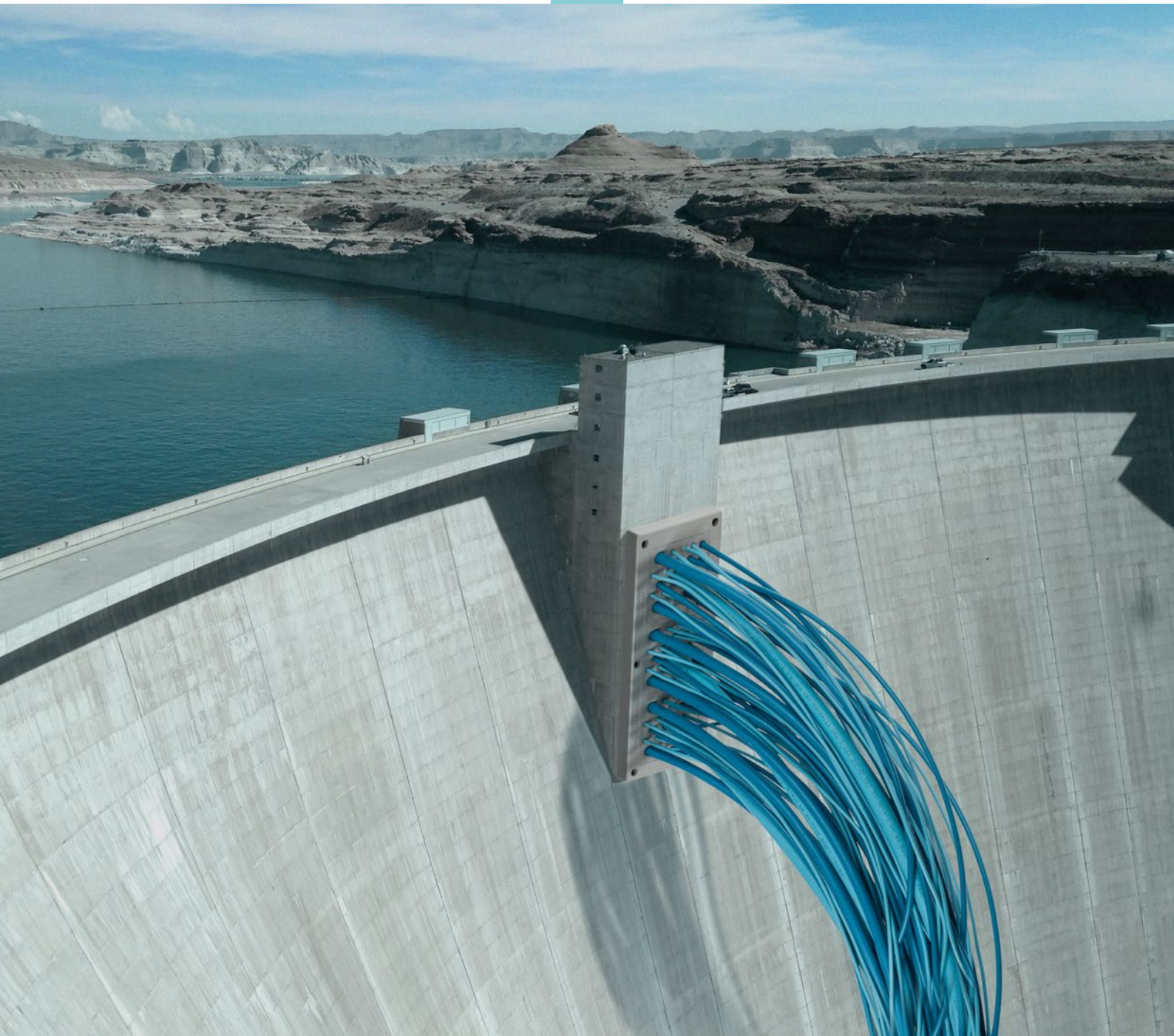


5



Group 6

Accessories





HY360

Hydraulic punch driver for round and rectangular cut-outs

- ▶ Hand punch driver with rotating 360° head
- ▶ Thanks to its low weight, the punch driver can be used by one person only
- ▶ The punch driver produces a hydraulic power of 120 kN and can be used for stainless steel walls with a maximum thickness of 3,5 mm
- ▶ All the available punches are compatible with our products



Technical data

Material: Aluminum alloy, steel punches

Hydraulic power: 120 kN

Weight: 2,5 kg



Rectangular punch



Round punch

Model	Code	Dimensions [mm]	Pcs /pack
Punzonatrice HY360	1736010100		1
Rectangular punch for DES 24	1736010024	108 x 39	1
Rectangular punch for DES 16	1736010016	86 x 39	
Rectangular punch for DES 10	1736010010	63 x 39	
Rectangular punch for DES Q	1736010008	40 x 39	
Rectangular punch for DES L2	1736010002	40 x 22	
Rectangular punch for DES L3	1736010003	63 x 22	
Rectangular punch for DES L4	1736010004	86 x 22	
Rectangular punch for DES L5	1736010005	108 x 22	
Rectangular punch for DES PM 24 and DES PDM 24	1736010124	112 x 36	
Rectangular punch for DES PDM Q	1736010108	46 x 46	1
Round punch M22	1736010022	Ø 22.5	
Round punch M25	1736010025	Ø 25.5	
Round punch M32	1736010032	Ø 32.5	
Round punch M40	1736010040	Ø 40.5	
Round punch M50	1736010050	Ø 50.5	
Round punch M63	1736010063	Ø 63.5	



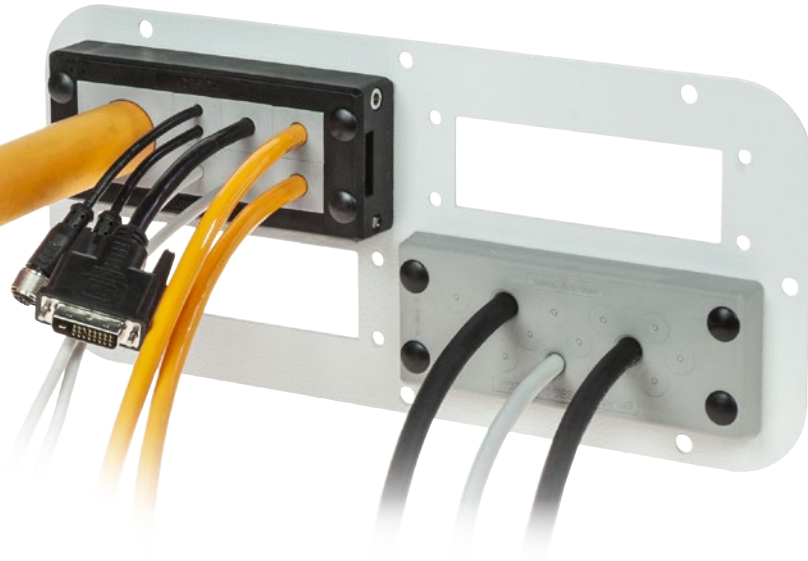


Cable entry system plates

- ▶ Compatible with Rittal AE cabinets
- ▶ Type 16 and 24 holes

The PF adapter plates are compatible with Rittal cabinets and are equipped with 24 and 16 poles heavy connectors opening.

They are fixed with screws and can be provided according to the quantity of the cables that need to be routed inside the cabinet.



Technical data

Material: paint zinc plated steel

Model	Code	Dimensions [mm]	Appearance	Type	Pcs /pack
PF 2	1736020020	330 x 90		2x24	1
PF 3	1736020030	339 x 149		2x24	
PF 4	1736020040	339 x 149		4x24	
PF 5	1736020050	534 x 149		4x16	
PF 6	1736020060	534 x 149		3x24	
PF 7	1736020070	534 x 149		6x24	



Steel



Cable entry system plates

NEW

- ▶ Compatible with Rittal AE cabinets
- ▶ Holes for DES 24MX and DES 380



The PF cable entry system are compatible with AE Rittal cabinets and can be equipped with DES 24MX and DES 380M spittable cable entry system frames.

Technical data

Material: zinc plated steel RAL 7040

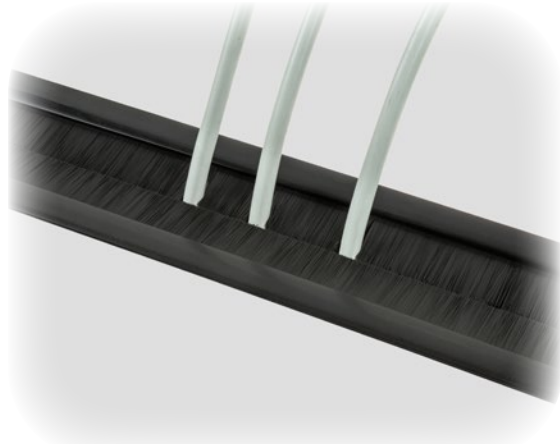
Model	Code	Dimensions [mm]	Appearance	Type	Pcs /pack
PFD1	1736020080	339x149		2x DES 24MX2	1
PFD2	1736020090	339x149		1x DES 380M 1x DES 24MX2	
PFD3	1736020100	339x149		1x DES 380MX3	
PFD4	1736020110	534x149		3x DES 24MX2	
PFD5	1736020120	534x149		1x DES 380M 2x DES 24MX2	
PFD6	1736020130	534x149		1x DES 380MX3 1x DES 24MX2	





Brushes for Rittal cabinets

- ▶ Snap-in assembly
- ▶ Compatible with Rittal cabinet
- ▶ Customizations for a few pieces
- ▶ The brushes allow the passage of a high number of cables



Model	Code	Length [L] [mm]	Pcs /pack
SQZ 600	1736030006	600	1
SQZ 800	1736030008	800	
SQZ 1000	1736030010	1000	
SQZ 1200	1736030012	1200	

The SQZ brushes are compatible with the main models of Rittal cabinets.

Cables can come out throughout the length of the bottom panel.

Easy snap-in assembly.

Technical data

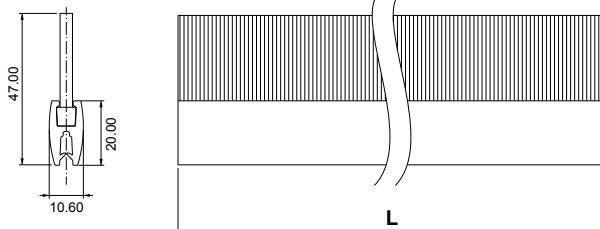
Material: Polyamide (PA)

Flammability: self-extinguishing acc. to UL94-V0

Temperature: -25°C... +80°C (static)

Features: halogens and silicones free

Dimensions [mm]





DemoBox Deluxe

DemoBox for DetasUltra products

- ▶ Updated with the latest products
- ▶ Dedicated to customers and distributors: it shows the quality and the variety of the DetasUltra solutions



Model	Code	Dimensions [mm]	Pcs
DemoBox Deluxe	1736999840	460 x 360 x 90	1

BOX CONTENT	
Pcs	Model
3	Splittable frames
4	Splittable cable glands
2	Splittable frames with brush
10	SPP single inserts
4	SPP multiple inserts
2	SPG large inserts
1	Snap-in connection
1	Closing plate
5	Cable entry plates without internal frame
5	Cable entry plates with internal frame
3	Strain relief modules
5	Shield clamps
1	M5 screwdriver
DetasUltra gadgets	



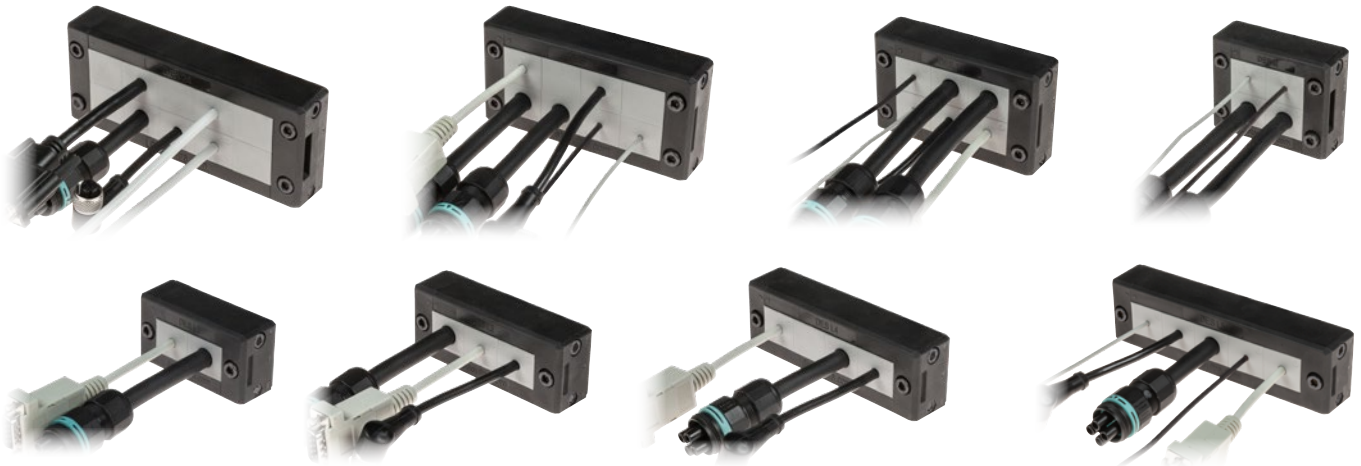
Group 7

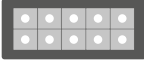

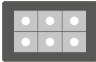


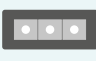
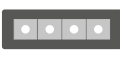

Frames and plates ATEX





Splittable frames for cables with and without connectors



Model	Code	Dimensions [mm]	Cut-out [mm]	Pcs /pack
DES 24A	1731310024	 146 x 61	112 x 39	1
DES 16A	1731310016	 120 x 61	86 x 39	
DES 10A	1731310010	 99 x 61	63 x 39	
DES QA	1731310008	 74 x 61	40 x 39	
DES L2A	1731310002	 74 x 41	40 x 18	
DES L3A	1731310003	 99 x 41	63 x 18	
DES L4A	1731310004	 120 x 41	86 x 18	
DES L5A	1731310005	 146 x 41	112 x 18	
Upon request:	1731991020	Set of 4 mounting screws in AISI304 with Black Dacromet finishing		10

The DES cable entry system consists of a splittable frame designed to accommodate small (SPP), multiple (X) or large (SPG) inserts for cables. The inserts can be freely positioned into the frame.

The overmolded gasket guarantees faster installation times and the complete V0 self-extinguishing of the system.

DES ATEX series can be used in zone 2 and 22 according to IEC 60079-10.

Technical data

Material: PP+GF

Flammability: self-extinguishing acc. to UL94-V0

Temperature: -40°C... +155°C (static)

Features: halogens and silicones free

Related products



Inserts SPG



Inserts SPP



Inserts SPP 2x



Inserts SPP 4x

Hydraulic punch driver HY360



IP66

NEMA 4X

NEMA 12



ECOLAB

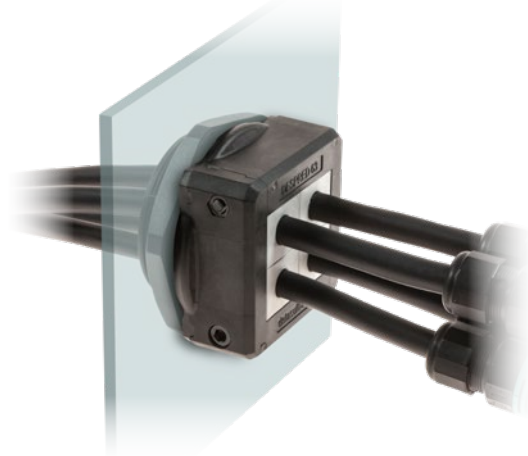


IK10



Splittable cable gland with locknut

- ▶ Frame screws in AISI304 Stainless Steel with Black Dacromet finishing
- ▶ M25, M32 and M63 metric sizes
- ▶ IP66 and Nema 4X certified
- ▶ Strain relief according to EN 62444
- ▶ Sturdy construction IK10
- ▶ Integrated gasket



Model	Code	Some possible configurations	Cut-out Ø [mm]	Pcs /pack
DESPRED 25A	1731350025		25,5	10
DESPRED 32A	1731350032		32,5	
DESPRED 63A	1731350063		63,5	
DDM SUB-D9	1731052032	Special size M32 for SUB-D9		10

The DESPRED series are splittable cable glands for metric threads.

The 63 model can be used with small, multiple and large inserts for cables up to 34 mm diameter. With multiple inserts it is possible to accommodate up to 16 cables. Future cable size changes can also be easily accommodated using various inserts.

DESPRED ATEX series can be used in zone 2 and 22 according to IEC 60079-10.

Technical data

Material: PP+GF

Flammability: self-extinguishing acc. to UL94-V0

Temperature: -40°C... +155°C (static)

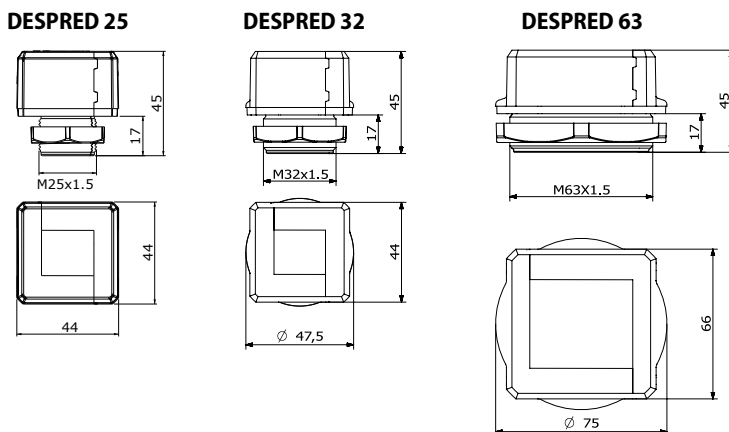
Features: halogens and silicones free

Related products

- Inserts SPG
 - Inserts SPP
 - Inserts SPP 2x
 - Inserts SPP 4x
- Hydraulic punch driver HY360



Dimensions [mm]





DES inserts - small: single, double and quadruple

- ▶ Inserts for cables from 2 to 16 mm diameter
- ▶ "Blind" version available
- ▶ Grey and black colours available
- ▶ UL94-V0 for both colours



Model	Code	Ø Cable [mm]	Model	Code	Pcs /pack
		■			
SPP 0GA	1731320100	senza foro	SPP 0BA	1731320200	10
SPP 2GA	1731320102	2-3	SPP 2BA	1731320202	
SPP 3GA	1731320103	3-4	SPP 3BA	1731320203	
SPP 4GA	1731320104	4-5	SPP 4BA	1731320204	
SPP 5GA	1731320105	5-6	SPP 5BA	1731320205	
SPP 6GA	1731320106	6-7	SPP 6BA	1731320206	
SPP 7GA	1731320107	7-8	SPP 7BA	1731320207	
SPP 8GA	1731320108	8-9	SPP 8BA	1731320208	
SPP 9GA	1731320109	9-10	SPP 9BA	1731320209	
SPP 10GA	1731320110	10-11	SPP 10BA	1731320210	
SPP 11GA	1731320111	11-12	SPP 11BA	1731320211	
SPP 12GA	1731320112	12-13	SPP 12BA	1731320212	
SPP 13GA	1731320113	13-14	SPP 13BA	1731320213	
SPP 14GA	1731320114	14-15	SPP 14BA	1731320214	
SPP 15GA	1731320115	15-16	SPP 15BA	1731320215	
SPP 16GA	1731320116	16-17	SPP 16BA	1731320216	
		■ ■			
SPP 2x2GA	1731320304	2 x 2	SPP 2x2BA	1731320404	10
SPP 2x3GA	1731320306	2 x 3	SPP 2x3BA	1731320406	
SPP 2x4GA	1731320308	2 x 4	SPP 2x4BA	1731320408	
SPP 2x5GA	1731320310	2 x 5	SPP 2x5BA	1731320410	
SPP 2x6GA	1731320312	2 x 6	SPP 2x6BA	1731320412	
SPP 2x7GA	1731320314	2 x 7	SPP 2x7BA	1731320414	
SPP 2x8GA	1731320316	2 x 8	SPP 2x8BA	1731320416	
		■ ■ ■			
SPP 4x2GA	1731320318	4 x 2	SPP 4x2BA	1731320418	10
SPP 4x3GA	1731320320	4 x 3	SPP 4x3BA	1731320420	
SPP 4x4GA	1731320322	4 x 4	SPP 4x4BA	1731320422	
SPP 4x5GA	1731320324	4 x 5	SPP 4x5BA	1731320424	
SPP 4x6GA	1731320326	4 x 6	SPP 4x6BA	1731320426	

The SPP inserts enable several cables from 2 to 16 mm diameter to be installed in the DES splittable frame.

The 2X and 4X versions allow multiple cables in the same grommet.

SPP ATEX series can be used in zone 2 and 22 according to IEC 60079-10.

Technical data

Material: TPE

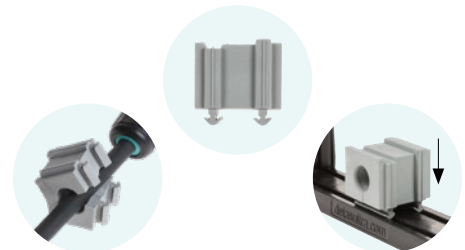
Flammability: self-extinguishing acc. to UL94-V0 (grey or black)

Temperature: -40°C... +110°C (static)

Features: halogens and silicones free

Related products

- | | | |
|--------|--------|---------|
| DES 24 | DES L5 | DESPRED |
| DES 16 | DES L4 | |
| DES 10 | DES L3 | |
| DES Q | DES L2 | |



DES inserts with extended range - for cables without connectors

- ▶ Diameters from 2,5 to 14 mm
- ▶ "Blind" insert pierceable available
- ▶ Grey and black colours available
- ▶ UL94-V0 for both colours



Model	Code	Ø Cable min/max [mm]	Model	Code	Pcs /pack
SPP K0GA	1731321100	"blind"	SPP K0BA	1731323100	10
SPP K1GA	1731321110	2,5/7	SPP K1BA	1731323110	
SPP K2GA	1731321115	4,5/10	SPP K2BA	1731323115	
SPP K3GA	1731321120	7,5/12,5	SPP K3BA	1731323120	
SPP K4GA	1731321125	9/14	SPP K4BA	1731323125	

The SPP K inserts have a dual function: they can be used as "blind" inserts for future application of single cable without connector or they can be use as single grommet for one cable without connector. The cable size can be chosen between 4 solutions from 2,5 a 14 mm diameter.

The double membrane ensures the highest water and dust protection.

SPP K ATEX series can be used in zone 2 and 22 according to IEC 60079-10.

Technical data

Material: TPE

Flammability: self-extinguishing acc. to UL94-V0 (grey or black)

Temperature: -40°C... +110°C (static)

Features: halogens and silicones free

Related products

DES 24	DES L5	DESPRED
DES 16	DES L4	
DES 10	DES L3	
DES Q	DES L2	



DES insert - large

- ▶ SPG: inserts for cables with and without connectors or for corrugated pipes from 17 to 35 mm diameter
- ▶ SPG K0: blind (pierceable) version
- ▶ 2 blind versions available
- ▶ UL94-V0 for both grey and black



SPG K0

Model	Code	Ø Cable [mm]	Model	Code	Pcs /pack
SPG 0GA	1731322000	"blind"	SPG 0BA	1731322020	
SPG K0GA	1731322300	"blind"/ pierceable Ø max. 32	SPG K0BA	1731322400	
SPG 17GA	1731322117	17-18	SPG 17BA	1731322217	10
SPG 18GA	1731322118	18-19	SPG 18BA	1731322218	
SPG 19GA	1731322119	19-20	SPG 19BA	1731322219	
SPG 20GA	1731322120	20-21	SPG 20BA	1731322220	
SPG 21GA	1731322121	21-22	SPG 21BA	1731322221	
SPG 22GA	1731322122	22-23	SPG 22BA	1731322222	
SPG 23GA	1731322123	23-24	SPG 23BA	1731322223	
SPG 24GA	1731322124	24-25	SPG 24BA	1731322224	
SPG 25GA	1731322125	25-26	SPG 25BA	1731322225	
SPG 26GA	1731322126	26-27	SPG 26BA	1731322226	
SPG 27GA	1731322127	27-28	SPG 27BA	1731322227	
SPG 28GA	1731322128	28-29	SPG 28BA	1731322228	
SPG 29GA	1731322129	29-30	SPG 29BA	1731322229	
SPG 30GA	1731322130	30-31	SPG 30BA	1731322230	
SPG 31GA	1731322131	31-32	SPG 31BA	1731322231	
SPG 32GA	1731322132	32-33	SPG32BA	1731322232	
SPG 33GA	1731322133	33-34	SPG33BA	1731322233	
SPG 34GA	1731322134	34-35	SPG34BA	1731322234	

The SPG inserts are designed for cables with or without connectors or for corrugated pipes with diameter from 17 to 35mm.

Both grey and black colors guarantee the UL94V0 self-extinguishing.

SPG ATEX series can be used in zone 2 and 22 according to IEC 60079-10.

Technical data

Material: TPE

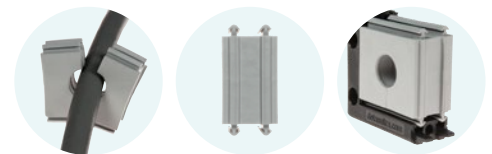
Flammability: self-extinguishing acc. to UL94-V0 (grey or black)

Temperature: -40°C... +110°C (static)

Features: halogens and silicones free

Related products

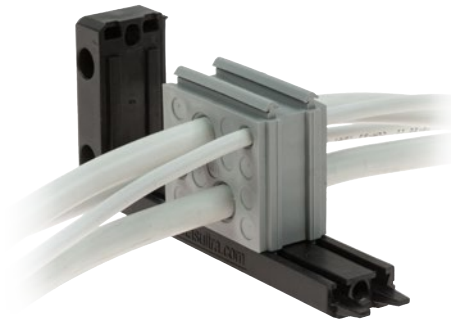
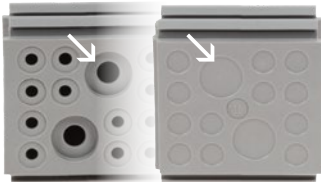
- | | | |
|--------|--------|---------|
| DES 24 | DES L5 | DESPRED |
| DES 16 | DES L4 | |
| DES 10 | DES L3 | |
| DES Q | DES L2 | |



DES insert - large - for cables without connectors - double membrane

- ▶ For high number of cables without connectors
- ▶ Grey and black colours available
- ▶ UL94-V0 for both colours
- ▶ Strain relief according to EN 62444

Double parallel membrane



Model	Code	Colore	Cable nr. - Ø cable [mm]	Pcs /pack
SPG M7GA	1731322307	Grey	4 - max. 13,5 2 - max. 5	10
SPG M7BA	1731322407	Black	1 - max. 9,5	
SPG M9GA	1731322309	Grey	9 - max. 8,8	
SPG M9BA	1731322409	Black		
SPG M14GA	1731322314	Grey	12 - max. 6,5 2 - max. 12	
SPG M14BA	1731322414	Black		
SPG M15A	1731322315	Grey	15 - max. 7	
SPG M15BA	1731322415	Black		

The SPG M inserts enable a high number of cables to be installed in the DES splittable frames.

The cable is pushed through the front membrane, whilst the second membrane increases the strain relief and liquid resistance.

SPG M ATEX series can be used in zone 2 and 22 according to IEC 60079-10.

Technical data

Material: TPE

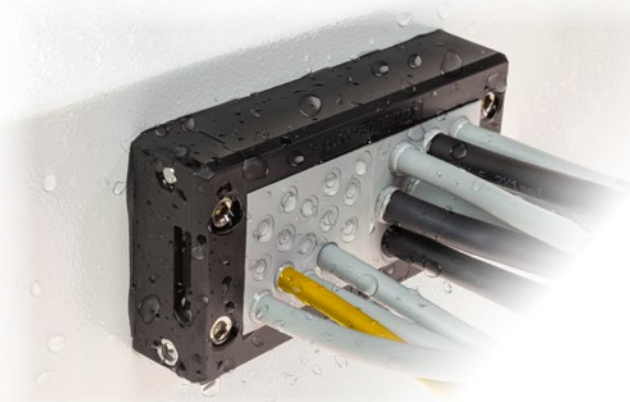
Flammability: self-extinguishing acc. to UL94-V0 (grey or black)

Temperature: -40°C... +110°C (static)

Features: halogens and silicones free

Related products

- DES 24
- DES L5
- DESPRED
- DES 16
- DES L4
- DES 10
- DES L3
- DES Q
- DES L2



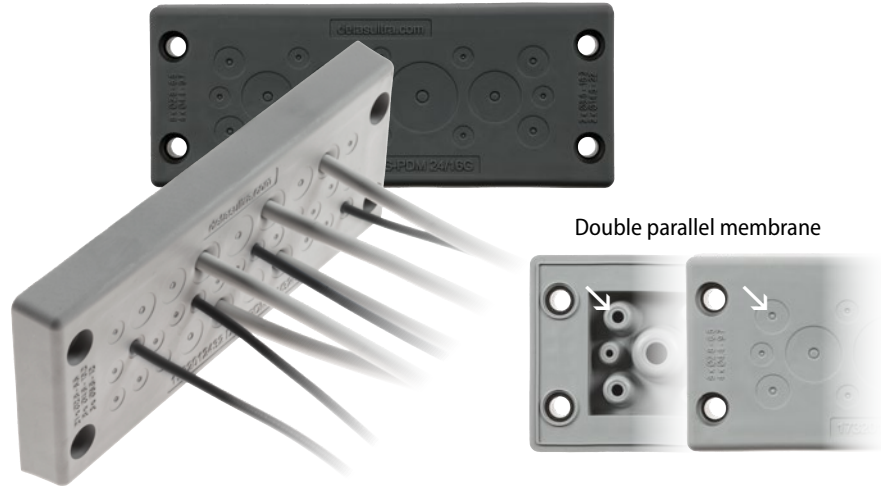


DES PDM 24 ATEX



Cable entry plates with internal frame and double membrane

- ▶ For large number of cables without connectors
- ▶ High strain relief thanks to the double membrane
- ▶ Cost efficient solution
- ▶ IP66 and Nema 4X certified
- ▶ Threaded inserts or plastic rivets version on request



Col.	Model	Code	Cable nr. - Ø cable min/max [mm]	Dimensions [mm]		Pcs /pack
				Cut-out	Plate	
■	DES PDM 24A/14G	1732312414	10 - 2,8 / 6,5	112 x 36	148,6 x 59,6	10
■	DES PDM 24A/14B	1732313414	4 - 14,5 / 22			
■	DES PDM 24A/15G	1732312415	15 - 6,8 / 12			
■	DES PDM 24A/15B	1732313415				
■	DES PDM 24A/16G	1732312416	8 - 2,8 / 6,5			
■	DES PDM 24A/16B	1732313416	4 - 4,4 / 9,7			
■	DES PDM 24A/16B	1732313416	2 - 8,6 / 16,2			
■	DES PDM 24A/16B	1732313416	2 - 14,5 / 22			
■	DES PDM 24A/17G	1732312417	6 - 2,8 / 6,5			
■	DES PDM 24A/17B	1732313417	6 - 4,6 / 10,2			
■	DES PDM 24A/17B	1732313417	5 - 8,6 / 16,2			
■	DES PDM 24A/25G	1732312425	12 - 2,8 / 6,5			
■	DES PDM 24A/25B	1732313425	7 - 4,4 / 9,7			
■	DES PDM 24A/25B	1732313425	6 - 6,8 / 12			
■	DES PDM 24A/32G	1732312432	21 - 2,8 / 6,5			
■	DES PDM 24A/32B	1732313432	8 - 4,6 / 10,2			
■	DES PDM 24A/32B	1732313432	3 - 6,8 / 12			
■	DES PDM 24A/42G	1732312442	42 - 2,8 / 6,5			
■	DES PDM 24A/42B	1732313442				

The DES PDM 24 is an innovative alternative to standard cable glands on electrical, electronic and telecommunication cabinets and equipment.

The cable is pushed through the front membrane, whilst the second membrane increases the strain relief and liquid resistance.

DES PDM 24 ATEX series can be used in zone 2 and 22 according to IEC 60079-10.

Technical data

Material: TPE

Flammability: self-extinguishing acc. to UL94-V0

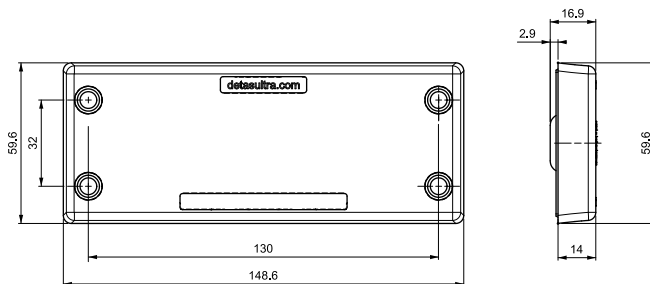
Temperature: -40°C... +105°C (static)

Features: halogens and silicones free

Related products

Hydraulic punch driver HY360

Dimensions [mm]



IP66

NEMA 4X

NEMA 12

ECOLAB

UL94-V0

UV ISO 4892-2A

RoHS COMPLIANT

TPE

+105
-40
°C



Cable entry plates with internal frame and double membrane

- ▶ For several number of cables in a limited space
- ▶ High strain relief thanks to the double membrane
- ▶ Cost efficient solution
- ▶ High IP grade (IP65)
- ▶ Threaded inserts or plastic rivets version on request



Double parallel membrane



Model	Code	Cable nr. - Ø cable min/max [mm]	Dimensions [mm]		Pcs /pack
			Cut-out	Plate	
DES PDM S 112A/7G	1732321127	7 - 6,8 / 12	112x18	150x32	10
DES PDM S 112A/22G	1732321122	22 - 3,2 / 6,5			
DES PDM S 112A/7B	1732322127	7 - 6,8 / 12			
DES PDM S 112A/22B	1732322122	22 - 3,2 / 6,5			

The DES PDM S is an innovative alternative to standard cable glands on electrical, electronic and telecommunication cabinets and equipment.

The cable is pushed through the front membrane, whilst the second membrane increases the strain relief and liquid resistance.

DES PDM S ATEX series can be used in zone 2 and 22 according to IEC 60079-10.

Technical data

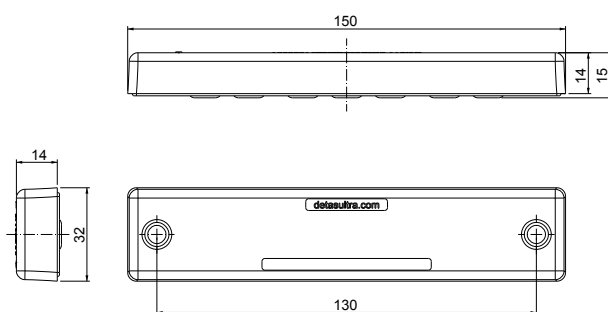
Material: TPE

Flammability: self-extinguishing acc. to UL94-V0

Temperature: -40°C... +105°C (static)

Features: halogens and silicones free

Dimensions [mm]



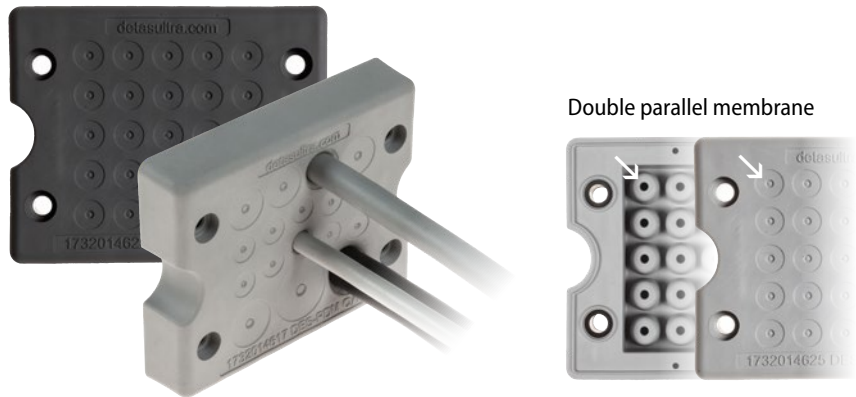


DES PDM Q ATEX



Cable entry plates with internal frame and double membrane

- ▶ For large number of cables without connectors
- ▶ High strain relief thanks to the double membrane
- ▶ Cost efficient solution
- ▶ IP66 and Nema 4X certified
- ▶ Threaded inserts or plastic rivets version on request



Model	Code	Cable nr. - Ø cable min/max [mm]	Dimensions [mm]		Pcs /pack
			Cut-out	Plate	
DES PDM Q 13GA	1732314613	8 - 2,8 / 6,5 4 - 4,6 / 10,2 1 - 14,5 / 22	46 x 46	74x60	10
DES PDM Q 17GA	1732314617	10 - 2,8 / 6,5 4 - 4,6 / 10,2 2 - 6,8 / 12 1 - 8,6 / 16,2			
DES PDM Q 25GA	1732314625	25 - 2,8 / 6,5			
DES PDM Q 13BA	1732315614	8 - 2,8 / 6,5 4 - 4,6 / 10,2 1 - 14,5 / 22			
DES PDM Q 17BA	1732315618	10 - 2,8 / 6,5 4 - 4,6 / 10,2 2 - 6,8 / 12 1 - 8,6 / 16,2			
DES PDM Q 25BA	1732315626	25 - 2,8 / 6,5			

The DES PDM Q is an innovative alternative to standard cable glands on electrical, electronic and telecommunication cabinets and equipment.

The cable is pushed through the front membrane, whilst the second membrane increases the strain relief and liquid resistance.

DES PDM Q ATEX series can be used in zone 2 and 22 according to IEC 60079-10.

Technical data

Material: TPE

Flammability: self-extinguishing acc. to UL94-V0

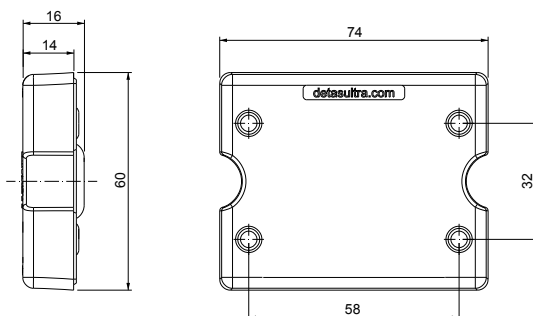
Temperature: -40°C... +105°C (static)

Features: halogens and silicones free

Related products

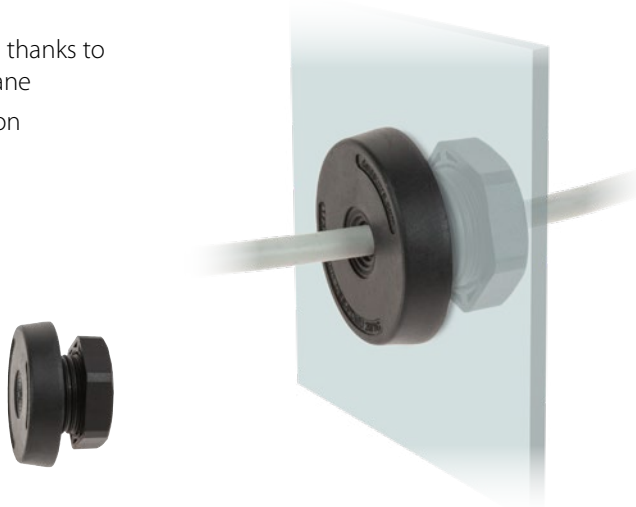
Hydraulic punch driver HY360

Dimensions [mm]



Round cable entry plates for single cable - internal frame and double membrane

- ▶ Metric sized
- ▶ High retaining force thanks to the double membrane
- ▶ Cost efficient solution
- ▶ High IP grade (IP66)
- ▶ Reduced thickness



Double parallel membrane



Model	Code	Cable nr. - Ø cable [mm]	Dimensions [mm]			Pcs /pack
			Thread	Ø Cut-out	Ø Plate	
DES PDMU 20GA	1732330120	1 - max. 10,5	M20	20,5	36	10
DES PDMU 25GA	1732330125	1 - max. 16	M25	25,5	40	
DES PDMU 32GA	1732330132	1 - max. 22	M32	32,5	46	
DES PDMU 20BA	1732331120	1 - max. 10,5	M20	20,5	36	
DES PDMU 25BA	1732331125	1 - max. 16	M25	25,5	40	
DES PDMU 32BA	1732331132	1 - max. 22	M32	32,5	46	

The cable entry plates series DES PDMU are used to save space and time as alternative to cable glands. They use the metric holes on cabinets or machinery and the nutlock guarantees a strong strain relief and highest water and dust protection.

The cable is pushed through the front membrane, whilst the second membrane increases the strain relief and liquid resistance.

DES PDMU ATEX series can be used in zone 2 and 22 according to IEC 60079-10.

Technical data

Material: TPE

Flammability: self-extinguishing acc. to UL94-V0

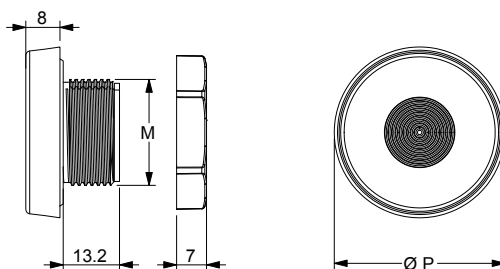
Temperature: -40°C... +105°C (static)

Features: halogens and silicones free

Related products

Hydraulic punch driver HY360

Dimensions [mm]



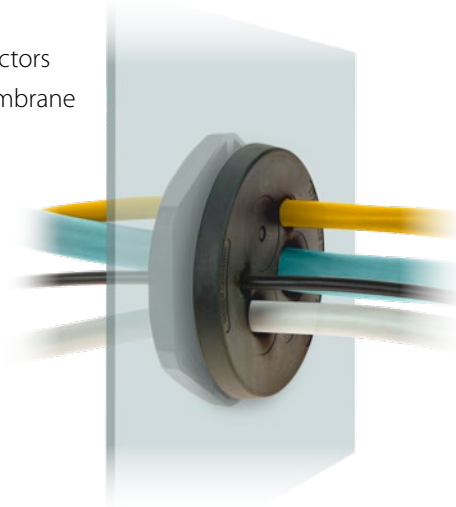


DES PDM M ATEX



Round cable entry plates with internal frame and double membrane

- ▶ Metric sized
- ▶ For large number of cables without connectors
- ▶ High strain relief thanks to the double membrane
- ▶ Cost efficient solution
- ▶ High IP grade (IP66-68)
- ▶ Locknut included



Double parallel membrane



Col.	Model	Code	Cable nr. - Ø cable min/max [mm]	Thread x1.5	Dimensions Ø P [mm]	Pcs /pack
●	DES PDM M32A/4G	1732333204	3 - 2,6 / 6,5	M32	46	10
●	DES PDM M32A/4B	1732334205	1 - 5,5 / 12,5			
●	DES PDM M32A/4-2G	1732333242	4 - 3,5 / 8,8	M32	46	
●	DES PDM M32A/4-2B	1732334252				
●	DES PDM M32A/7G	1732333207	7 - 2,6 / 6,5	M40	54	
●	DES PDM M32A/7B	1732334208				
●	DES PDM M40A/8G	1732334008	4 - 2,6 / 6,5	M40	54	
●	DES PDM M40A/8B	1732335009	4 - 4 / 10,2			
●	DES PDM M50A/8G	1732335008	5 - 4,6 / 10,2	M50	64	
●	DES PDM M50A/8B	1732336009	3 - 6,8 / 12,5			
●	DES PDM M50A/10G	1732335010	7 - 2,8 / 6,5	M50	64	
●	DES PDM M50A/10B	1732336011	2 - 4,6 / 10,2 1 - 14,5 / 22			
●	DES PDM M50A/12G	1732335012	4 - 2,8 / 6,5	M50	64	
●	DES PDM M50A/12B	1732336013	8 - 4,6 / 10,2			
●	DES PDM M50A/19G	1732335019	19 - 2,8 / 6,5	M50	64	
●	DES PDM M50A/19B	1732336020				
●	DES PDM M63A/6G	1732336306	3 - 4,6 / 10,2	M63	77	
●	DES PDM M63A/6B	1732337307	3 - 10,9 / 20			
●	DES PDM M63A/9G	1732336309	1 - 2,6 / 6	M63	77	
●	DES PDM M63A/9B	1732337310	3 - 4,6 / 10,2 4 - 8,6 / 16,2 1 - 10,9 / 20			
●	DES PDM M63A/13G	1732336313	4 - 2,8 / 6	M63	77	
●	DES PDM M63A/9B	1732337310	4 - 4,6 / 10,2 5 - 9,5 / 16,2			
●	DES PDM M63A/14G	1732336314	14 - 5 / 10	M63	77	
●	DES PDM M63A/14B	1732337315				
●	DES PDM M63A/35G	1732336335	35 - 2,6 / 5,5	M63	77	
●	DES PDM M63A/35B	1732337336				

The cable entry plates series DES PDMU are used to save space and time as alternative to cable glands. They use the metric holes on cabinets or machinery and the nutlock guarantees a strong strain relief and highest water and dust protection.

The cable is pushed through the front membrane, whilst the second membrane increases the strain relief and liquid resistance.

DES PDM M ATEX series can be used in zone 2 and 22 according to IEC 60079-10.

Technical data

Material: TPE

Flammability: self-extinguishing acc. to UL94-V0

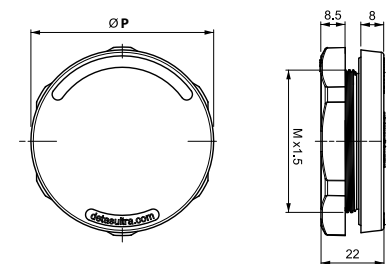
Temperature: -40°C... +105°C (static)

Features: halogens and silicones free

Related products

Hydraulic punch driver HY360

Dimensions [mm]



IP66
IP68

NEMA
4X

NEMA
12



Cable entry plate - large frame and double membrane

- ▶ For up to 72 cables without connectors
- ▶ High strain relief thanks to the double membrane
- ▶ Cost efficient solution
- ▶ High IP grade (IP66)



Model	Code	Cable nr. - Ø cable min/max [mm]	Dimensions [mm]		Pcs /pack
			Cut-out	Plate	
DES PDM KN 72GA	1732340072	42 - 2,8 / 6,5 21 - 4,6 / 10,2 6 - 8,6 / 16,2 3 - 14,5 / 22	192 x 62	221 x 90	1
DES PDM KN 72BA	1732341073				

The DES PDM KN is an alternative solution to standard cable glands on electrical, electronic and telecommunication cabinets and equipment.

The cable is pushed through the front membrane, whilst the second membrane increases the strain relief and liquid resistance.

DES PDM KN ATEX series can be used in zone 2 and 22 according to IEC 60079-10.

Technical data

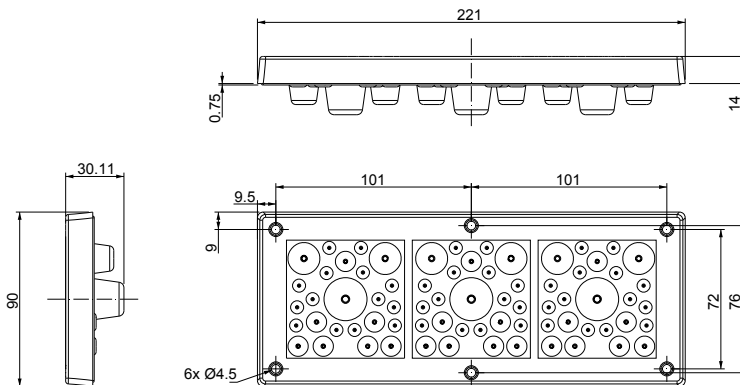
Material: TPE

Flammability: self-extinguishing acc. to UL94-V0

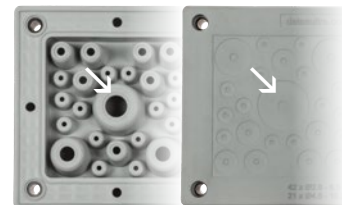
Temperature: -40°C... +105°C (static)

Features: halogens and silicones free

Dimensions [mm]



Double parallel membrane

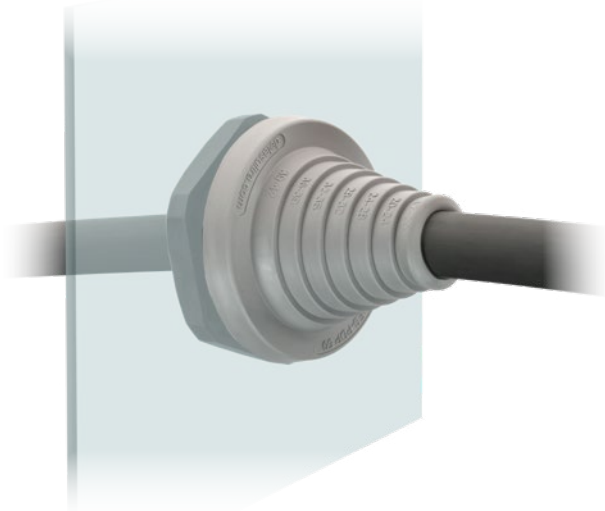










DES PDP ATEX

Round base, cone-shaped cable entry plate with locknut

- ▶ For diameters from 8 to 55 mm
- ▶ Reinforcing base plate
- ▶ Cost efficient solution
- ▶ UL94-V0 for grey and black



Model	Code	Cable nr. - Ø cable min/max [mm]	Thread x 1,5	Dimensions [mm]			Pcs /pack
				Cut-out	Ø P	H	
 DES PDP 40GA	1732350040	1 - 8 / 29	M40	40,5	54	62	10
 DES PDP 50GA	1732350050	1 - 17 / 42	M50	50,5	64	50	
 DES PDP 63GA	1732350063	1 - 23 / 55	M63	63,5	77	62	
 DES PDP 40BA	1732352040	1 - 8 / 29	M40	40,5	54	62	
 DES PDP 50BA	1732352050	1 - 17 / 42	M50	50,5	64	50	
 DES PDP 63BA	1732352063	1 - 23 / 55	M63	63,5	77	62	

The DES PDP is available in M40, M50 and M63 sizes, enabling non-terminated cables with diameter from 8 to 55 mm to pass through the walls of the electrical cabinets.

The reinforcing base plate increases the stability when large cables are used.

DES PDP ATEX series can be used in zone 2 and 22 according to IEC 60079-10.

Technical data

Material: TPE

Flammability: self-extinguishing acc. to UL94-V0

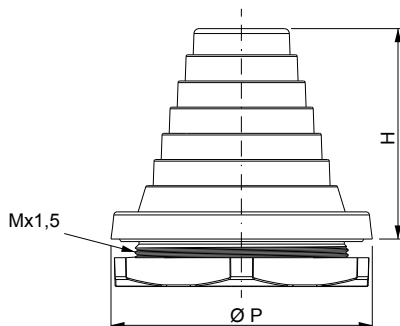
Temperature: -40°C... +105°C (static)

Features: halogens and silicones free

Related products

Hydraulic punch driver HY360

Dimensions [mm]



IP66

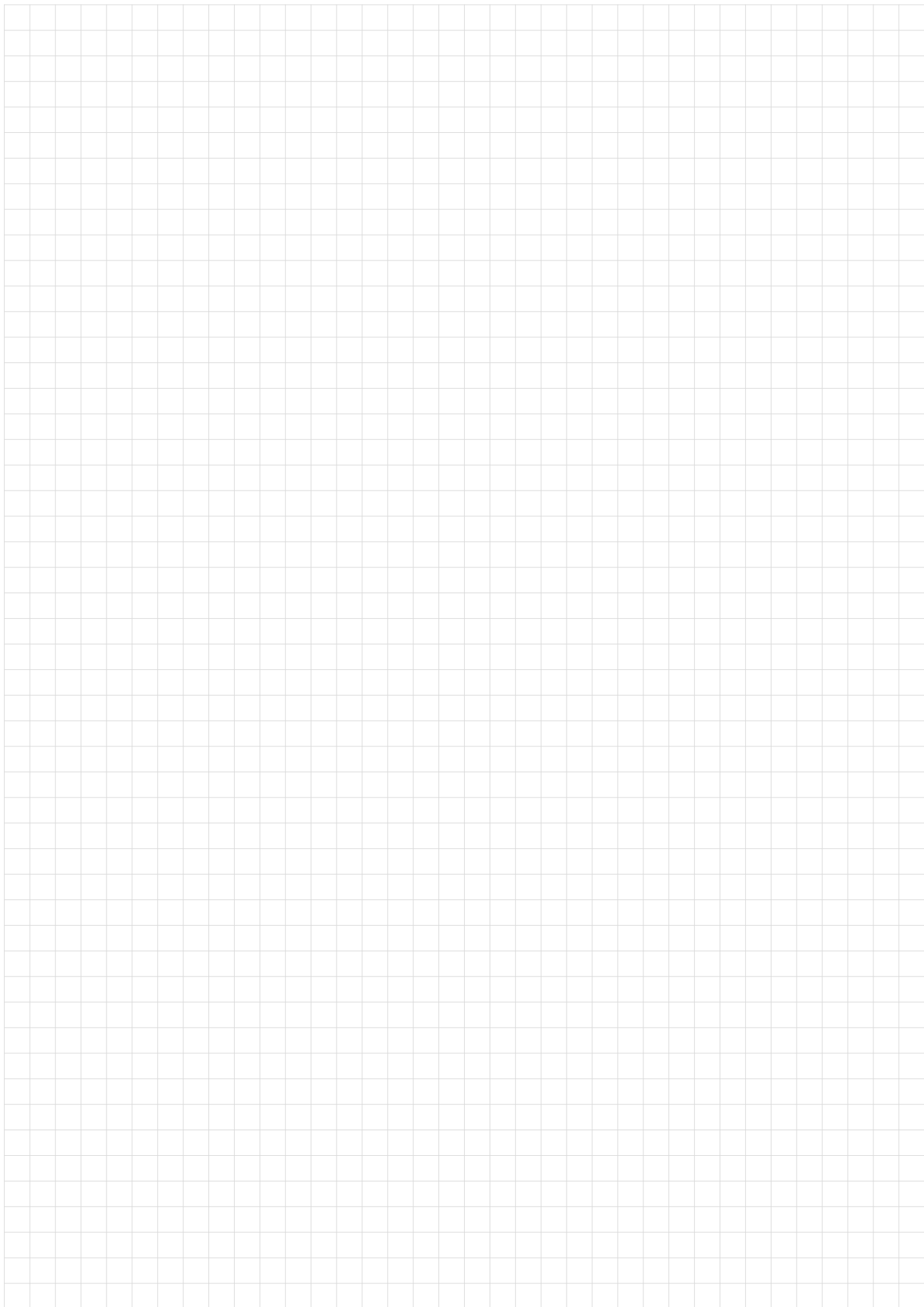
NEMA 12

ECOLAB

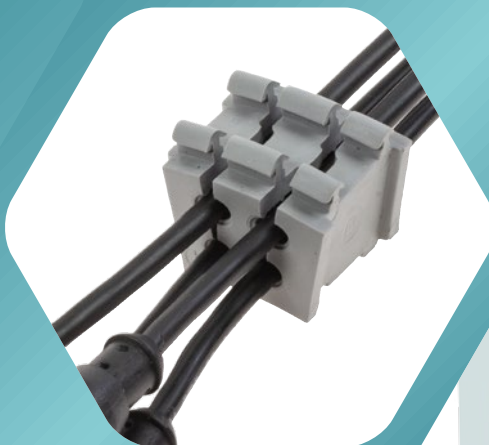


ROHS COMPLIANT





www.detasultra.com



 <p>ERGATE</p>	<p>ERGATE Automation s. r. o Klíny 35, 61500 Brno tel.: +420 548 140 001 office@ergate.cz www.ergate.cz</p>
--	---

