



[www.detasultra.com](http://www.detasultra.com)



**Detas SpA** presents the **DetasUltra** division, established in 2019 after many years of experience in cable management for electrical cabinets and equipment.

The **DES (Detas Entry System)** solution is designed to simplify the use of cables in electrical equipment, improving watertightness, strain relief and EMC, whilst minimising costs.

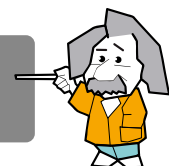
**DES** has been designed, developed and patented in Italy, thanks to our technical skills in the thermoplastic industry and production equipment.

Our attention to detail has driven us to develop innovative and reliable solutions for our customers at a competitive price.

For decades the Detas Group has been specialising in power electronics for sectors such as industrial automation, LED functional lighting, traffic safety and electric vehicle charging.



*Easier with us!*



# Summary

<b>1</b>	<b>Entry system for cables with and without connectors</b>	<b>Frames - DES series</b> ▶ pages 6...19	<b>Inserts - SP series</b> ▶ pages 20...25	<b>Brush frames - DES Z series</b> ▶ pages 26...29
<b>2</b>	<b>Entry system for non-terminated cables</b>	<b>Cable gland plates - DES PM series</b> ▶ pages 31...37	<b>Cable gland plates - DES PDM series</b> ▶ pages 38...46	<b>Plugs for cable gland plates - IFP</b> ▶ page 47
<b>3</b>	<b>Strain relief modules</b>	<b>Strain relief - AP series</b> ▶ pages 49...52	<b>Spacers - DZ</b> ▶ page 53	<b>Cable ties - FV</b> ▶ page 54
<b>4</b>	<b>EMC shielding</b>	<b>EMC cable clamps - MS series</b> ▶ pages 56...63	<b>Earthing straps - CTX</b> ▶ page 64	
<b>6</b>	<b>Accessories</b>	<b>Hydraulic punch driver - HY360</b> ▶ page 66	<b>Brushes for Rittal cabinets - SQZ</b> ▶ page 67	<b>Demo box Deluxe</b> ▶ page 68

# Group 1

Entry system for cables with and without connectors

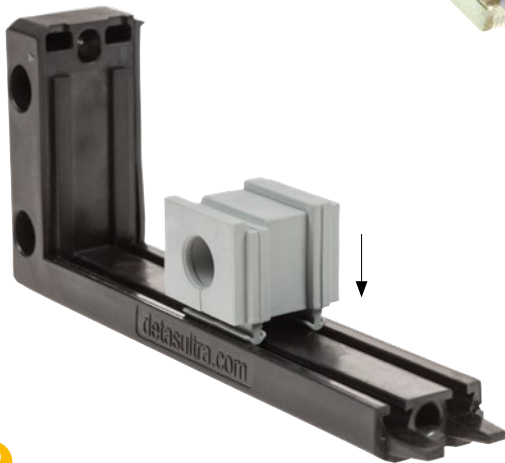


# DES system



1

Choose your splittable insert and let the cable pass through



2

Snap the inserts into the frame with a simple „click“



3

Combine the two parts with the screws

► Pls subscribe to our YouTube channel for the DetasUltra videos

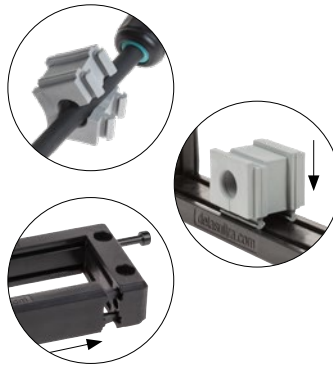
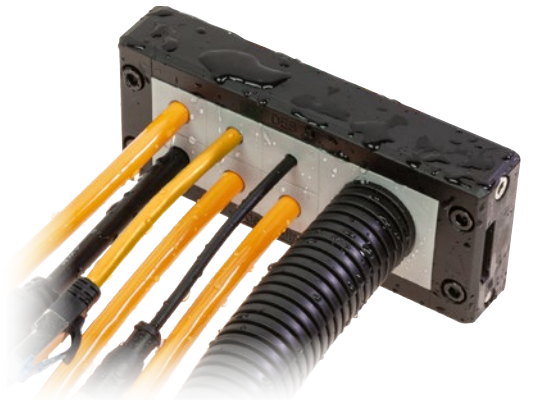


# DES 24

Model	Code	Some possible configurations	Cut-out [mm]	Pcs /pack
DES 24	1731010024		112 x 39	10
Upon request:	1731991020	Set of 4 mounting screws in AISI304 with Black Dacromet finishing		10

## Splittable frame for cables with and without connectors

- ▶ Multiple configurations in the same frame
- ▶ Frame screws in AISI304 Stainless Steel
- ▶ Integrated gasket
- ▶ Strain relief according to EN 62444
- ▶ Sturdy construction IK10
- ▶ IP66 and Nema 4X certified
- ▶ ATEX version on request
- ▶ Threaded inserts version on request



The DES 24 cable entry system consists of a splittable frame designed to accommodate small (SPP), multiple (X) or large (SPG) inserts for cables. The inserts can be freely positioned into the frame.

Thanks to the robust construction, the DES 24 is a long lasting product.

### Technical data

**Material:** PP+GF

**Flammability:** self-extinguishing acc. to UL94-V0

**Temperature:** -40°C... +155°C (static)

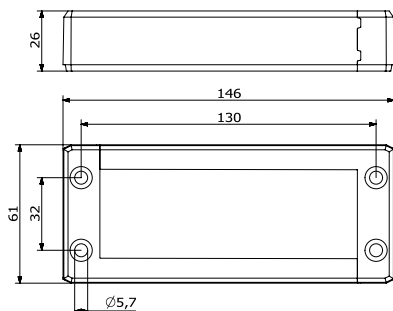
**Features:** halogens and silicones free

### Related products

- Inserts SPG and SPG M
- Inserts SPP
- Inserts SPP 2x
- Inserts SPP 4x
- Flap frame
- DES Cover

Hydraulic punch driver HY360

### Dimensions [mm]



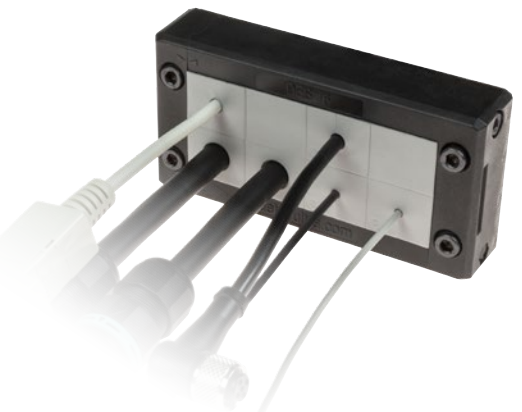


# DES 16

Model	Code	Some possible configurations	Cut-out [mm]	Pcs /pack
DES 16	1731010016		86 x 39	10
Upon request:	1731991020	Set of 4 mounting screws in AISI304 with Black Dacromet finishing		10

## Splittable frame for cables with and without connectors

- ▶ Multiple configurations in the same frame
- ▶ Frame screws in AISI304 Stainless Steel
- ▶ Integrated gasket
- ▶ Strain relief according to EN 62444
- ▶ Sturdy construction IK10
- ▶ IP66 and Nema 4X certified
- ▶ ATEX version on request
- ▶ Threaded inserts version on request



The DES 16 cable entry system consists of a splittable frame designed to accommodate small (SPP), multiple (X) or large (SPG) inserts for cables. The inserts can be freely positioned into the frame.

Thanks to the robust construction, the DES 16 is a long lasting product.

### Technical data

**Material:** PP+GF

**Flammability:** self-extinguishing acc. to UL94-V0

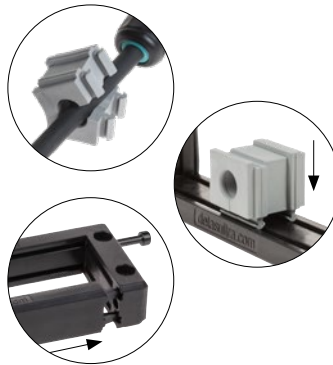
**Temperature:** -40°C... +155°C (static)

**Features:** halogens and silicones free

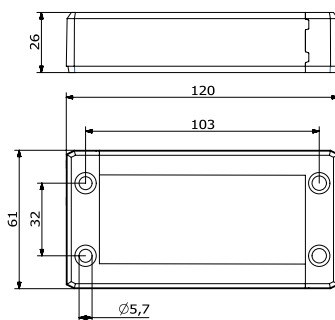
### Related products

- Inserts SPG and SPG M
- Inserts SPP
- Inserts SPP 2x
- Inserts SPP 4x
- Flap frame
- DES Cover

Hydraulic punch driver HY360



### Dimensions [mm]



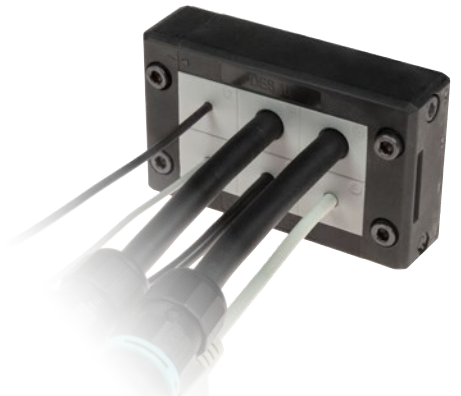


# DES 10

Model	Code	Some possible configurations	Cut-out [mm]	Pcs /pack
DES 10	1731010010		63 x 39	10
Upon request:	1731991020	Set of 4 mounting screws in AISI304 with Black Dacromet finishing		10

## Splittable frame for cables with and without connectors

- ▶ Multiple configurations in the same frame
- ▶ Frame screws in AISI304 Stainless Steel
- ▶ Integrated gasket
- ▶ Strain relief according to EN 62444
- ▶ Sturdy construction IK10
- ▶ IP66 and Nema 4X certified
- ▶ ATEX version on request
- ▶ Threaded inserts version on request



The DES 10 cable entry system consists of a splittable frame designed to accommodate small (SPP), multiple (X) or large (SPG) inserts for cables. The inserts can be freely positioned into the frame.

Thanks to the robust construction, the DES 10 is a long lasting product.

### Technical data

**Material:** PP+GF

**Flammability:** self-extinguishing acc. to UL94-V0

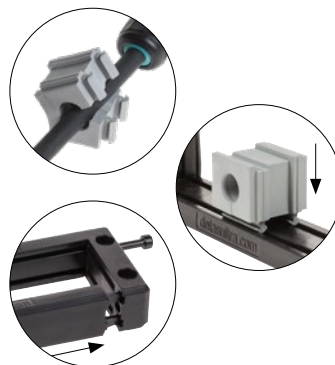
**Temperature:** -40°C... +155°C (static)

**Features:** halogens and silicones free

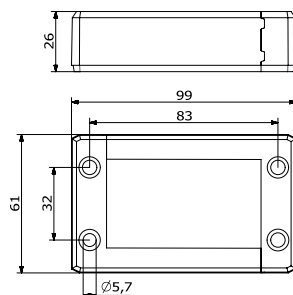
### Related products

- Inserts SPG and SPG M
- Inserts SPP
- Inserts SPP 2x
- Inserts SPP 4x
- Flap frame
- DES Cover

Hydraulic punch driver HY360



### Dimensions [mm]



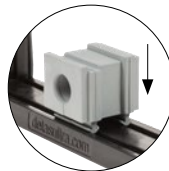
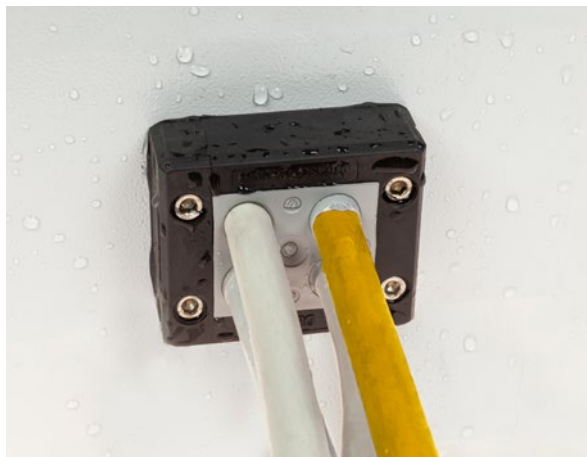
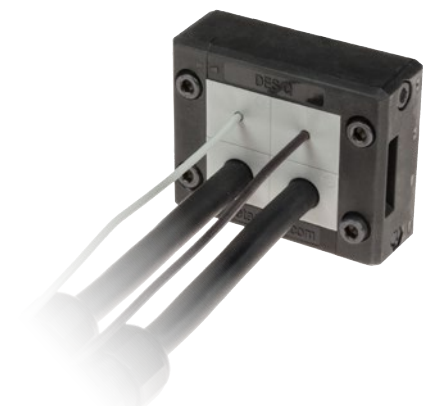




Model	Code	Some possible configurations	Cut-out [mm]	Pcs /pack
DES Q	1731010008		40 x 39	10
Upon request:	1731991020	Set of 4 mounting screws in AISI304 with Black Dacromet finishing		10

## Splittable frame for cables with and without connectors

- ▶ For 4 small or 1 big inserts
- ▶ Frame screws in AISI304 Stainless Steel
- ▶ Integrated gasket
- ▶ Strain relief according to EN 62444
- ▶ Sturdy construction IK10
- ▶ IP66 and Nema 4X certified
- ▶ ATEX version on request
- ▶ Threaded inserts version on request



The DES Q cable entry system consists of a splittable frame designed to accommodate small (SPP), multiple (X) or large (SPG) inserts for cables. The inserts can be freely positioned into the frame.

Thanks to the robust construction, the DES Q is a long lasting product.

### Technical data

**Material:** PP+GF

**Flammability:** self-extinguishing acc. to UL94-V0

**Temperature:** -40°C... +155°C (static)

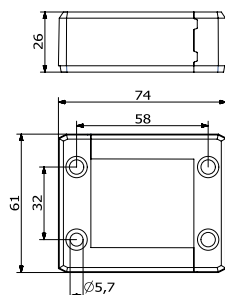
**Features:** halogens and silicones free

### Related products

- Inserts SPG and SPG M
- Inserts SPP
- Inserts SPP 2x
- Inserts SPP 4x
- Flap frame
- DES Cove

Hydraulic punch driver HY360

### Dimensions [mm]





# DES 24-90

Model	Code	Some possible configurations	Cut-out [mm]	Pcs /pack
DES 24-90	1731010124		112 x 39	10



## Splittable frame for cables with and without connectors

- ▶ 90° cable entry
- ▶ Multiple configurations in the same frame
- ▶ Frame screws in AISI304 Stainless Steel
- ▶ IP54
- ▶ Strain relief according to EN 62444
- ▶ Sturdy construction IK10



The 90° cable entry system DES24-90 is used when the machinery construction does not allow the straight entrance of the cables, or when a clean design is needed.

This cable entry system is suitable for both cables with or without connectors and corrugated and corrugated, or a mix of them. The inserts can be freely accommodated into the frame.

### Technical data

**Material:** PP+GF

**Flammability:** self-extinguishing acc. to UL94-V0

**Temperature:** -40°C... +155°C (static)

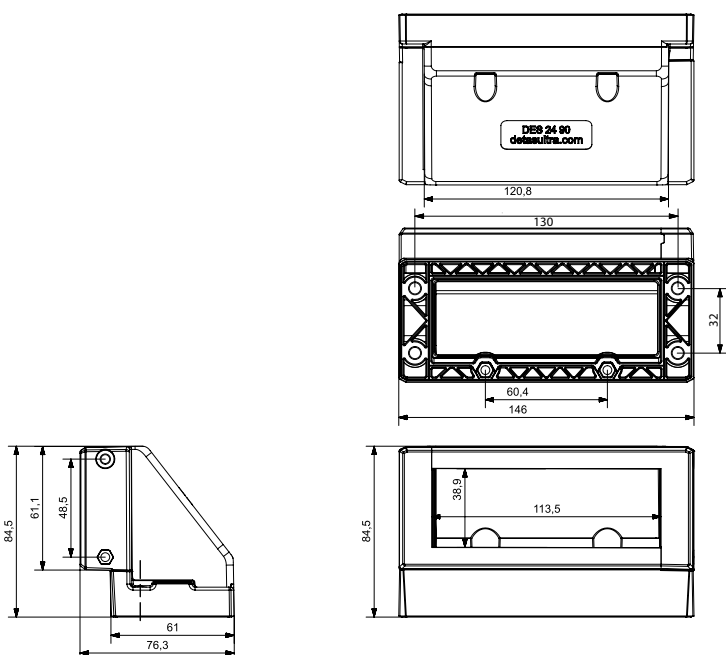
**Features:** halogens and silicones free

### Related products

- Inserts SPG (for corrugates)
- Inserts SPP
- Inserts SPP 2x
- Inserts SPP 4x
- Flap frame
- DES Cove

Hydraulic punch driver HY360

### Dimensions [mm]



1





# DES COVER

Model	Code	Dimensions [mm]		Pcs /pack
		L1	L2	
DES COVER 24	1731032024	146	130	10
DES COVER 16	1731032016	120	103	10
DES COVER 10	1731032010	99	83	10
DES COVER Q	1731032008	74	58	10
Upon request:	1731991020	Set of 4 mounting screws in AISI304 with Black Dacromet finishing		10

## Closing plates for DES series

- ▶ Fast installation
- ▶ Gasket included
- ▶ Same holes position of the DES Systems
- ▶ IP54



The DES COVER plates allow to protect the unused gaps in the cabinet, avoiding contact with the outer environment.

## Technical data





**Material:** PP+GF

**Flammability:** self-extinguishing acc. to UL94-V0

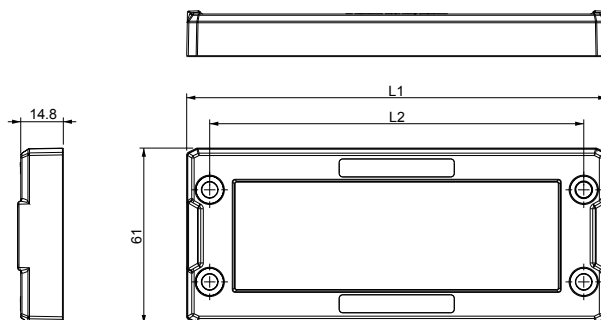
**Temperature:** -40°C... +155°C (static)

**Features:** halogens and silicones free

## Related products

-  DES 24
-  DES 16
-  DES 10
-  DES Q

## Dimensions [mm]





# DES FLAP

Model	Code	Dimensions [mm]		Cut-out [mm]	Pcs /pack
		L1	L2		
DES FLAP 24	1731031024	153	130	112 x 39	10
DES FLAP 16	1731031016	127	103	86 x 39	10
DES FLAP 10	1731031010	106	83	63 x 39	10
DES FLAP Q	1731031008	81	58	40 x 39	10

## Fast fixing solution for DES splittable frames

- ▶ Snap fixing for the DES Series
- ▶ Gasket included
- ▶ Same holes position of the DES Systems
- ▶ IP54



The DES FLAP solution enables the DES 24, 16, 10 and Q frames to be installed with a quick snap-in connection.

The FLAP frame, once installed, hooks over the split frame and is the best solution for a flexible installation. Enclosures can be later inspected quickly and easily be dismantled.

### Technical data


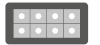


**Material:** PP+GF

**Flammability:** self-extinguishing acc. to UL94-V0

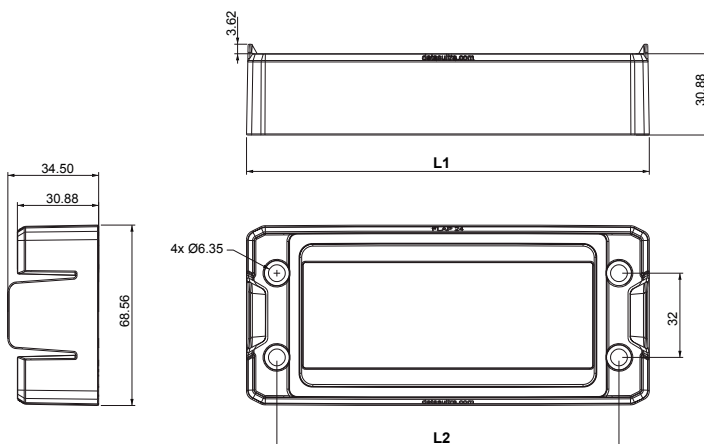
**Temperature:** -40°C... +155°C (static)

**Features:** halogens and silicones free

### Related products

-  DES 24
-  DES 16
-  DES 10
-  DES Q

### Dimensions [mm]



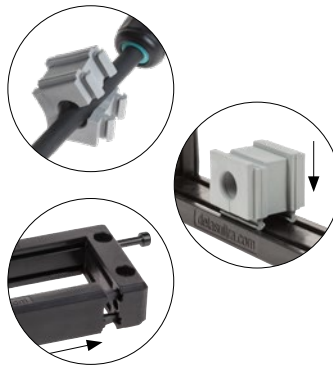


# DES L2/L3

Model	Code	Some possible configurations	Cut-out [mm]	Pcs /pack
DES L2	1731010002		40 x 18	10
DES L3	1731010003		63 x 18	10
Upon request:	1731991010	Set of 2 mounting screws in AISI304 with Black Dacromet finishing		10

## Splittable frame for cables with and without connectors

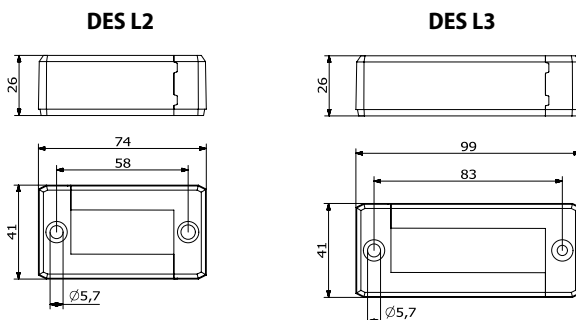
- ▶ For 2 or 3 small SPP grommets
- ▶ Frame screws in AISI304 Stainless Steel
- ▶ Integrated gasket
- ▶ Strain relief according to EN 62444
- ▶ Sturdy construction IK10
- ▶ IP66 and Nema 4X certified
- ▶ ATEX version on request
- ▶ Threaded inserts version on request



The DES L2 and L3 splittable frames enable pre-terminated cables from 2 to 16mm in diameter to pass through enclosure walls, providing strong strain relief and water protection.

1

### Dimensions [mm]



### Technical data

**Material:** PP+GF

**Flammability:** self-extinguishing acc. to UL94-V0

**Temperature:** -40°C... +155°C (static)

**Features:** halogens and silicones free

### Related products

- ◻ Inserts SPP
- ◻◻ Inserts SPP 2x
- ◻◻◻ Inserts SPP 4x



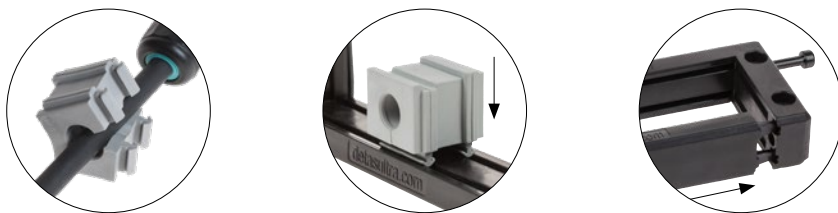
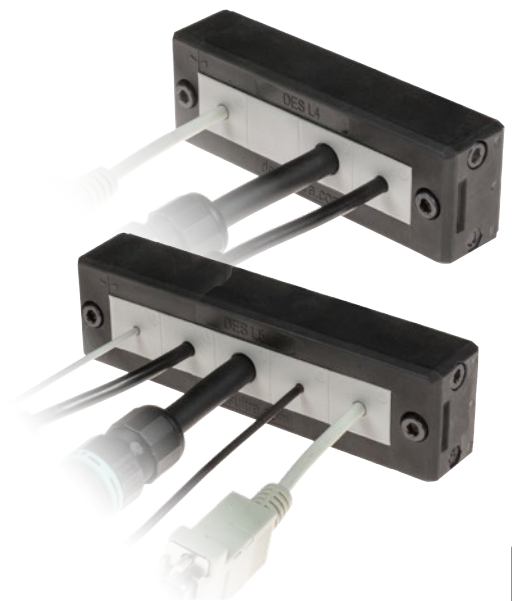


# DES L4/L5

Model	Code	Some possible configurations	Cut-out [mm]	Pcs /pack
DES L4	1731010004		86 x 18	10
DES L5	1731010005		112 x 18	10
Upon request:	1731991010	Set of 2 mounting screws in AISI304 with Black Dacromet finishing		10

## Splittable frame for cables with and without connectors

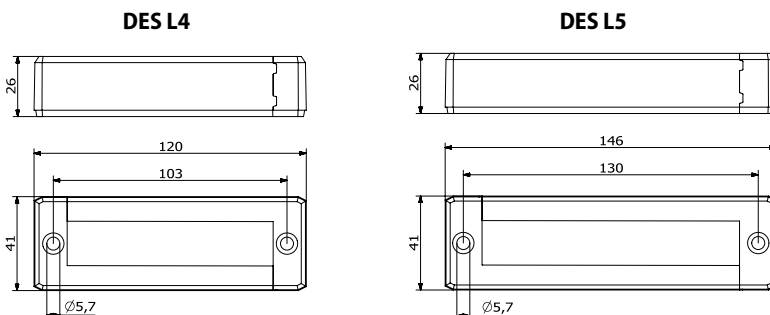
- ▶ For 4 or 5 small SPP grommets
- ▶ Frame screws in AISI304 Stainless Steel
- ▶ Integrated gasket
- ▶ Strain relief according to EN 62444
- ▶ Sturdy construction IK10
- ▶ IP66 and Nema 4X certified
- ▶ ATEX version on request
- ▶ Threaded inserts version on request



The DES L4 and L5 splittable frames enable pre-terminated cables from 2 to 16mm in diameter to pass through enclosure walls, providing strong strain relief and water protection.

1

### Dimensions [mm]



### Technical data

**Material:** PP+GF

**Flammability:** self-extinguishing acc. to UL94-V0

**Temperature:** -40°C... +155°C (static)

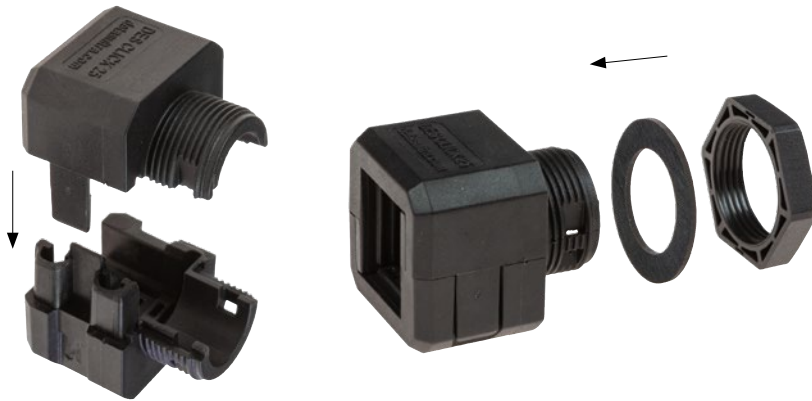
**Features:** halogens and silicones free

### Related products

- ◐ Inserts SPP
- ◐◐ Inserts SPP 2x
- ◐◐◐ Inserts SPP 4x



# Splittable cable glands



## **DESCCLICK**

Snap mounting  
without screws

IP54

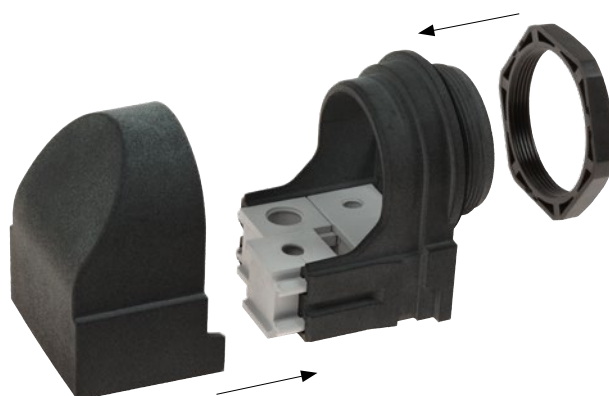
M20 / M25 / M32 / M50

## **DESPRED**

Up to 16 cables

IP66

M25 / M32 / M63



## **DESPRED 90**

90° cable entry

Up to 16 cables or for  
corrugated tubes

IP54

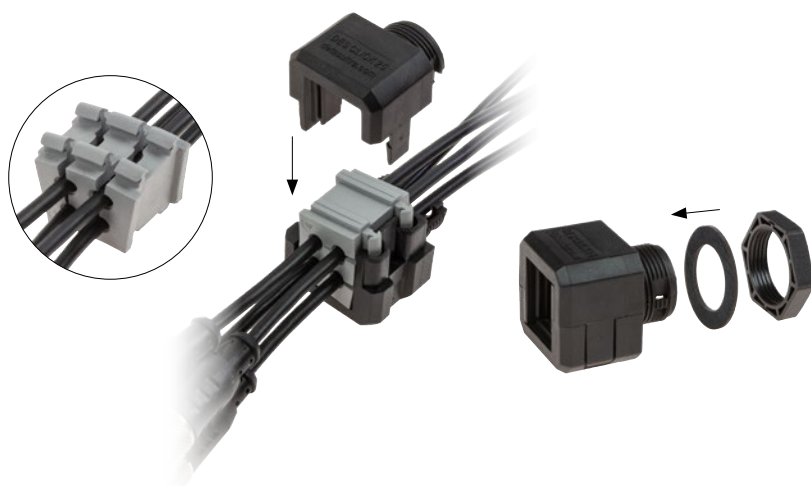
M50



Model	Code	Max. insert sizes			Cut-out Ø [mm]	Pcs /pack
 DESCCLICK 20B	1731051020	SPP 12	SPP 2x5	SPP 4x2	20,5	10
 DESCCLICK 25B	1731051025	SPP 16	SPP 2x6	SPP 4x4	25,5	
 DESCCLICK 32B	1731051032	SPP 16	SPP 2x7	SPP 4x6	32,5	
 DESCCLICK 20G	1731051320	SPP 12	SPP 2x5	SPP 4x2	20,5	10
 DESCCLICK 25G	1731051325	SPP 16	SPP 2x6	SPP 4x4	25,5	
 DESCCLICK 32G	1731051332	SPP 16	SPP 2x7	SPP 4x6	32,5	
<b>DDM SUB-D9</b>	<b>1731052032</b>	<b>Special size M32 for SUB-D9</b>				<b>10</b>

## Splittable cable gland with locknut

- ▶ Fixing without screws
- ▶ Strain relief according to EN 62444
- ▶ Metric sized
- ▶ Sturdy construction IK10
- ▶ IP54
- ▶ White or black version



DESCCLICK is a metric, splittable cable gland for cables with and without connectors.

DESCCLICK works with single, big and multiple cable inserts ranging from 2 to 16mm in diameter.

### Technical data

**Material:** PC

**Flammability:** self-extinguishing acc. to UL94-V0

**Temperature:** -40°C... +130°C (static)

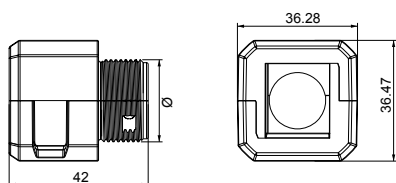
**Features:** halogens and silicones free

### Related products

- Inserts SPP
- Inserts SPP 2x
- Inserts SPP 4x

Hydraulic punch driver HY360

### Dimensions [mm]



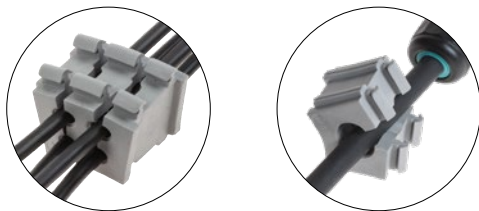




# DESCCLICK 50

Model	Code	Max. insert sizes			Cut-out Ø [mm]	Pcs /pack
		SPP 15	SPP 2x6	SPP 4x3		
<b>DESCCLICK 50B</b>	1731051050				50,5	10
<b>DESCCLICK 50G</b>	1731051350					

### Some possible configurations



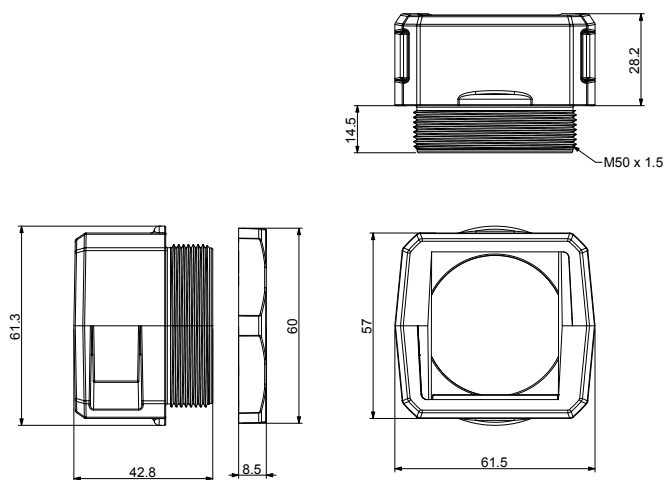
## Splittable cable gland with locknut

- ▶ Fixing without screws
- ▶ Strain relief according to EN 62444
- ▶ M50 metric sized
- ▶ Sturdy construction IK10
- ▶ IP54

DESCCLICK is a M50 metric splittable cable gland for cables with and without connectors.

DESCCLICK works with single, big and multiple cable inserts ranging from 2 to 35 mm in diameter.

### Dimensions [mm]



### Technical data

**Material:** PC

**Flammability:** self-extinguishing acc. to UL94-V0

**Temperature:** -40°C... +130°C (static)

**Features:** halogens and silicones free

### Related products

Inserts SPG

Inserts SPP

Inserts SPP 2x

Inserts SPP 4x

Hydraulic punch driver HY360





# DESPRED 50-90

Model	Code	Some possible configurations	Cut-out Ø [mm]	Pcs /pack
DESPRED 50-90	1731050250		50,5	10

## Splittable cable gland and locknut with 90° entry

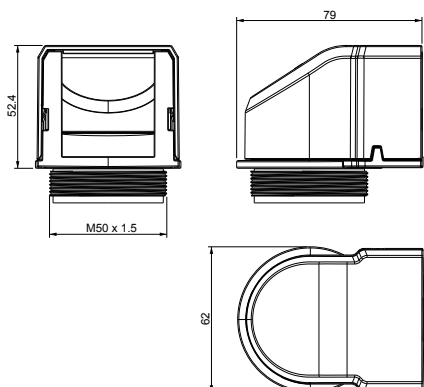
- ▶ Fixing without screws
- ▶ Metric sized
- ▶ Strain relief according to EN 62444
- ▶ IP54
- ▶ Sturdy construction IK10



DESPRED 50-90 is a M50 metric, splittable cable gland with a 90° entry. It works with small, multiple and large inserts for cables ranging from 2 to 16mm in diameter.

The multiple inserts allow to accommodate up to 16 cables. Large grommets are used with corrugated tubes.

### Dimensions [mm]



### Technical data

**Material:** PA66+GF

**Flammability:** self-extinguishing acc. to UL94-V0

**Temperature:** -40°C... +155°C (static)

**Features:** halogens and silicones free

### Related products

- Inserts SPG (for corrugated tubes)
- Inserts SPP
- Inserts SPP 2x
- Inserts SPP 4x

Hydraulic punch driver HY360

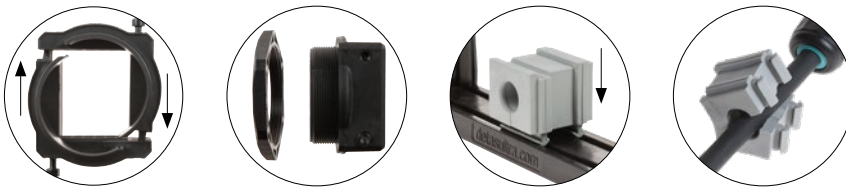
1





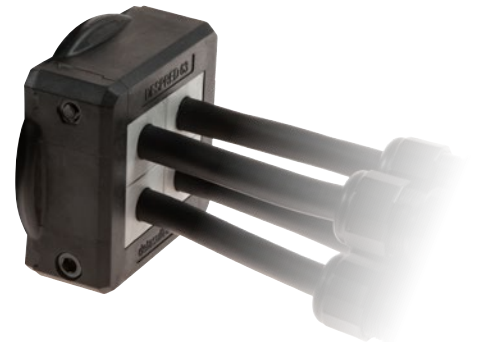
Model	Code	Some possible configurations	Cut-out Ø [mm]	Pcs /pack
DESPRED 25	1731050025		25,5	10
DESPRED 32	1731050032		32,5	
DESPRED 63	1731050063		63,5	10

Model	Code	Special size M32 for SUB-D9	Pcs
DDM SUB-D9	1731052032		10

## Splittable cable gland with locknut

- ▶ Frame screws in AISI304 Stainless Steel with Black Dacromet finishing
- ▶ M25, M32 and M63 metric sized
- ▶ IP66 and Nema 4X certified
- ▶ Strain relief according to EN 62444
- ▶ Sturdy construction IK10
- ▶ Integrated gasket
- ▶ ATEX version on request



The DESPRED series are splittable cable glands for metric threads.

The 63 model can be used with small, multiple and large inserts for cables up to 34 mm diameter. With multiple inserts it is possible to accommodate up to 16 cables. Future cable size changes can also be easily accommodated using various inserts.

### Technical data

**Material:** PP+GF

**Flammability:** self-extinguishing acc. to UL94-V0

**Temperature:** -40°C... +155°C (static)

**Features:** halogens and silicones free

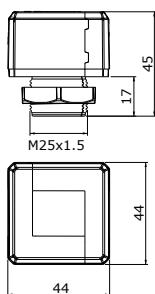
### Related products

- Inserts SPG
- Inserts SPP
- Inserts SPP 2x
- Inserts SPP 4x

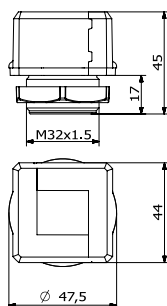
Hydraulic punch driver HY360

### Dimensions [mm]

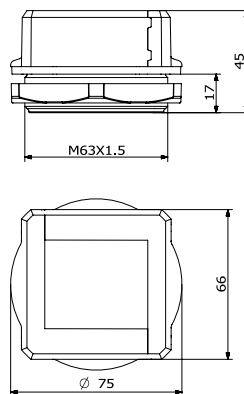
#### DESPRED 25



#### DESPRED 32



#### DESPRED 63





Model	Code	Ø Cable [mm]	Model	Code	Pcs /pack
SPP 0G	1731020100	„blind“	SPP 0B	1731020200	10
SPP 2G	1731020102	2-3	SPP 2B	1731020202	
SPP 3G	1731020103	3-4	SPP 3B	1731020203	
SPP 4G	1731020104	4-5	SPP 4B	1731020204	
SPP 5G	1731020105	5-6	SPP 5B	1731020205	
SPP 6G	1731020106	6-7	SPP 6B	1731020206	
SPP 7G	1731020107	7-8	SPP 7B	1731020207	
SPP 8G	1731020108	8-9	SPP 8B	1731020208	
SPP 9G	1731020109	9-10	SPP 9B	1731020209	
SPP 10G	1731020110	10-11	SPP 10B	1731020210	
SPP 11G	1731020111	11-12	SPP 11B	1731020211	
SPP 12G	1731020112	12-13	SPP 12B	1731020212	
SPP 13G	1731020113	13-14	SPP 13B	1731020213	
SPP 14G	1731020114	14-15	SPP 14B	1731020214	
SPP 15G	1731020115	15-16	SPP 15B	1731020215	
SPP 16G	1731020116	16-17	SPP 16B	1731020216	
SPP 2x2G	1731020304	2 x 2	SPP 2x2B	1731020404	10
SPP 2x3G	1731020306	2 x 3	SPP 2x3B	1731020406	
SPP 2x4G	1731020308	2 x 4	SPP 2x4B	1731020408	
SPP 2x5G	1731020310	2 x 5	SPP 2x5B	1731020410	
SPP 2x6G	1731020312	2 x 6	SPP 2x6B	1731020412	
SPP 2x7G	1731020314	2 x 7	SPP 2x7B	1731020414	
SPP 2x8G	1731020316	2 x 8	SPP 2x8B	1731020416	
SPP 4x2G	1731020318	4 x 2	SPP 4x2B	1731020418	10
SPP 4x3G	1731020320	4 x 3	SPP 4x3B	1731020420	
SPP 4x4G	1731020322	4 x 4	SPP 4x4B	1731020422	
SPP 4x5G	1731020324	4 x 5	SPP 4x5B	1731020424	
SPP 4x6G	1731020326	4 x 6	SPP 4x6B	1731020426	

## DES inserts - small: single, double and quadruple

- ▶ Inserts for pre-terminated cables from 2 to 16 mm in diameter
- ▶ “Blind” version available
- ▶ Grey and black colours available
- ▶ UL94-V0 for both colours



The SPP inserts enable several cables from 2 to 16mm diameter to be installed in the DES splittable frame.

The 2X and 4X versions allow multiple cables in the same grommet.

### Technical data

**Material:** TPE

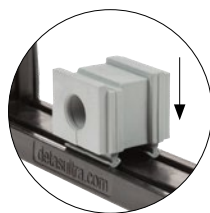
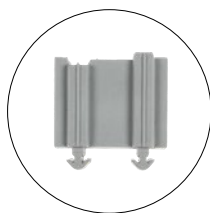
**Flammability:** self-extinguishing acc. to UL94-V0

**Temperature:** -40°C... +110°C (static)

**Features:** halogens and silicones free

### Related products

- |           |        |              |
|-----------|--------|--------------|
| DES 24    | DES L5 | DESPRED      |
| DES 24-90 | DES L4 | DESPRED 90   |
| DES 16    | DES L3 | DESLCLICK    |
| DES 10    | DES L2 | DESLCLICK 50 |
| DES Q     |        |              |

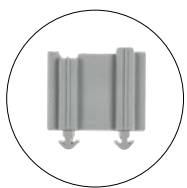




Model	Code	Ø Cable min/max [mm]	Model	Code	Pcs /pack
<b>SPP K0G</b>	<b>1731021100</b>	<b>„blind“</b>	<b>SPP K0B</b>	<b>1731023100</b>	<b>10</b>
<b>SPP K1G</b>	<b>1731021110</b>	<b>2,5/7</b>	<b>SPP K1B</b>	<b>1731023110</b>	
<b>SPP K2G</b>	<b>1731021115</b>	<b>4,5/10</b>	<b>SPP K2B</b>	<b>1731023115</b>	
<b>SPP K3G</b>	<b>1731021120</b>	<b>7,5/12.5</b>	<b>SPP K3B</b>	<b>1731023120</b>	
<b>SPP K4G</b>	<b>1731021125</b>	<b>9/14</b>	<b>SPP K4B</b>	<b>1731023125</b>	

## DES inserts with extended range - for cable without connectors

- ▶ Extended range inserts for **non-terminated cables**
- ▶ Diameters from 2.5 to 14 mm
- ▶ “Blind” insert pierceable available
- ▶ Grey and black colours available
- ▶ UL94-V0 for both colours



Double membrane



The SPP K inserts have a dual function: they can be used as “blind” inserts for future application of single cable without connector or they can be used as single grommet for one cable without connector. The cable size can be chosen between 4 solutions from 2.5 a 14 mm diameter.

The double membrane ensures the highest water and dust protection.

## Technical data

**Material:** TPE

**Flammability:** self-extinguishing acc. to UL94-V0 (grey or black)

**Temperature:** -40°C... +110°C (static)

**Features:** halogens and silicones free

## Related products

- DES 24
- DES 24-90
- DES 16
- DES 10
- DES Q
- DES L5
- DES L4
- DES L3
- DES L2
- DESPRED
- DESPRED 90
- DESCCLICK
- DESCCLICK 50



The SPP M inserts have a dual function: they can be used as “blind” inserts for future application of multiple cables without connector or they can be used in the DES splittable frame as multi grommets for non terminated cables.

The double membrane ensures the highest water and dust protection.



# SPP M

Model	Code	Cable nr. - Ø cables [mm]	Model	Code	Pcs /pack
<b>SPP M4G</b>	<b>1731020504</b>	<b>4 – max. 6</b>	<b>SPP M4B</b>	<b>1731020604</b>	<b>10</b>
<b>SPP M4bG</b>	<b>1731020505</b>	<b>2 – max. 3 2 – max. 7</b>	<b>SPP M4bB</b>	<b>1731020605</b>	



Double membrane



Model	Code	Thread	Model	Code	Pz /pack
					
SPP F8G	1731020708	M8x0,5	SPP F8B	1731020709	10
SPP F12G	1731020712	M12x1	SPP F12B	1731020713	10

## Small inserts with threaded inserts M8 and M12



### Technical data

**Material:** TPE, brass insert

**Flammability:** self-extinguishing acc. to UL94-V0 (grey or black)

**Temperature:** -40°C... +110°C (static)

**Features:** halogens and silicones free

### Related products

DES 24    DES L5    DESPREL  
 DES 24-90    DES L4    DESPREL 90  
 DES 16    DES L3    DESCLICK  
 DES 10    DES L2    DESCLICK 50  
 DES Q

Thanks to the integrated metric thread, the SPP F series can be used as terminals for sensors, pneumatics, etc.

The items for M8 and M12 connectors are standard, other models are available on request.

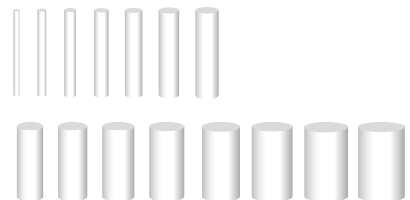


Model	Code	Ø Diameter [mm]	Length [mm]	Pcs /pack
ISP 2	1731040002	2	30	20
ISP 3	1731040003	3		
ISP 4	1731040004	4		
ISP 5	1731040005	5		
ISP 6	1731040006	6		
ISP 7	1731040007	7		
ISP 8	1731040008	8		
ISP 9	1731040009	9		
ISP 10	1731040010	10		
ISP 11	1731040011	11		
ISP 12	1731040012	12		
ISP 13	1731040013	13		
ISP 14	1731040014	14		
ISP 15	1731040015	15		
ISP 16	1731040016	16		

# ISP

## Plugs for SPP series

► Plastic plugs for SPP inserts, from 2 to 16 mm in diameter



1

The ISP plugs fit perfectly into the SPP insert hole restoring the water protection property of the DES splittable frames. These plugs range from 2 to 16 mm in diameter.

### Technical data

**Material:** PA

**Flammability:** self-extinguishing acc. to UL94-V0

**Temperature:** -40°C... +155°C (static)

**Features:** halogens and silicones free

### Related products

SPP    SPP 2x    SPP 4x





# Utility box SPP

Model	Code	Dimensions [mm]	Inserts color	Pcs
Utility box SPP G	1736999870	370 x 300 x 90	■	1
Utility box SPP B	1736999861		■	

## Box with all SPP samples inserts

- ▶ Single hole
- ▶ Multiple
- ▶ Pierceable
- ▶ M & F
- ▶ Grey or black



GREY INSERTS BOX CONTENTS				BLACK INSERTS BOX CONTENTS			
Pcs	Model	Pcs	Model	Pcs	Model	Pcs	Model
4	0G	2	2x2G	4	0B	2	2x2B
4	K0G	2	2x3G	4	K0B	2	2x3B
2	2G	2	2x4G	2	2B	2	2x4B
2	3G	2	2x5G	2	3B	2	2x5B
2	4G	2	2x6G	2	4B	2	2x6B
2	5G	2	2x7G	2	5B	2	2x7B
4	6G	2	2x8G	4	6B	2	2x8B
4	7G			4	7B		
4	8G	2	4x2G	4	8B	2	4x2B
4	9G	2	4x3G	4	9B	2	4x3B
4	10G	2	4x4G	4	10B	2	4x4B
2	11G	2	4x5G	2	11B	2	4x5B
2	12G	2	4x6G	2	12B	2	4x6B
2	13G			2	13B		
2	14G	2	K1G	2	14B	2	K1B
2	15G	2	K2G	2	15B	2	K2B
2	16G	2	K3G	2	16B	2	K3B
		2	K4G			2	K4B
1	F8G	2	M4G	1	F8B	2	M4B
1	F12G	2	M4bG	1	F12B	2	M4bB

This engineering box contains 168pcs of small SPP inserts, grey or black.

It is useful during the mounting but also during the design phase of electrical cabinets or machinery.

The full range of inserts is included.



### Related products

- |           |        |              |
|-----------|--------|--------------|
| DES 24    | DES L5 | DESPRED      |
| DES 24-90 | DES L4 | DESPRED 90   |
| DES 16    | DES L3 | DESCCLICK    |
| DES 10    | DES L2 | DESCCLICK 50 |
| DES Q     |        |              |

1





Model	Code	Ø Cable [mm]	Model	Code	Pcs /pack
					
SPG 0G	1731022000	„blind“	SPG 0B	1731022020	
SPG K0G	1731022300	„blind“ pierceable Ø max. 32	SPG K0B	1731022400	
SPG 17G	1731022117	17-18	SPG 17B	1731022217	10
SPG 18G	1731022118	18-19	SPG 18B	1731022218	
SPG 19G	1731022119	19-20	SPG 19B	1731022219	
SPG 20G	1731022120	20-21	SPG 20B	1731022220	
SPG 21G	1731022121	21-22	SPG 21B	1731022221	
SPG 22G	1731022122	22-23	SPG 22B	1731022222	
SPG 23G	1731022123	23-24	SPG 23B	1731022223	
SPG 24G	1731022124	24-25	SPG 24B	1731022224	
SPG 25G	1731022125	25-26	SPG 25B	1731022225	
SPG 26G	1731022126	26-27	SPG 26B	1731022226	
SPG 27G	1731022127	27-28	SPG 27B	1731022227	
SPG 28G	1731022128	28-29	SPG 28B	1731022228	
SPG 29G	1731022129	29-30	SPG 29B	1731022229	
SPG 30G	1731022130	30-31	SPG 30B	1731022230	
SPG 31G	1731022131	31-32	SPG 31B	1731022231	
SPG 32G	1731022132	32-33	SPG32B	1731022232	
SPG 33G	1731022133	33-34	SPG33B	1731022233	
SPG 34G	1731022134	34-35	SPG34B	1731022234	

## DES insert - large

- ▶ SPG: inserts for **pre-terminated cables** from 17 to 35 mm diameter
- ▶ SPG K0: blind (pierceable) version
- ▶ 2 blind version available
- ▶ Specially designed for corrugated tubes
- ▶ UL94-V0 for both colours, grey and black



SPG K0



1

The SPG inserts enable several cables and corrugated tubes from 17 to 35 mm in diameter to pass through.

Designed to be installed inside the DES splittable frames.

### Technical data

**Material:** TPE

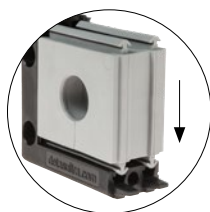
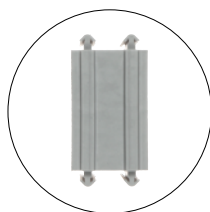
**Flammability:** self-extinguishing acc. to UL94-V0 (grey or black)

**Temperature:** -40°C... +110°C (static)

**Features:** halogens and silicones free

### Related products

- DES 24    DES Q
- DES 24-90    DESPRED 63
- DES 16    DESPRED 90
- DES 10    DESCLICK 50



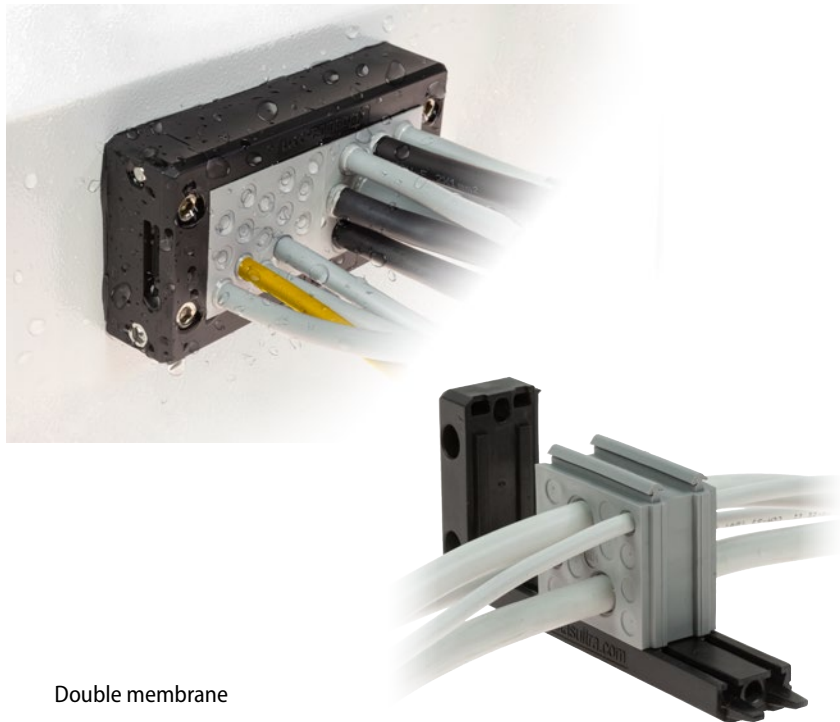




Model	Code	Color	Cable nr. - Ø cables [mm]	Pcs /pack
SPG M7G	1731022307	Grey	4 - max. 13,5 2 - max. 5 1 - max. 9,5	10
SPG M7B	1731022407	Black		
SPG M9G	1731022309	Grey	9 - max. 8,8	
SPG M9B	1731022409	Black		
SPG M14G	1731022314	Grey	12 - max. 6,5 2 - max. 12	
SPG M14B	1731022414	Black		
SPG M15G	1731022315	Grey	15 - max. 7	
SPG M15B	1731022415	Black		

## DES insert - large for cables without connectors - double membrane

- ▶ For high number of **non-terminated cables**
- ▶ Grey and black colours available
- ▶ UL94-V0 for both colours



The SPG M and SPP M inserts enable a high number of cables to be installed in the DES splittable frames.

The cable is pushed through the front membrane, whilst the second membrane increases the strain relief and liquid resistance.

1

### Technical data

**Material:** TPE

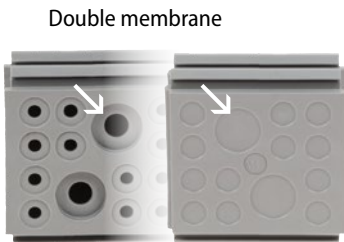
**Flammability:** self-extinguishing acc. to UL94-V0 (grey or black)

**Temperature:** -40°C... +110°C (static)

**Features:** halogens and silicones free

### Related products

- DES 24    DES Q
- DES 24-90    DESPRE D 63
- DES 16    DESPRE D 90
- DES 10    DESCLICK 50





# DES Z

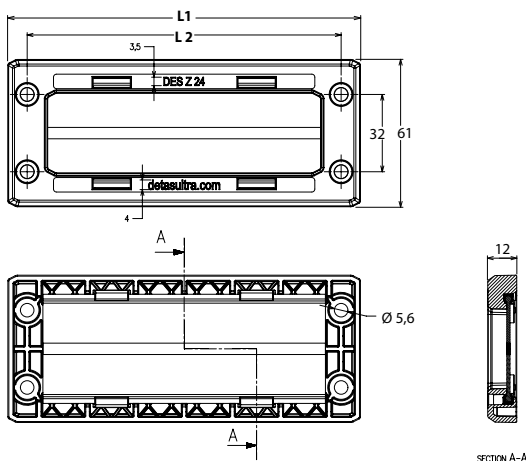
Model	Code	Dimensions [mm]		Cut-out [mm]	Pcs /pack
		L1	L2		
DES Z 24	1731060024	146	130	112 x 39	10
DES Z 16	1731060016	120	103	86 x 39	
DES Z 10	1731060010	99	83	63 x 39	

## Cable frame with brush

- ▶ Brush frame for cables with or without connectors
- ▶ Tidy and cost effective solution
- ▶ Available in three sizes (24, 16 and 10)



### Dimensions [mm]



The DES Z series is meant for the passage of cables with and without connectors, when there is no need for water tightness and strain relief.

Effective protection against dust and debris.

### Technical data

**Material:** PP+GF

**Flammability:** self-extinguishing acc. to UL94-V0

**Temperature:** -40°C... +155°C (static)

**Features:** halogens and silicones free

### Related products

Hydraulic punch driver HY360

1





Model	Code	Dimensions [mm]		Cut-out [mm]	Pcs /pack
		L1	L2		
DES ZZ 24	1731060224	146	130	112 x 39	10
DES ZZ 16	1731060216	120	103	86 x 39	
DES ZZ 10	1731060210	99	83	63 x 39	
DES ZZ Q	1731060208	74	58	40 x 39	
DES ZZ L5	1731060205	146	130	108 x 18	
DES ZZ L4	1731060204	120	103	86 x 18	
DES ZZ L3	1731060203	99	83	63 x 18	
DES ZZ L2	1731060202	74	58	40 x 18	
Upon request:	1731991020	Set of 4 mounting screws in AISI304 with Black Dacromet finishing			10

## Splittable frame with double brush

- ▶ Brush frame for cables with or without connectors
- ▶ Double brush offering increased dust protection
- ▶ 8 different models (24, 16, 10, Q, L5, L4, L3 and L2)



The DES ZZ is a splittable frame with 2 rows of brushes.

The DES ZZ series is meant for the passage of cables with and without connectors, when there is no need for water tightness and strain relief.

Effective protection against dust and debris.

## Technical data

**Material:** PP+GF

**Flammability:** self-extinguishing acc. to UL94-V0

**Temperature:** -40°C... +155°C (static)

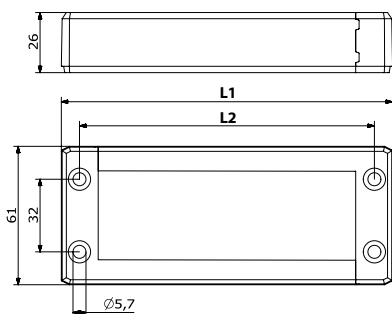
**Features:** halogens and silicones free

## Related products

Flap frame

Hydraulic punch driver HY360

## Dimensions [mm]



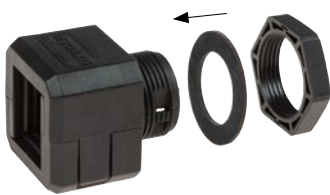


# DESCCLICK Z

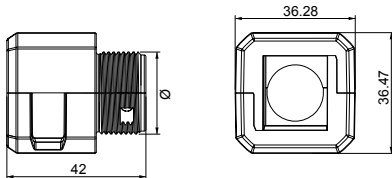
Model	Code	Metric thread	Pcs /pack
DESCCLICK Z 32	1731060332	M32 x 1,5	10
DESCCLICK Z 50	1731060350	M50 x 1,5	

## Splittable cable gland with single brush

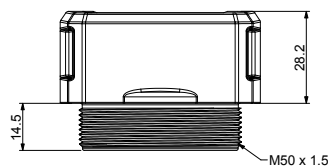
- ▶ Fixing without screws
- ▶ Metric threads M32 and M50
- ▶ Cost efficient solution
- ▶ Black version



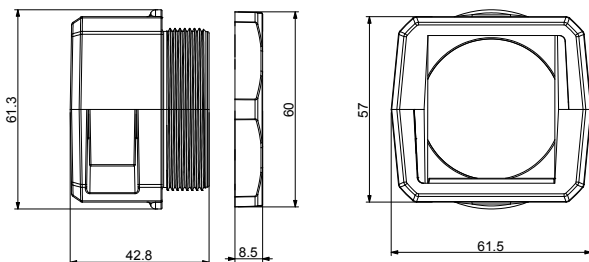
### Dimensions [mm]



DESCCLICK Z 32



DESCCLICK Z 50



DESCCLICK Z is a splittable frame with 1 line of brushes providing protection against dust and debris.

### Technical data

**Material:** PC

**Flammability:** self-extinguishing acc. to UL94-V0

**Temperature:** -40°C... +155°C (static)

**Features:** halogens and silicones free

### Related products

Hydraulic punch driver HY360

1





Model	Code	Metric thread	Pcs /pack
DESPRED ZZ 32	1731060232	M32 x 1,5	10
DESPRED ZZ 63	1731060263	M63 x 1,5	10

Model	Code	Metric thread	Pcs /pack
DDM SUB-D9	1731052032	Special size M32 for SUB-D9	10



## Splittable frame and locknut with double brush

- ▶ Double brush frame for pre and non-terminated cables
- ▶ Frame screws in AISI304 Stainless Steel with Black Dacromet finishing
- ▶ Metric threads M32 and M63
- ▶ Double frame offering increased dust protection

DESPRED ZZ consists of a square frame with two rows of brushes.

Excellent protection is offered against dust and debris.

1

### Technical data

**Material:** PP+GF

**Flammability:** self-extinguishing acc. to UL94-V0

**Temperature:** -40°C... +155°C (static)

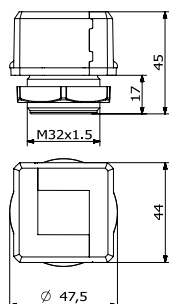
**Features:** halogens and silicones free

### Related products

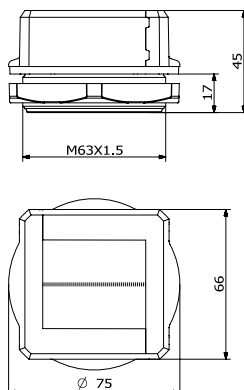
Hydraulic punch driver HY360

### Dimensions [mm]

#### DESPRED ZZ 32



#### DESPRED ZZ 63



# Group 2

Entry system for non-terminated cables





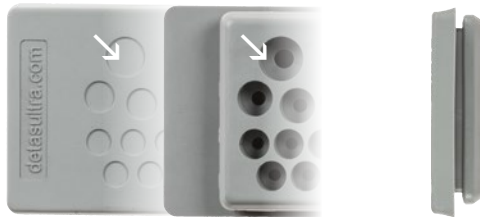
Model	Code	Cable nr. - Ø cables [mm]	Dimensions [mm]		Pcs /pack
			Cut-out	Plate	
DES PM 24/12G	1732052412	12 - max. 15	112 x 36 max. +0.5	144 x 46	10
DES PM 24/14G	1732052414	14 - max. 12,1			
DES PM 24/17G	1732052417	5 - max. 10,5 12 - max. 12,6			
DES PM 24/18G	1732052418	4 - max. 6,5 5 - max. 10,5 5 - max. 12,6 4 - max. 16,1			
DES PM 24/20G	1732052420	13 - max. 6,5 7 - max. 12,1			
DES PM 24/26G	1732052426	16 - max. 6,5 4 - max. 12,1 4 - max. 16,1 2 - ASI cable			
DES PM 24/42G	1732052442	1 - max. 4,7 12 - max. 5 17 - max. 6,4 12 - max. 7,2			
DES PM 24/48G	1732052448	48 - max. 6,5			
DES PM 24/50G	1732052450	33 - max. 5,3 9 - max. 6,4 8 - max. 8,3			

## Cable entry plates for non-terminated cables

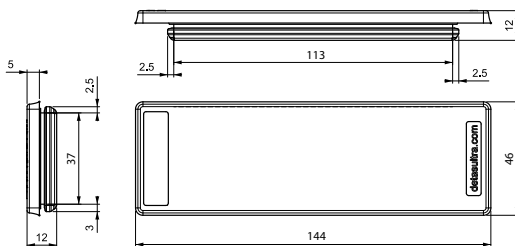
- ▶ For large number of cables
- ▶ High retaining force thanks to the double membrane
- ▶ Cost efficient solution
- ▶ High IP grade (IP65)



Double membrane



### Dimensions [mm]



The DES PM 24 is an alternative to standard cable glands on electrical, electronic and telecommunication cabinets and equipment.

The cable is pushed through the front membrane, whilst the second membrane increases the strain relief and liquid resistance.

2

### Technical data

**Material:** TPE

**Flammability:** self-extinguishing acc. to UL94-V0

**Temperature:** -40°C... +105°C (static)

**Features:** halogens and silicones free

**Wall thickness:** from 1.5 to 2.5 mm

### Related products

Hydraulic punch driver HY360





Model	Code	Cable nr. - Ø cables [mm]	Dimensions [mm]		Pcs /pack
			Cut-out	Plate	
DES PM 24/12B	1732053413	12 - max. 15	112 x 36 max. +0.5	144 x 46	10
DES PM 24/14B	1732053415	14 - max. 12,1			
DES PM 24/17B	1732053418	5 - max. 10,5 12 - max. 12,6			
DES PM 24/18B	1732053419	4 - max. 6,5 5 - max. 10,5 5 - max. 12,6 4 - max. 16,1			
DES PM 24/20B	1732053421	13 - max. 6.5 7 - max. 12,1			
DES PM 24/26B	1732053427	16 - max. 6.5 4 - max. 12,1 4 - max. 16,1 2 - ASI cable			
DES PM 24/42B	1732053443	1 - max. 4.7 12 - max. 5 17 - max. 6,4 12 - max. 7,2			
DES PM 24/48B	1732053449	48 - max. 6.5			
DES PM 24/50B	1732053451	33 - max. 5,3 9 - max. 6,4 8 - max. 8,3			

## Cable entry plates for non-terminated cables

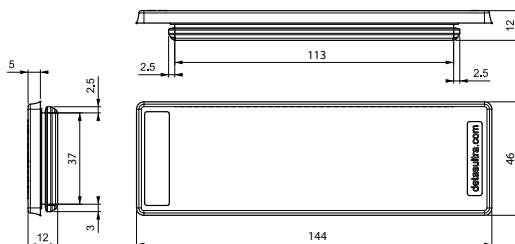
- ▶ For large number of cables
- ▶ High retaining force thanks to the double membrane
- ▶ Cost efficient solution
- ▶ High IP grade (IP65)



Double membrane



### Dimensions [mm]



The DES PM 24 is an alternative to standard cable glands on electrical, electronic and telecommunication cabinets and equipment.

The cable is pushed through the front membrane, whilst the second membrane increases the strain relief and liquid resistance.

2

### Technical data

**Material:** TPE

**Flammability:** self-extinguishing acc. to UL94-V0

**Temperature:** -40°C... +105°C (static)

**Features:** halogens and silicones free

**Wall thickness:** from 1.5 to 2.5 mm

### Related products

Hydraulic punch driver HY360







Model	Code	Cable nr. - Ø cables [mm]	Dimensions [mm]		Pcs /pack
			Cut-out A1xA2	Plate L1xL2	
DES PM S 46/7G	1732074607	2 - max. 6,5 5 - max. 8,3	46 x 18 max. +0,5	64 x 28	10
DES PM S 46/9G	1732074609	8 - max. 6,5 1 - max. 12,1			
<b>NEW</b> DES PM S 69/8G	1732076908	8 - max. 6,5	69 x 10 max. +0,5	86 x 20	
DES PM S 86/11G	1732078611	2 - max. 6,5 9 - max. 8,35	85 x 18 max. +0,5	103 x 28	
DES PM S 86/17G	1732078617	16 - max. 6,5 1 - max. 12,1			
DES PM S 112/21G	1732071221	16 - max. 6,5 4 - max. 8,3 1 - max. 12,1	112 x 18 max. +0,5	130 x 28	

## Cable entry plates for non-terminated cables

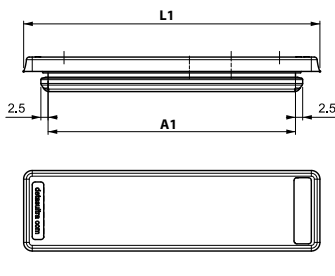
- ▶ For many cables in a limited space
- ▶ High retaining force thanks to the double membrane
- ▶ Cost efficient solution
- ▶ High IP grade (IP65)



Double membrane



### Dimensions [mm]



The DES PM S is an alternative to standard cable glands on electrical, electronic and telecommunication cabinets and equipment.

The cable is pushed through the front membrane, whilst the second membrane increases the strain relief and liquid resistance.

### Technical data

**Material:** TPE

**Flammability:** self-extinguishing acc. to UL94-V0

**Temperature:** -40°C... +105°C (static)

**Features:** halogens and silicones free

**Wall thickness:** from 1.5 to 2.5 mm





Model	Code	Cable nr. - Ø cables [mm]	Dimensions [mm]		Pcs /pack
			Cut-out A1xA2	Plate L1xL2	
DES PM S 46/7B	1732074608	2 - max. 6,5 5 - max. 8,3	46 x 18 max. +0,5	64 x 28	10
DES PM S 46/9B	1732074610	8 - max. 6,5 1 - max. 12,1			
<b>NEW</b> DES PM S 69/8B	1732076909	8 - max. 6,5	69 x 10 max. +0,5	86 x 20	
DES PM S 86/11B	1732078612	2 - max. 6,5 9 - max. 8,35	85 x 18 max. +0,5	103 x 28	
DES PM S 86/17B	1732078618	16 - max. 6,5 1 - max. 12,1			
DES PM S 112/21B	1732071222	16 - max. 6,5 4 - max. 8,3 1 - max. 12,1	112 x 18 max. +0,5	130 x 28	

## Cable entry plates for non-terminated cables

- ▶ For many cables in a limited space
- ▶ High retaining force thanks to the double membrane
- ▶ Cost efficient solution
- ▶ High IP grade (IP65)



Double membrane

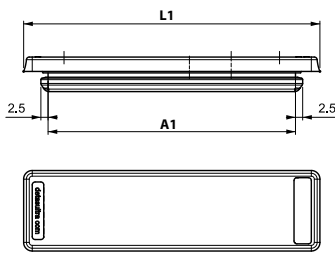


The DES PM S is an alternative to standard cable glands on electrical, electronic and telecommunication cabinets and equipment.

The cable is pushed through the front membrane, whilst the second membrane increases the strain relief and liquid resistance.

2

### Dimensions [mm]



### Technical data

**Material:** TPE

**Flammability:** self-extinguishing acc. to UL94-V0

**Temperature:** -40°C... +105°C (static)

**Features:** halogens and silicones free

**Wall thickness:** from 1.5 to 2.5 mm

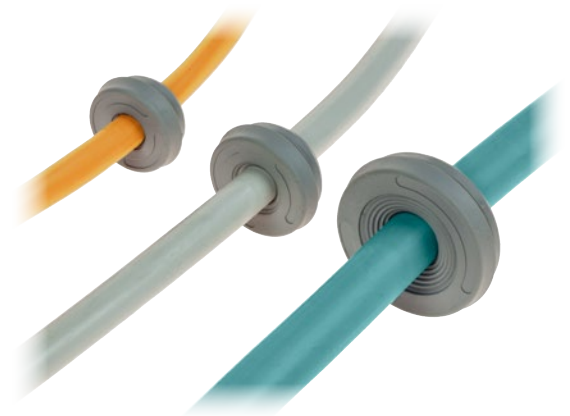




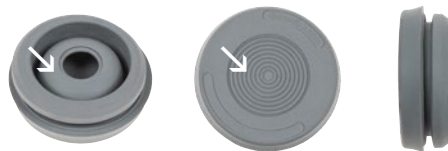
Model	Code	Cable nr. - Ø cables [mm]	Dimensions [mm]		Pcs /pack
			Ø A- cut-out	Ø P- diameter	
DES PMU 16G	1732060116	1 - max. 10	16,5	24	10
DES PMU 20G	1732060120	1 - max. 13	20,5	29	
DES PMU 25G	1732060125	1 - max. 15	25,4	34	
DES PMU 32G	1732260132	1 - max. 22	32,5	40	
DES PMU 16B	1732061116	1 - max. 10	16,5	24	
DES PMU 20B	1732061120	1 - max. 13	20,5	29	
DES PMU 25B	1732061125	1 - max. 15	25,4	34	
DES PMU 32B	1732261132	1 - max. 22	32,5	40	

## Round cable entry plates with double membrane for single cable

- ▶ Metric sized
- ▶ Quick to install
- ▶ Cost efficient solution
- ▶ High IP grade (IP66-67)
- ▶ Reduced thickness



Double membrane



The round metric DES PMU is a single cable alternative to standard cable glands on electrical, electronic and telecommunication cabinets and equipment.

The cable is pushed through the front membrane, whilst the second membrane increases the strain relief and liquid resistance.

2

### Technical data

**Material:** TPE

**Flammability:** self-extinguishing acc. to UL94-V0

**Temperature:** -40°C... +105°C (static)

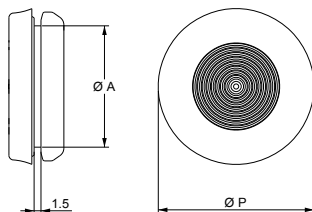
**Features:** halogens and silicones free

**Wall thickness:** from 1.5 to 2.5 mm

### Related products

Hydraulic punch driver HY360

### Dimensions [mm]





Model	Code	Cable nr. - Ø cables [mm]	Dimensions [mm]		Pcs /pack
			Ø Cut-out	Ø Plate	
DES PM M 25/4G	type 1: 1732062504	4 - max. 8	min.: 25 max.: 26 recomm.: 25,5	34	10
DES PM M 25/6G	type 1: 1732062506	4 - max. 5,2 2 - max. 9,4			
DES PM M 32/10G	type 1: 1732063210 type 2: 1732263210	6 - max. 5,2 2 - max. 6,4 2 - max. 9,4	min.: 32 max.: 33 recomm.: 32,5	40	10
DES PM M 50/9G	type 1: 1732065009	5 - max. 7 4 - max. 18,3			
DES PM M 50/11G	type 1: 1732065011	7 - max. 7 3 - max. 11,4 1 - max. 22			
DES PM M 50/12G	type 1: 1732065012 type 2: 1732265012	10 - max. 9 2 - max. 11,4			
DES PM M 50/15G	type 1: 1732065015	2 - max. 6 4 - max. 7,2 4 - max. 9,7 5 - max. 12	min.: 50 max.: 51 recomm.: 50,5	62	10
DES PM M 50/17G	type 1: 1732065017	5 - max. 5,5 5 - max. 6,5 3 - max. 9,7 4 - max. 11,4			
DES PM M 50/20G	type 1: 1732065020	16 - max. 6,5 4 - max. 9,7			

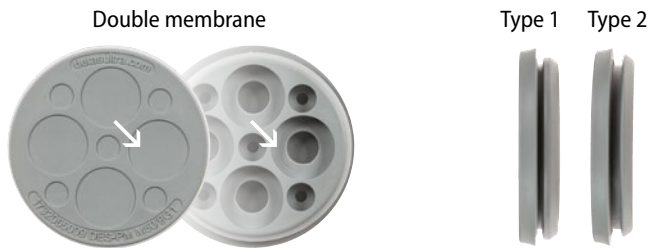
## Round cable entry plates for non-terminated cables

- ▶ For large number of cables
- ▶ High retaining force thanks to the double membrane
- ▶ Cost efficient solution
- ▶ High IP grade (IP65)
- ▶ Metric sized



The round metric DES PM M is an alternative to standard cable glands on electrical, electronic and telecommunication cabinets and equipment.

The cable is pushed through the front membrane, whilst the second membrane increases the strain relief and liquid resistance.



## Technical data

**Material:** TPE

**Flammability:** self-extinguishing acc. to UL94-V0

**Temperature:** -40°C... +105°C

**Features:** halogens and silicones free

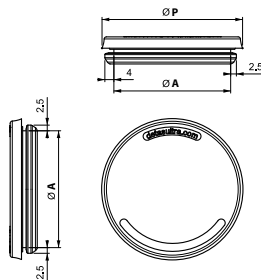
**Type 1:** wall thickness from 1.5 to 2.5 mm

**Type 2:** wall thickness from 2.8 to 4 mm

## Related products

Hydraulic punch driver HY360

## Dimensions [mm]





Model	Code	Cable nr. - Ø cables [mm]	Dimensions [mm]		Pcs /pack
			Ø Cut-out	Ø Plate	
DES PM M 25/4B	type 1: 1732063505	4 - max. 8	min.: 25 max.: 26 recomm.: 25,5	34	10
DES PM M 25/6B	type 1: 1732063507	4 - max. 5,2 2 - max. 9,4			
DES PM M 32/10B	type 1: 1732064211 type 2: 1732264211	6 - max. 5,2 2 - max. 6,4 2 - max. 9,4	min.: 32 max.: 33 recomm.: 32,5	40	10
DES PM M 50/9B	type 1: 1732066010	5 - max. 7 4 - max. 18,3			
DES PM M 50/11B	type 1: 1732066012	7 - max. 7 3 - max. 11,4 1 - max. 22			
DES PM M 50/12B	type 1: 1732066013 type 2: 1732266013	10 - max. 9 2 - max. 11,4	min.: 50 max.: 51 recomm.: 50,5	62	10
DES PM M 50/15B	type 1: 1732066016	2 - max. 6 4 - max. 7,2 4 - max. 9,7 5 - max. 12			
DES PM M 50/17B	type 1: 1732066018	5 - max. 5,5 5 - max. 6,5 3 - max. 9,7 4 - max. 11,4			
DES PM M 50/20B	type 1: 1732066021	16 - max. 6,5 4 - max. 9,7			

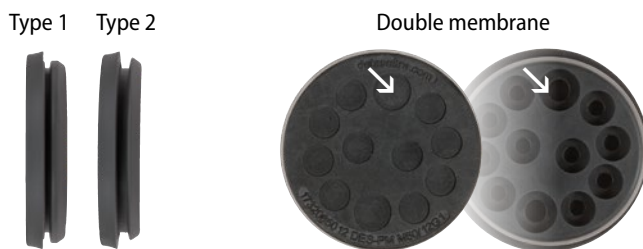
## Round cable entry plates for non-terminated cables

- ▶ For large number of cables
- ▶ High retaining force thanks to the double membrane
- ▶ Cost efficient solution
- ▶ High IP grade (IP65)
- ▶ Metric sized



The round metric DES PM M is an alternative to standard cable glands on electrical, electronic and telecommunication cabinets and equipment.

The cable is pushed through the front membrane, whilst the second membrane increases the strain relief and liquid resistance.



## Technical data

**Material:** TPE

**Flammability:** self-extinguishing acc. to UL94-V0

**Temperature:** -40°C... +105°C

**Features:** halogens and silicones free

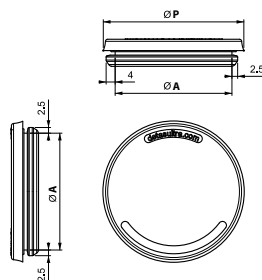
**Type 1:** wall thickness from 1.5 to 2.5 mm

**Type 2:** wall thickness from 2.8 to 4 mm

## Related products

Hydraulic punch driver HY360

### Dimensions [mm]





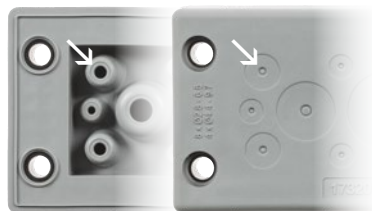
Model	Code	Cable nr. - Ø cables min/max [mm]	Dimensions [mm]		Pcs /pack
			Cut-out	Plate	
DES PDM 24/14G	1732012414	10 - 2,8 / 6,5 4 - 14,5 / 22	112 x 36	148,6 x 59,6	10
DES PDM 24/15G	1732012415	15 - 6,8 / 12			
DES PDM 24/16G	1732012416	8 - 2,8 / 6,5 4 - 4,4 / 9,7 2 - 8,6 / 16,2 2 - 14,5 / 22			
DES PDM 24/17G	1732012417	6 - 2,8 / 6,5 6 - 4,6 / 10,2 5 - 8,6 / 16,2			
DES PDM 24/25G	1732012425	12 - 2,8 / 6,5 7 - 4,4 / 9,7 6 - 6,8 / 12			
DES PDM 24/32G	1732012432	21 - 2,8 / 6,5 8 - 4,6 / 10,2 3 - 6,8 / 12			
DES PDM 24/42G	1732012442	42 - 2,8 / 6,5			

## Cable entry plates with internal frame

- ▶ For large number of non-terminated cables
- ▶ High strain relief thanks to the double membrane
- ▶ Cost efficient solution
- ▶ IP66 and Nema 4X certified
- ▶ ATEX version on request
- ▶ Threaded inserts version on request



Double membrane

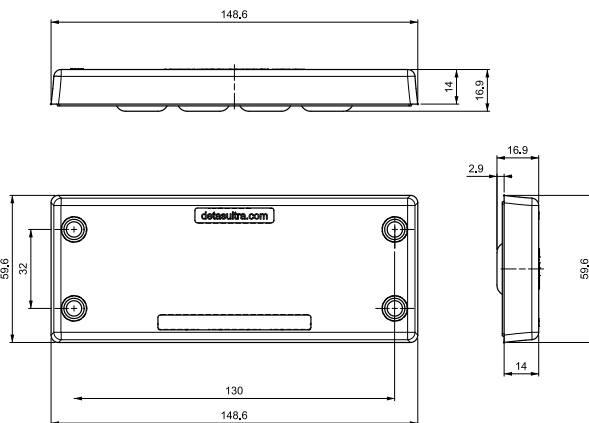


The DES PDM 24 is an innovative alternative to standard cable glands on electrical, electronic and telecommunication cabinets and equipment.

The cable is pushed through the front membrane, whilst the second membrane increases the strain relief and liquid resistance.

2

### Dimensions [mm]



## Technical data

**Material:** TPE

**Flammability:** self-extinguishing acc. to UL94-V0

**Temperature:** -40°C... +105°C (static)

**Features:** halogens and silicones free

## Related products

Hydraulic punch driver HY360

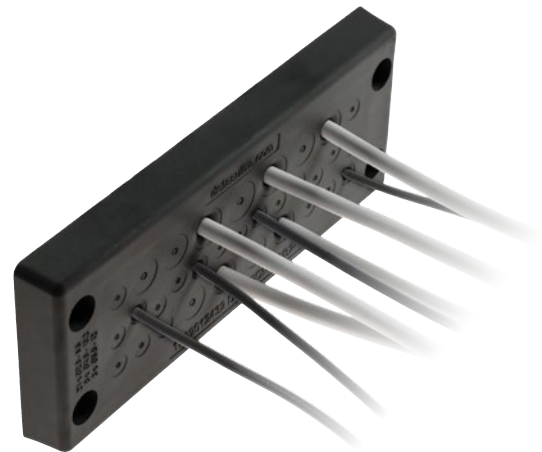




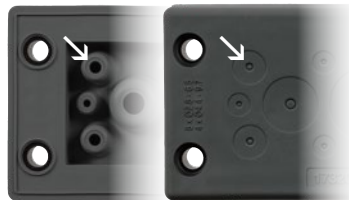
Model	Code	Cable nr. - Ø cables min/max [mm]	Dimensions [mm]		Pcs /pack
			Cut-out	Plate	
DES PDM 24/14B	1732013415	10 - 2,8 / 6,5 4 - 14,5 / 22	112 x 36	148,6 x 59,6	10
DES PDM 24/15B	1732013416	15 - 6,8 / 12			
DES PDM 24/16B	1732013417	8 - 2,8 / 6,5 4 - 4,4 / 9,7 2 - 8,6 / 16,2 2 - 14,5 / 22			
DES PDM 24/17B	1732013418	6 - 2,8 / 6,5 6 - 4,6 / 10,2 5 - 8,6 / 16,2			
DES PDM 24/25B	1732013426	12 - 2,8 / 6,5 7 - 4,4 / 9,7 6 - 6,8 / 12			
DES PDM 24/32B	1732013433	21 - 2,8 / 6,5 8 - 4,6 / 10,2 3 - 6,8 / 12			
DES PDM 24/42B	1732013443	42 - 2,8 / 6,5			

## Cable entry plates with internal frame

- ▶ For large number of non-terminated cables
- ▶ High strain relief thanks to the double membrane
- ▶ Cost efficient solution
- ▶ IP66 and Nema 4X certified
- ▶ ATEX version on request
- ▶ Threaded inserts version on request



Double membrane

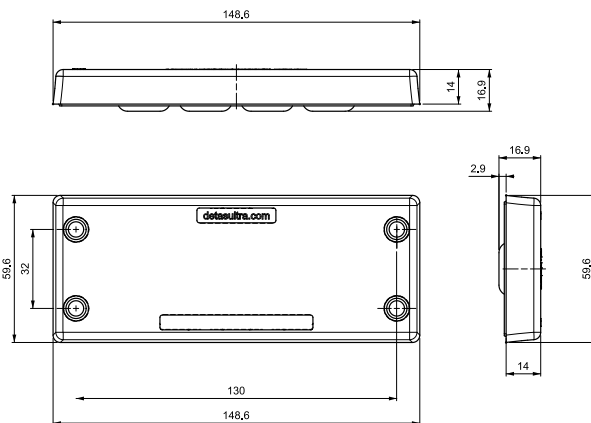


The DES PDM 24 is an innovative alternative to standard cable glands on electrical, electronic and telecommunication cabinets and equipment.

The cable is pushed through the front membrane, whilst the second membrane increases the strain relief and liquid resistance.

2

### Dimensions [mm]



## Technical data

**Material:** TPE

**Flammability:** self-extinguishing acc. to UL94-V0

**Temperature:** -40°C... +105°C (static)



**Features:** halogens and silicones free

## Related products

Hydraulic punch driver HY360





Model	Code	Cable nr. - Ø cables min/max [mm]	Dimensions [mm]		Pcs /pack
			Cut-out	Plate	
 DES PDM S 112/7G	1732021127	7 - 6,8 / 12	112x18	150x32	10
 DES PDM S 112/7B	1732022127	7 - 6,8 / 12	112x18	150x32	10

## Cable entry plates with internal frame

- ▶ For several number of non-terminated cables in a limited space
- ▶ High strain relief thanks to the double membrane
- ▶ Cost efficient solution
- ▶ High IP grade (IP65)
- ▶ Threaded inserts version on request



Double membrane



The DES PDM S is an innovative alternative to standard cable glands on electrical, electronic and telecommunication cabinets and equipment.

The cable is pushed through the front membrane, whilst the second membrane increases the strain relief and liquid resistance.

### Technical data

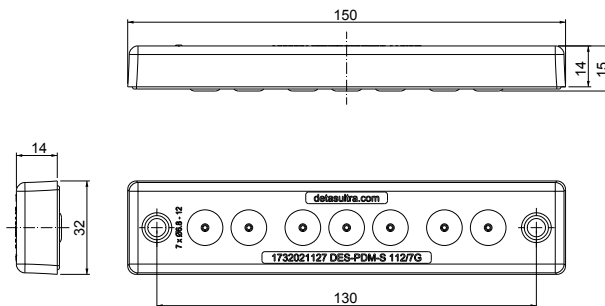
**Material:** TPE

**Flammability:** self-extinguishing acc. to UL94-V0

**Temperature:** -40°C... +105°C (static)

**Features:** halogens and silicones free

### Dimensions [mm]



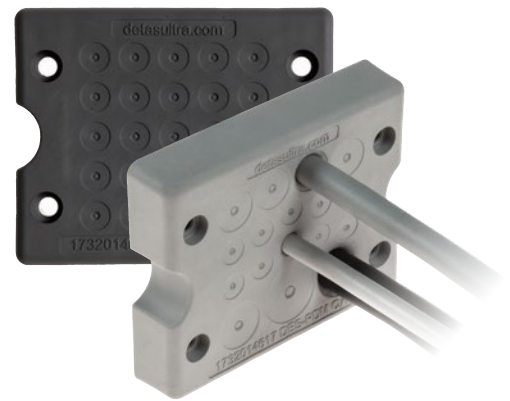




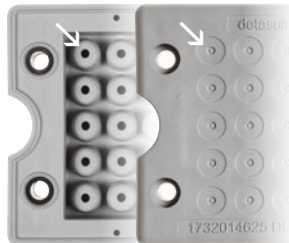
Model	Code	Cable nr. - Ø cables min/max [mm]	Dimensions [mm]		Pcs /pack
			Cut-out	Plate	
DES PDM Q 13G	1732014613	8 - 2.8 / 6.5 4 - 4.6 / 10.2 1 - 14.5 / 22	46 x 46	74x60	10
DES PDM Q 17G	1732014617	10 - 2.8 / 6.5 4 - 4.6 / 10.2 2 - 6.8 / 12 1 - 8.6 / 16.2			
DES PDM Q 25G	1732014625	25 - 2.8 / 6.5			
DES PDM Q 13B	1732015614	8 - 2.8 / 6.5 4 - 4.6 / 10.2 1 - 14.5 / 22	46 x 46	74x60	10
DES PDM Q 17B	1732015618	10 - 2.8 / 6.5 4 - 4.6 / 10.2 2 - 6.8 / 12 1 - 8.6 / 16.2			
DES PDM Q 25B	1732015626	25 - 2.8 / 6.5			

## Cable entry plates with internal frame

- ▶ For several number of non-terminated cables in a limited space
- ▶ High strain relief thanks to the double membrane
- ▶ Cost efficient solution
- ▶ IP66 and Nema 4X certified
- ▶ ATEX version on request
- ▶ Threaded inserts version on request



Double membrane

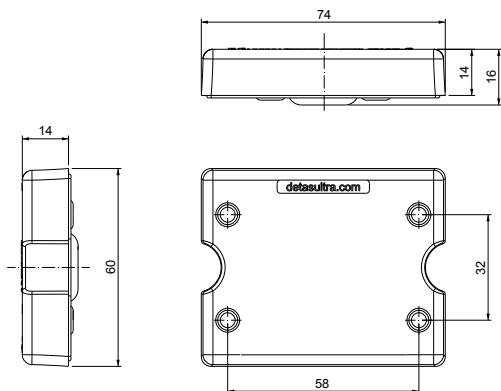


The DES PDM Q is an innovative alternative to standard cable glands on electrical, electronic and telecommunication cabinets and equipment.

The cable is pushed through the front membrane, whilst the second membrane increases the strain relief and liquid resistance.

2

### Dimensions [mm]



### Technical data

**Material:** TPE

**Flammability:** self-extinguishing acc. to UL94-V0

**Temperature:** -40°C... +105°C (static)

**Features:** halogens and silicones free

### Related products

Hydraulic punch driver HY360





Model	Code	Cable nr. - Ø cables [mm]	Dimensions [mm]			Pcs /pack
			Thread	Ø Cut-out	Ø Plate	
DES PDMU 20G	1732030120	1 - max. 10,5	M20	20,5	36	10
DES PDMU 25G	1732030125	1 - max. 16	M25	25,5	40	
DES PDMU 32G	1732030132	1 - max. 22	M32	32,5	46	
DES PDMU 20B	1732031120	1 - max. 10,5	M20	20,5	36	
DES PDMU 25B	1732031125	1 - max. 16	M25	25,5	40	
DES PDMU 32B	1732031132	1 - max. 22	M32	32,5	46	

## Round cable entry plates with internal frame and double membrane for single cable

- ▶ Metric sized
- ▶ High retaining force thanks to the double membrane
- ▶ Cost efficient solution
- ▶ High IP grade (IP66)
- ▶ Reduced thickness
- ▶ ATEX version on request



Double membrane



The cable entry plates series DES PDMU are used to save space and time as alternative to cable glands. They use the metric holes on cabinets or machinery and the nutlock guarantees a strong strain relief and highest water and dust protection.

The cable is pushed through the front membrane, whilst the second membrane increases the strain relief and liquid resistance.

### Technical data

**Material:** TPE

**Flammability:** self-extinguishing acc. to UL94-V0

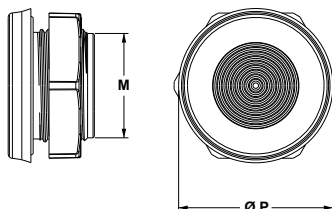
**Temperature:** -40°C... +105°C (static)

**Features:** halogens and silicones free

### Related products

Hydraulic punch driver HY360

### Dimensions [mm]

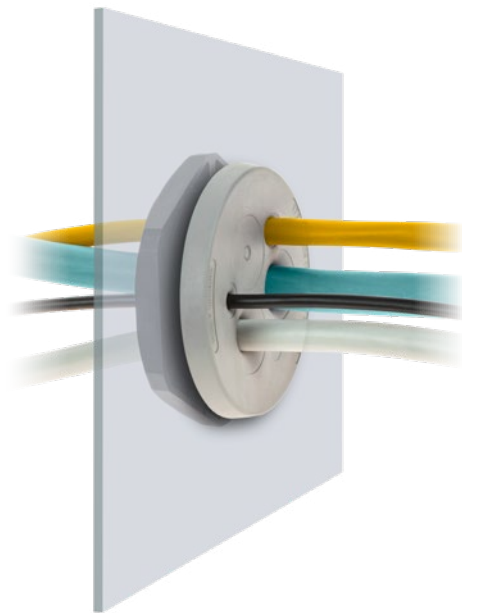




Model	Code	Cable nr. - Ø cables min/max [mm]	Thread x1.5	Dimensions Ø P [mm]	Pcs /pack
DES PDM M32/4G	1732033204	3 - 2,6 / 6,5 1 - 5,5 / 12,5			
DES PDM M32/4-2G	1732033242	4 - 3,5 / 8,8	M32	46	10
DES PDM M32/7G	1732033207	7 - 2,6 / 6,5			
DES PDM M40/8G	1732034008	4 - 2,6 / 6,5 4 - 4 / 10,2	M40	54	10
DES PDM M50/8G	1732035008	5 - 4,6 / 10,2 3 - 6,8 / 12,5			
DES PDM M50/10G	1732035010	7 - 2,8 / 6,5 2 - 4,6 / 10,2 1 - 14,5 / 22	M50	64	10
DES PDM M50/12G	1732035012	4 - 2,8 / 6,5 8 - 4,6 / 10,2			
DES PDM M50/19G	1732035019	19 - 2,8 / 6,5			
<b>NEW</b> DES PDM M63/6G	1732036306	3 - 4,6 / 10,2 3 - 10,9 / 20			
DES PDM M63/9G	1732036309	1 - 2,6 / 6 3 - 4,6 / 10,2 4 - 8,6 / 16,2 1 - 10,9 / 20	M63	77	10
DES PDM M63/13G	1732036313	4 - 2,8 / 6 4 - 4,6 / 10,2 5 - 9,5 / 16,2			
DES PDM M63/14G	1732036314	14 - 5 / 10			
DES PDM M63/35G	1732036335	35 - 2,6 / 5,5			

## Round cable entry plates with internal frame and locknut

- ▶ For large number of non-terminated cables
- ▶ High strain relief thanks to the double membrane
- ▶ Cost efficient solution
- ▶ High IP grade (IP66-68)
- ▶ Metric sized
- ▶ ATEX version on request



Double membrane



The round metric DES PDM M is an innovative alternative to standard cable glands on electrical, electronic and telecommunication cabinets and equipment.

The cable is pushed through the front membrane, whilst the second membrane increases the strain relief and liquid resistance.

### Technical data

**Material:** TPE

**Flammability:** self-extinguishing acc. to UL94-V0

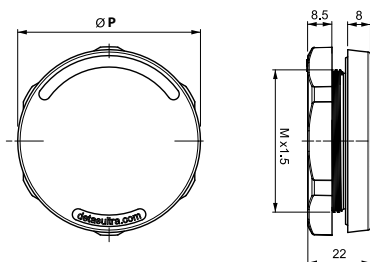
**Temperature:** -40°C... +105°C

**Features:** halogens and silicones free

### Related products

Hydraulic punch driver HY360

### Dimensions [mm]

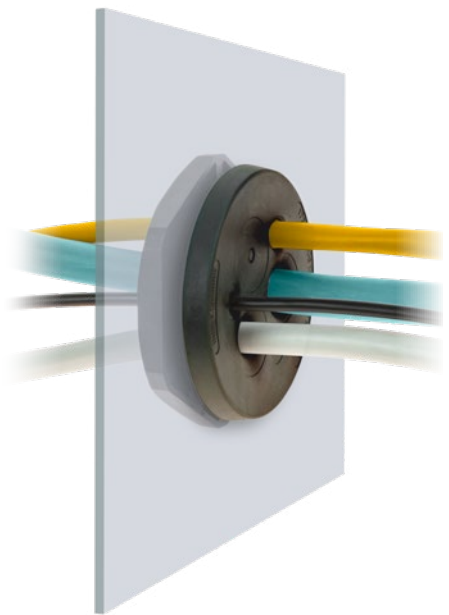




Model	Code	Cable nr. - Ø cables min/max [mm]	Thread x1.5	Dimensions Ø P [mm]	Pcs /pack
DES PDM M32/4B	1732034205	3 - 2,6 / 6,5 1 - 5,5 / 12,5	M32	46	10
DES PDM M32/4-2B	1732034252	4 - 3,5 / 8,8			
DES PDM M32/7B	1732034208	7 - 2,6 / 6,5			
DES PDM M40/8B	1732035009	4 - 2,6 / 6,5 4 - 4 / 10,2	M40	54	10
DES PDM M50/8B	1732036009	5 - 4,6 / 10,2 3 - 6,8 / 12,5	M50	64	10
DES PDM M50/10B	1732036011	7 - 2,8 / 6,5 2 - 4,6 / 10,2 1 - 14,5 / 22			
DES PDM M50/12B	1732036013	4 - 2,8 / 6,5 8 - 4,6 / 10,2			
DES PDM M50/19B	1732036020	19 - 2,8 / 6,5			
<b>NEW</b> DES PDM M63/6B	1732037307	3 - 4,6 / 10,2 3 - 10,9 / 20	M63	77	10
DES PDM M63/9B	1732037310	1 - 2,6 / 6 3 - 4,6 / 10,2 4 - 8,6 / 16,2 1 - 10,9 / 20			
DES PDM M63/13B	1732037314	4 - 2,8 / 6 4 - 4,6 / 10,2 5 - 9,5 / 16,2			
DES PDM M63/14B	1732037315	14 - 5 / 10			
DES PDM M63/35B	1732037336	35 - 2,6 / 5,5			

## Round cable entry plates with internal frame and locknut

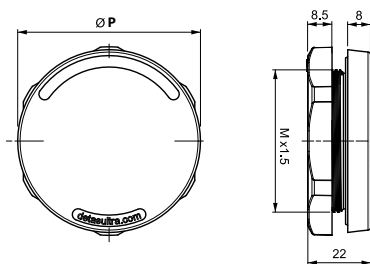
- ▶ For large number of non-terminated cables
- ▶ High strain relief thanks to the double membrane
- ▶ Cost efficient solution
- ▶ High IP grade (IP66-68)
- ▶ Metric sized
- ▶ ATEX version on request



Double membrane



### Dimensions [mm]



The round metric DES PDM M is an innovative alternative to standard cable glands on electrical, electronic and telecommunication cabinets and equipment.

The cable is pushed through the front membrane, whilst the second membrane increases the strain relief and liquid resistance.

### Technical data

**Material:** TPE

**Flammability:** self-extinguishing acc. to UL94-V0

**Temperature:** -40°C... +105°C

**Features:** halogens and silicones free

### Related products

Hydraulic punch driver HY360





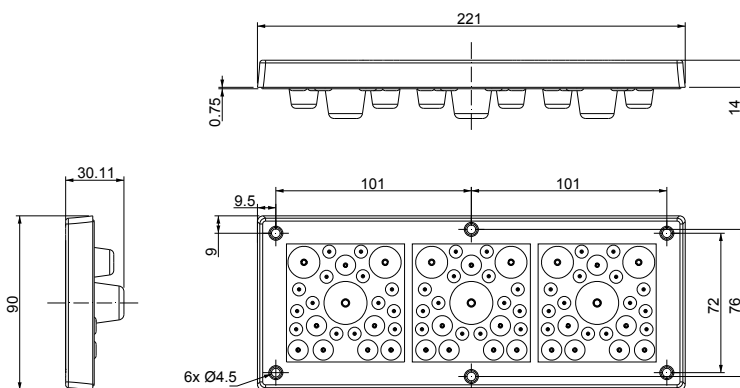
Model	Code	Cable nr. - Ø cables min/max [mm]	Dimensions [mm]		Pcs /pack
			Cut-out	Plate	
DES PDM KN 72G	1732040072	42 - 2,8 / 6,5 21 - 4,6 / 10,2 6 - 8,6 / 16,2 3 - 14,5 / 22	192 x 62	221 x 90	1
DES PDM KN 72B	1732041073	42 - 2,8 / 6,5 21 - 4,6 / 10,2 6 - 8,6 / 16,2 3 - 14,5 / 22	192 x 62	221 x 90	1

## Cable entry plate - large frame

- ▶ For up to 72 non-terminated cables
- ▶ High strain relief thanks to the double membrane
- ▶ Cost efficient solution
- ▶ High IP grade (IP66)
- ▶ ATEX version on request



### Dimensions [mm]



The DES PDM KN is an innovative alternative to standard cable glands on electrical, electronic and telecommunication cabinets and equipment.

The cable is pushed through the front membrane, whilst the second membrane increases the strain relief and liquid resistance.

2

### Technical data

**Material:** TPE

**Flammability:** self-extinguishing acc. to UL94-V0

**Temperature:** -40°C... +105°C (static)

**Features:** halogens and silicones free





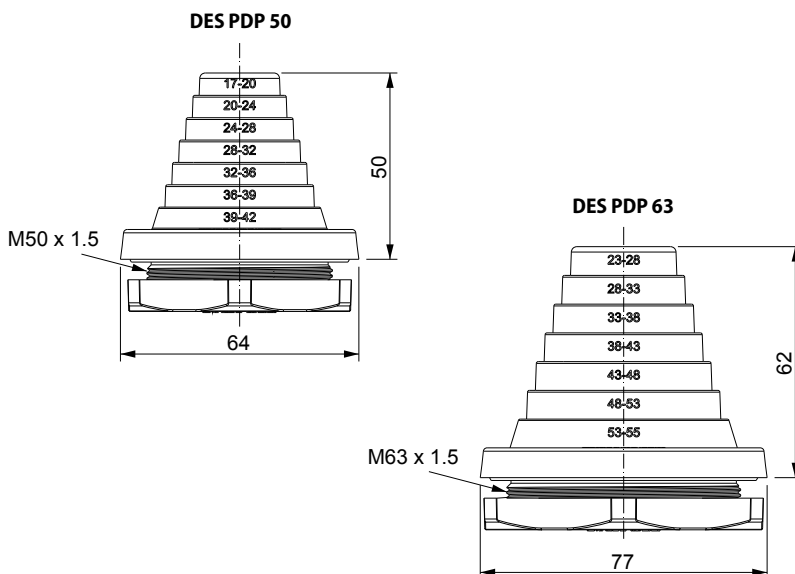
Model	Code	Cable nr. - Ø cables min/max [mm]	Dimensions [mm]			Pcs /pack
			Thread	Cut-out	Plate	
DES PDP 50G	1732050050	1 - 17 / 42	M50 x 1,5	50,5	64	10
DES PDP 63G	1732050063	1 - 23 / 55	M63 x 1,5	63,5	77	
DES PDP 50B	1732052050	1 - 17 / 42	M50 x 1,5	50,5	64	10
DES PDP 63B	1732052063	1 - 23 / 55	M63 x 1,5	63,5	77	

## Round base, pyramid-shaped cable entry plate with locknut

- ▶ For diameters from 17 to 55 mm
- ▶ Reinforcing base plate
- ▶ Cost efficient solution
- ▶ UL94-V0 for grey and black



### Dimensions [mm]



The DES PDP is available in M50 and M63 sizes, enabling non-terminated cables from 17 to 55mm in diameter to pass through the wall of the electrical cabinet.

The reinforcing base plate increases the stability where large cables are used.

2

### Technical data

**Material:** TPE

**Flammability:** self-extinguishing acc. to UL94-V0








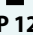
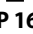
**Temperature:** -40°C... +105°C

**Features:** halogens and silicones free

### Related products

Hydraulic punch driver HY360 circolari



Model	Code	Ø Hole [mm]	Dimensions [mm]			Pcs /pack
			A	B	C	
 IFP 5G	1732070002	4,5 - 8,0	5,5	12,5	10,0	50
 IFP 9G	1732070004	8,0 - 12,0	9,5	16,0	13,5	
 IFP 12G	1732070006	12,0 - 16,0	12,0	16,5	16,5	
 IFP 16G	1732070008	16,0 - 19,0	16,0	19,5	20,5	
 IFP 20G	1732070010	20,0 - 22,5	20,0	21,5	24,5	
 IFP 5B	1732070012	4,5 - 8,0	5,5	12,5	10,0	
 IFP 9B	1732070014	8,0 - 12,0	9,5	16,0	13,5	
 IFP 12B	1732070016	12,0 - 16,0	12,0	16,5	16,5	
 IFP 16B	1732070018	16,0 - 19,0	16,0	19,5	20,5	

## Plugs for cable entry plates

► Plugs for holes with diameter from 4,5 to 19 mm



The IFP inserts fit into the holes of the cable entry plates so that they can be used many times. They range from 4.5 to 19 mm diameter.

### Technical data

**Material:** PA6

**Flammability:** UL94-HB

**Temperature:** -30°C... +100°C (static)

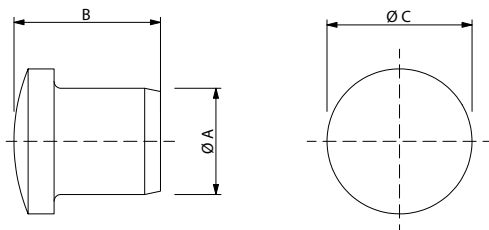
**Features:** halogens and silicones free

### Related products

DES PM SPP M

DES PDM SPG M

### Dimensions [mm]



# Group 3

## Strain relief modules







### Modules without bushings

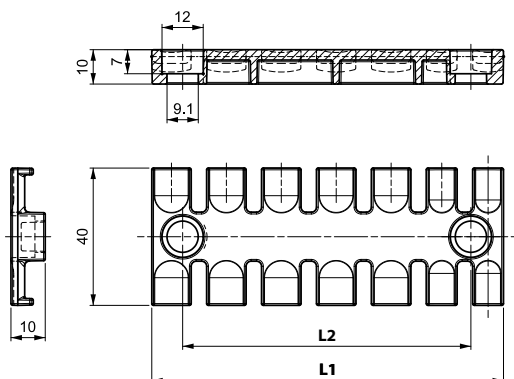
Model	Code	Dimensions [mm]		Teeth	Pcs /pack
		L1	L2		
AP 39	1733020003	38,5	19,5	3	10
AP 60	1733020004	59,5	43,5	4	
AP 70	1733020005	69,1	43,5	5	
AP 87	1733020006	86,5	68	6	
AP 103	1733020007	102,5	84	7	
AP 121	1733020008	121	102,5	8	
AP 140	1733020009	139,5	121	9	
AP 180	1733020010	180	157	12	

### Strain relief modules - screw fixing

- ▶ Modules also available with aluminum or brass bushings
- ▶ Strain relief acc. to EN 62444
- ▶ Easy to install
- ▶ Cost efficient solution
- ▶ UL94-V0



### Dimensions [mm]



The AP modules are used in electrical switchboards and equipment keeping cables tidy whilst providing strain relief according to EN 62444.

The cables can be fixed with standard plastic ties or reusable velcro ties.

Spacers are available for multi-tier applications.

### Technical data

**Material:** Polyamide (PA)

**Flammability:** self-extinguishing acc. to UL94-V0

**Temperature:** -40°C... +140°C (static)

**Features:** halogens and silicones free

### Related products

DZ spacers

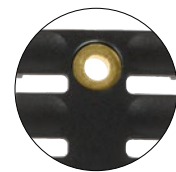
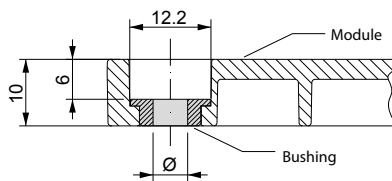
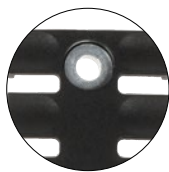
FV velcro cable ties





Modules with aluminum bushings			Modules with brass bushings			Dimensions [mm]		Teeth	Pcs /pack
Model	Code	Bushing	Model	Code	Bushing	L1	L2		
AP 39 BA4	1733021403	Ø4	AP 39 BR4	1733022403	Ø4	38,5	19,5	3	10
AP 60 BA4	1733021404		AP 60 BR4	1733022404		59,5	43,5	4	
AP 70 BA4	1733021405		AP 70 BR4	1733022405		69,1	43,5	5	
AP 87 BA4	1733021406		AP 87 BR4	1733022406		86,5	68	6	
AP 103 BA4	1733021407		AP 103 BR4	1733022407		102,5	84	7	
AP 121 BA4	1733021408		AP 121 BR4	1733022408		121	102,5	8	
AP 140 BA4	1733021409		AP 140 BR4	1733022409		139,5	121	9	
AP 180 BA4	1733021410		AP 180 BR4	1733022410		180	157	12	
AP 39 BA5	1733021503	Ø5	AP 39 BR5	1733022503	Ø5	38,5	19,5	3	10
AP 60 BA5	1733021504		AP 60 BR5	1733022504		59,5	43,5	4	
AP 70 BA5	1733021505		AP 70 BR5	1733022505		69,1	43,5	5	
AP 87 BA5	1733021506		AP 87 BR5	1733022506		86,5	68	6	
AP 103 BA5	1733021507		AP 103 BR5	1733022507		102,5	84	7	
AP 121 BA5	1733021508		AP 121 BR5	1733022508		121	102,5	8	
AP 140 BA5	1733021509		AP 140 BR5	1733022509		139,5	121	9	
AP 180 BA5	1733021510		AP 180 BR5	1733022510		180	157	12	
AP 39 BA6	1733021603	Ø6	AP 39 BR6	1733022603	Ø6	38,5	19,5	3	10
AP 60 BA6	1733021604		AP 60 BR6	1733022604		59,5	43,5	4	
AP 70 BA6	1733021605		AP 70 BR6	1733022605		69,1	43,5	5	
AP 87 BA6	1733021606		AP 87 BR6	1733022606		86,5	68	6	
AP 103 BA6	1733021607		AP 103 BR6	1733022607		102,5	84	7	
AP 121 BA6	1733021608		AP 121 BR6	1733022608		121	102,5	8	
AP 140 BA6	1733021609		AP 140 BR6	1733022609		139,5	121	9	
AP 180 BA6	1733021610		AP 180 BR6	1733022610		180	157	12	

3

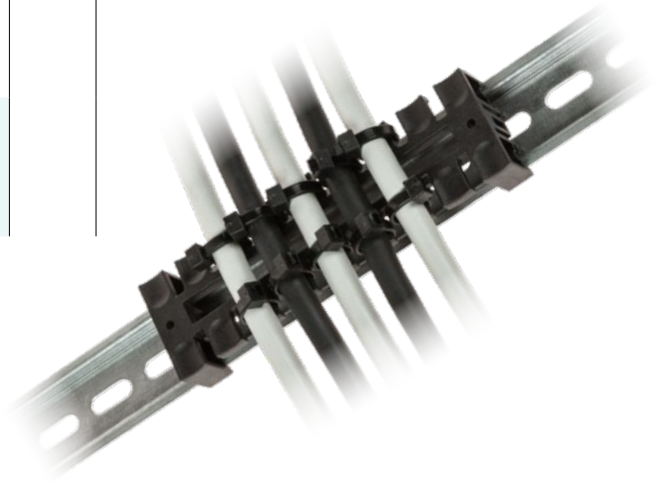




Model	Code	Dimensions [mm]		Teeth	Pcs /pack
		L1	L2		
APD 39	1733000003	38,5	28,3	3	10
APD 80	1733000006	79,5	68	6	
APD 140	1733000009	139,5	128,1	9	
APD 180	1733000012	180	157	12	

## Strain relief modules for DIN and Omega rails

- ▶ Strain relief according to EN 62444
- ▶ Easy to install
- ▶ Cost efficient solution
- ▶ UL94-V0



APD 180



APD 39-80-140

The APD modules are used in electrical cabinets to organise the cables whilst providing strain relief according to EN 62444. The cables can be fixed with standard plastic ties or reusable velcro ties.

### Technical data

**Material:** Polyamide (PA)

**Flammability:** self-extinguishing acc. to UL94-V0

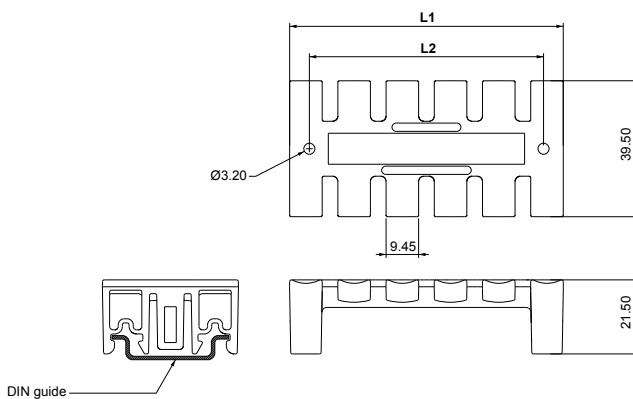
**Temperature:** -40°C... +140°C (static)

**Features:** halogens and silicones free



### Related products

FV velcro cable ties

### Dimensions [mm]

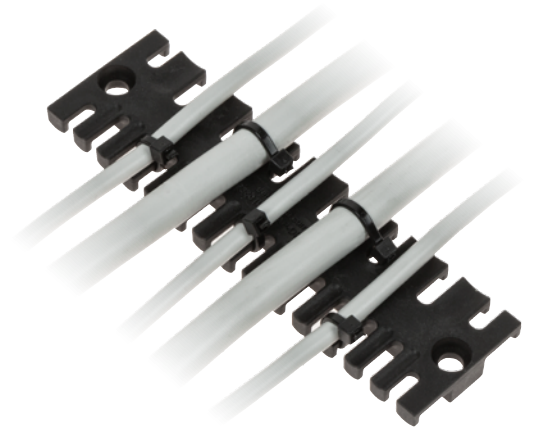




Model	Code	Bushing	Dimensions [mm]		Teeth	Pcs /pack
			L1	L2		
AP-DP 63	1733010047	-	63,4	42	4-7	10
AP-DP 95	1733010611	-	95	74,5	6-11	
AP-DP 119	1733010713	-	119	108	7-13	
AP-DP 63-BA4	1733011447	Aluminum  Ø4	63,4	42	4-7	10
AP-DP 95-BA4	1733011411		95	74,5	6-11	
AP-DP 119-BA4	1733011413		119	108	7-13	
AP-DP 63-BR4	1733012447	Brass  Ø4	63,4	42	4-7	10
AP-DP 95-BR4	1733012411		95	74,5	6-11	
AP-DP 119-BR4	1733012413		119	108	7-13	

## Strain relief modules - double comb for screw fixing

- ▶ Modules also available with aluminum or brass bushings
- ▶ Strain relief acc. to EN 62444
- ▶ Easy to install
- ▶ Cost efficient solution
- ▶ UL94-V0

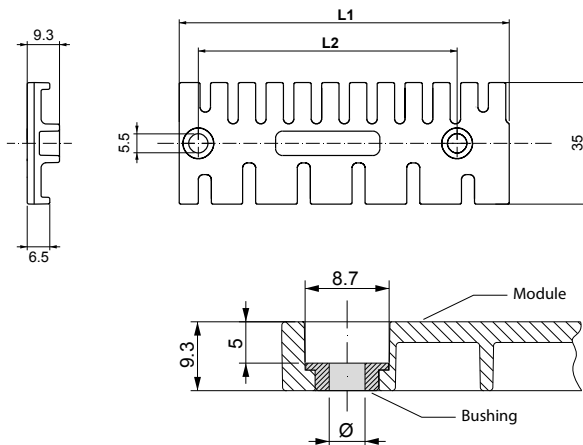


Aluminum bushing



Brass bushing

### Dimensions [mm]



The AP-DP modules are used in electrical switchboards and equipment keeping cables of various sizes tidy whilst providing strain relief according to EN 62444.

The cables can be fixed with standard plastic ties or reusable Velcro ties.

Spacers are available for multi-tier applications.

### Technical data

**Material:** Polyamide (PA)

**Flammability:** self-extinguishing acc. to UL94-V0

**Temperature:** -40°C... +140°C (static)

**Features:** halogens and silicones free

### Related products

DZ spacers

FV velcro cable ties

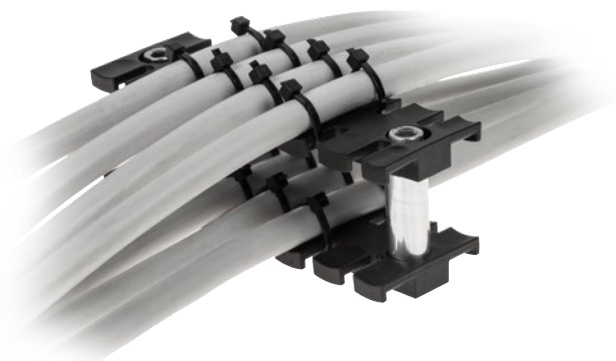
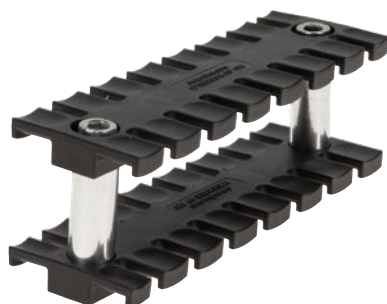
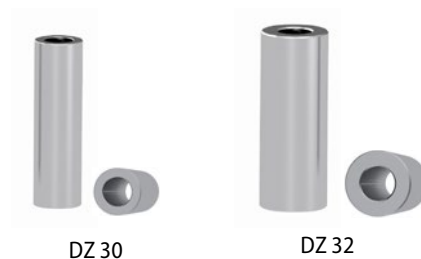




Model	Code	Suitable for	H [mm]	D1 [mm]	D2 [mm]	Pcs /pack
DZ 30	1733020011	AP-DP	30	7	5,2	10
DZ 32	1733020012	AP	32	12	6,2	10

## Spacers

► Increase in cable bundle density



The spacers are used to build a multi-tier system in the case of a large number of cables.

### Technical data

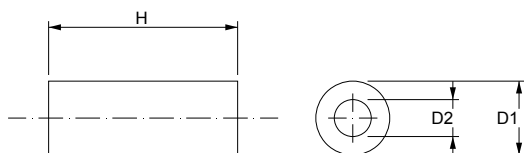
**Material:** Aluminum

### Related products

AP strain relief modules

AP-DP double-comb strain relief modules

### Dimensions [mm]





Model	Code	Dimensions [mm]		Pcs /pack
		L	W	
FV1	1733020020	200	10	100
FV2	1733020025	200	13	100
FV3	1733020030	300	17	100
BOB 10X25	1733021010	25 m	10	1
BOB 20X25	1733021020	25 m	20	1

### Hook and loop cable ties

- ▶ The hook and loop cable ties can be reused
- ▶ Adaptable to the shape of the cable bundles
- ▶ Particularly effective in the event of vibration
- ▶ Also available in reels



Hook and loop cable ties allow a large number of cables to be bundled together. They prevent damage in the event of vibration and can be reused many times.

They are available in 3 different types or in 25 m reels.

### Technical data

**Material:** Polyamide PA

**Flammability:** UL94-V2, autoestinguente

**Temperature:** -30°C... +80°C (static)

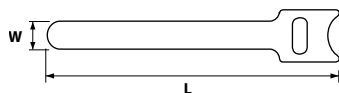
### Related products

AP strain relief modules

AP-DP double-comb strain relief modules

APD strain relief modules for DIN rails

### Dimensions [mm]



# Group 4

## EMC shielding

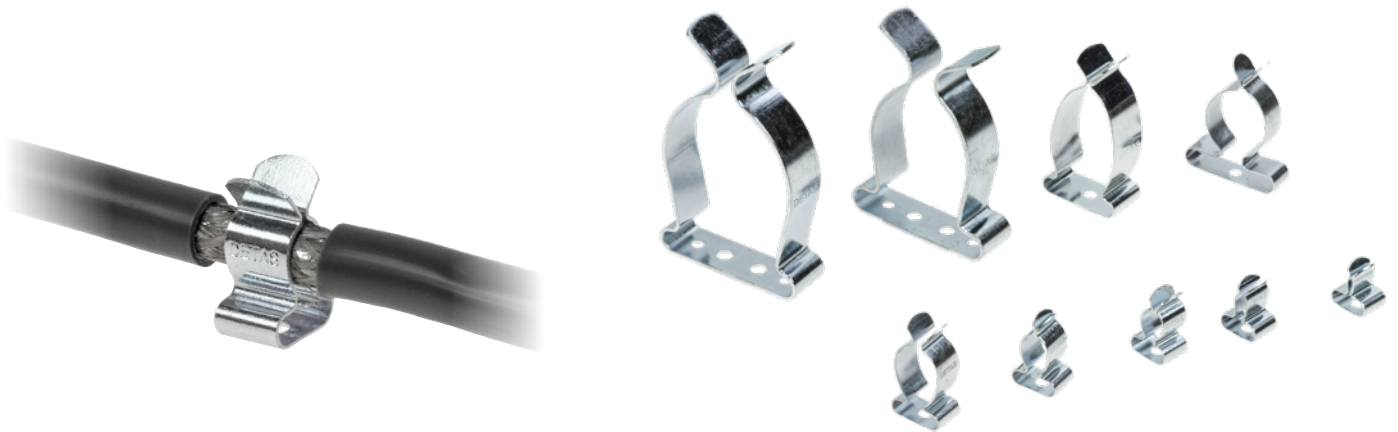




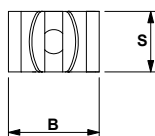
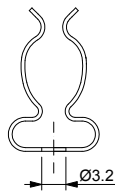
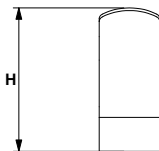
Model	Code	Clamping range [mm]	Dimensions [mm]			Pcs /pack
			B	H	S	
MSS 1.5-3	1734010010	1,5 - 3	11	12	8	50
MSS 3-6	1734010020	3 - 6	11	14	8	
MSS 6-8	1734010030	6 - 8	11	17	8	
MSS 8-11	1734010040	8 - 11	12	19	8	
MSS 11-17	1734010050	11 - 17	13,5	25	8	
MSS 17-22	1734010060	17 - 22	22	34	8	
MSS 22-30	1734010070	22 - 30	22,5	40,5	12	
MSS 30-37	1734010080	30 - 37	40	55	12	
MSS 38-48	1734010090	38 - 48	40	64	12	

## Shield clamps without foot

- ▶ Suitable for a wide range of cables from 1,5 to 48 mm
- ▶ Ideal adherence to cable shielding
- ▶ Possibility to mount the springs easily, no need to use tools
- ▶ Constant pressure of the spring on the cable sheath without having to run tests and checks
- ▶ High vibration resistance
- ▶ Ideal shape and dimensions make a high cable density easily manageable



### Dimensions [mm]



MSS shield clamps enable the cable shield to be grounded easily and effectively. They secure the anti-tear function on the cable by fixing it with a tie.

MSS shield clamps can be fixed with screws or rivets.

### Technical data

**Material:** spring steel, zinc plated







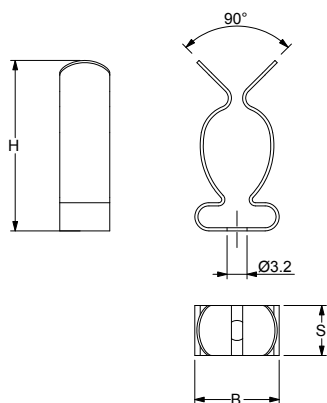
Model	Code	Clamping range [mm]	Dimensions [mm]			Pcs /pack
			B	H	S	
MSS2 1.5-3	1734010210	1,5 - 3	11	13,5	8	50
MSS2 3-6	1734010220	3 - 6	11	16	8	
MSS2 6-8	1734010230	6 - 8	11	18,5	8	
MSS2 8-11	1734010240	8 - 11	12	22	8	
MSS2 11-17	1734010250	11 - 17	13,5	27	8	
MSS2 18-22	1734010260	18 - 22	22	36,5	8	

## Shield clamps without foot

- ▶ Suitable for a wide range of cables from 1,5 to 22 mm
- ▶ Ideal adherence to cable shielding
- ▶ **Increased wings length for easier cable insertion**
- ▶ Constant pressure of the spring on the cable sheath without having to run tests and checks
- ▶ High vibration resistance
- ▶ Ideal shape and dimensions make a high cable density easily manageable



### Dimensions [mm]



MSS 2 shield clamps enable the cable shield to be grounded easily and effectively. They secure the anti-tear function on the cable by fixing it with a tie.

MSS shield clamps can be fixed with screws or rivets.

### Technical data

**Material:** spring steel, zinc plated

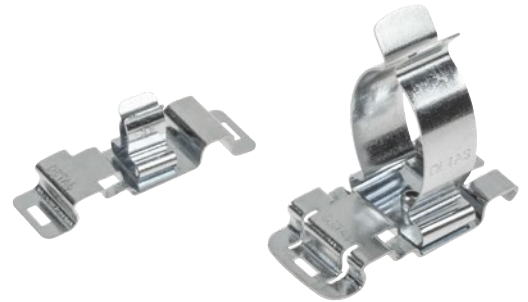
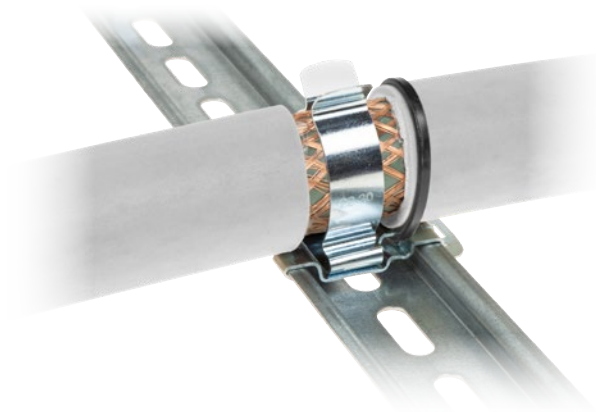




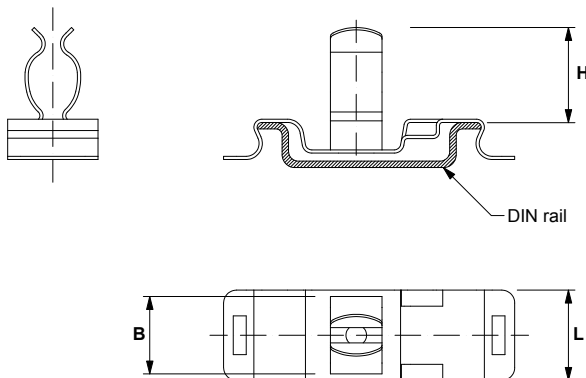
Model	Code	Clamping range [mm]	Dimensions [mm]			Pcs /pack
			B	H	L	
MSD 1.5-3	1734020010	1,5 - 3	11	8	14	50
MSD 3-6	1734020020	3 - 6	11	9,5	14	
MSD 6-8	1734020030	6 - 8	11	13	14	
MSD 8-11	1734020040	8 - 11	12	14,5	14	
MSD 11-17	1734020050	11 - 17	13,5	21	14	
MSD 17-22	1734020060	17 - 22	22	30	14	
MSD 22-30	1734020070	22 - 30	22	36	14	
MSD 30-37	1734020080	30 - 37	40	50,5	22	
MSD 38-48	1734020090	38 - 48	40	60	22	

## Shield clamps for DIN and Omega rails

- ▶ Suitable for a wide range of cables from 1,5 to 48 mm
- ▶ Snap-in assembly, no need to use tools
- ▶ Available with a coupling base in two widths: 14 and 22 mm
- ▶ High vibration resistance
- ▶ Possibility of obtaining shield grounding and anti-tear functions with a single device
- ▶ Ideal adherence to cable shielding
- ▶ Constant pressure of the spring on the cable sheath without having to run tests and checks



### Dimensions [mm]



The MSD shield clamps enable the cable shield to be grounded easily and effectively. They secure the anti-tear function on the cable by fixing it with a tie.

The anti-tear function complies with EN 62444 standards.

The MSD shield clamps can be used on 35 mm DIN/Omega rails.

### Technical data

**Material:** spring steel, zinc plated

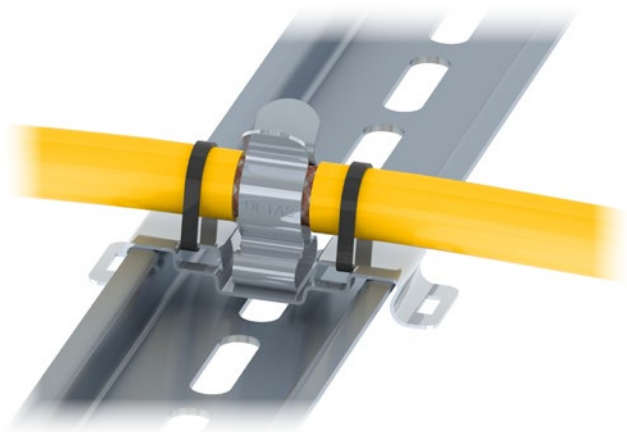




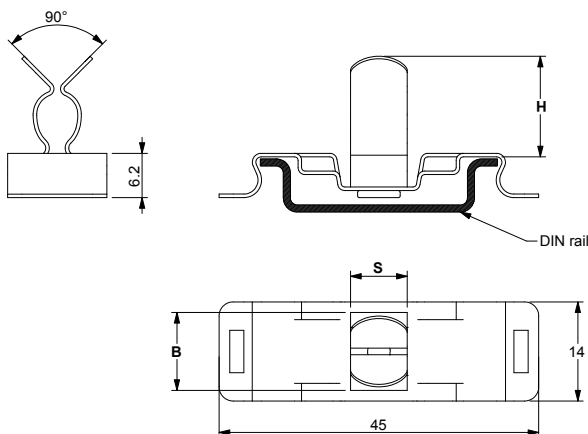
Model	Code	Clamping range [mm]	Dimensions [mm]			Pcs /pack
			B	H	S	
MSD2 1.5-3	1734021010	1,5 - 3	11	9,5	8	50
MSD2 3-6	1734021020	3 - 6	11	12	8	
MSD2 6-8	1734021030	6 - 8	11	14	8	
MSD2 8-11	1734021040	8 - 11	12	17,5	8	
MSD2 11-17	1734021050	11 - 17	13,5	23	8	
MSD2 18-22	1734021060	17 - 22	22	32	8	

## Shield clamps for DIN and Omega rails with double cable tie secure

- ▶ Suitable for a wide range of cables from 1,5 to 22 mm
- ▶ Snap-in assembly, no need to use tools
- ▶ Increased wings length for easier cable insertion
- ▶ Double cable tie secure possible
- ▶ Possibility of obtaining shield grounding and anti-tear functions with a single device
- ▶ Ideal adherence to cable shielding
- ▶ Constant pressure of the spring on the cable sheath without having to run tests and checks



### Dimensions [mm]



The MSD 2 shield clamps enable the cable shield to be grounded easily and effectively. They secure the anti-tear function on the cable by fixing it with one or two cable ties.

The anti-tear function complies with EN 62444 standards.

The MSD 2 shield clamps can be used on 35 mm DIN/Omega rails.

### Technical data

**Material:** spring steel, zinc plated

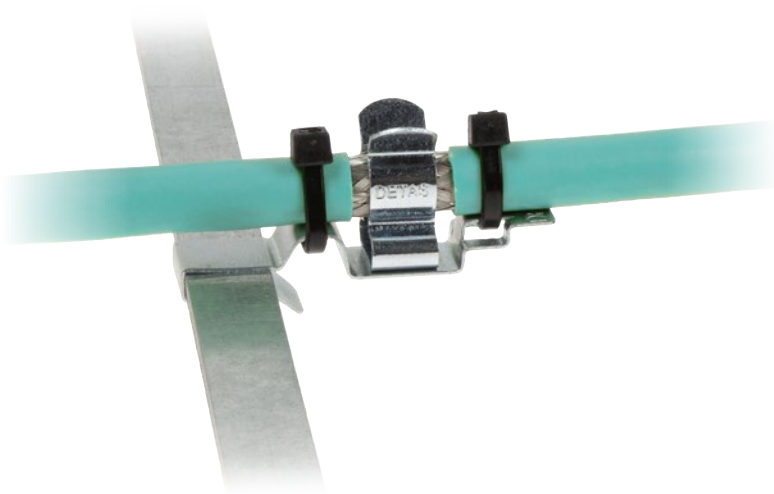




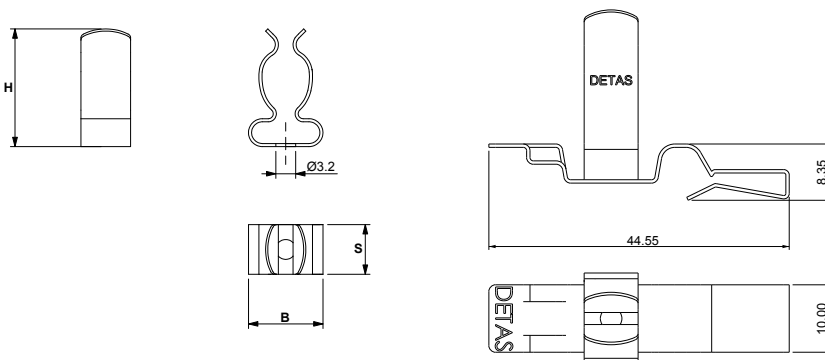
Model	Code	Clamping range [mm]	Dimensions [mm]			Pcs /pack
			B	H	S	
MSB 1.5-3	1734040010	1,5 - 3	11	12	8	50
MSB 3-6	1734040020	3 - 6	11	14	8	
MSB 6-8	1734040030	6 - 8	11	17	8	
MSB 8-11	1734040040	8 - 11	12	19	8	
MSB 11-17	1734040050	11 - 17	13,5	25	8	

## Shield clamps for 10 x 3 mm bar with double cable tie secure

- ▶ Suitable for a range of cables from 1,5 to 17 mm
- ▶ Possibility of obtaining shield grounding and anti-tear functions with a single device
- ▶ Double cable tie secure possible
- ▶ Snap-in assembly, no need to use tools
- ▶ Constant pressure of the spring on the cable sheath without having to run tests and checks



### Dimensions [mm]



The MSB shield clamps enable the cable shield to be grounded easily and effectively. They secure the anti-tear function on the cable by fixing it with one or two cable ties.

The anti-tear function complies with EN 62444 standards.

The MSB shield clamps can be used on 10x3 bars.

### Technical data

**Material:** spring steel, zinc plated





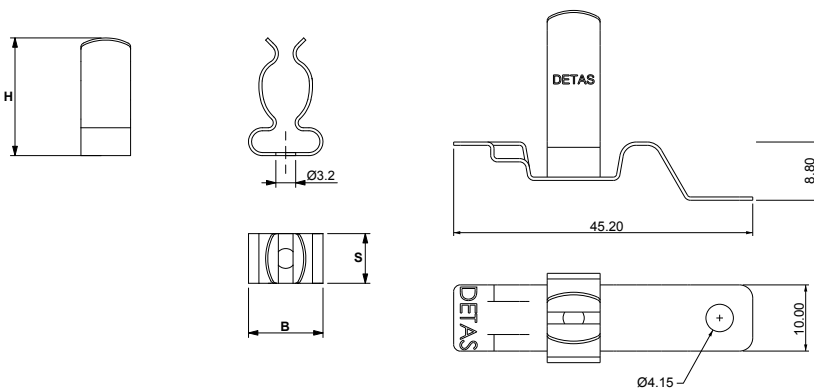
Model	Code	Clamping range [mm]	Dimensions [mm]			Pcs /pack
			B	H	S	
MSA 1.5-3	1734030010	1,5 - 3	11	12	8	50
MSA 3-6	1734030020	3 - 6	11	14	8	
MSA 6-8	1734030030	6 - 8	11	17	8	
MSA 8-11	1734030040	8 - 11	12	19	8	
MSA 11-17	1734030050	11 - 17	13,5	25	8	

## Shield clamps with screw fixing with double cable tie secure

- ▶ Suitable for a range of cables from 1,5 to 17 mm
- ▶ Possibility of obtaining shield grounding and anti-tear functions with a single device
- ▶ Double cable tie secure possible
- ▶ Snap-in assembly, no need to use tools
- ▶ Constant pressure of the spring on the cable sheath without having to run tests and checks



### Dimensions [mm]



MSA shield clamps enable the cable shield to be grounded easily and effectively. They secure the anti-tear function on the cable by fixing it with one or two cable ties.

The shield clamp can be fixed with a M4 screw.

The anti-tear function complies with EN 62444 standards.

### Technical data

**Material:** spring steel, zinc plated

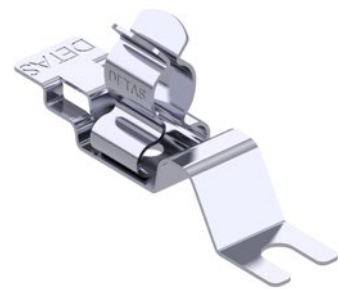
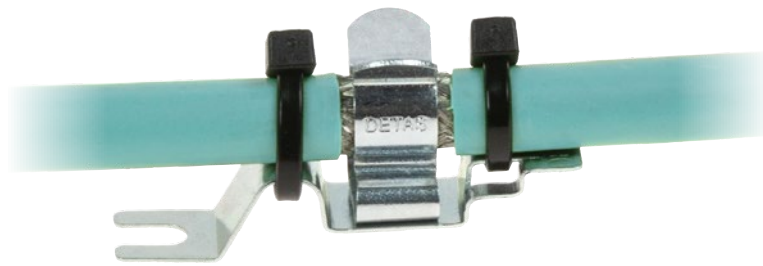




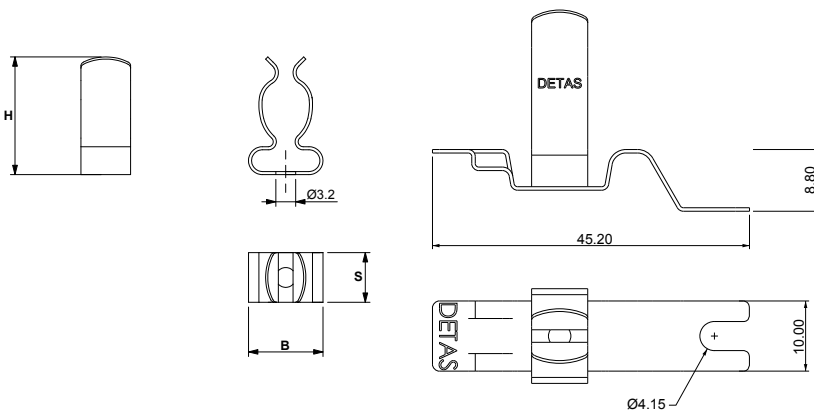
Model	Code	Clamping range [mm]	Dimensions [mm]			Pcs /pack
			B	H	S	
MSE 1.5-3	1734050010	1,5 - 3	11	12	8	50
MSE 3-6	1734050020	3 - 6	11	14	8	
MSE 6-8	1734050030	6 - 8	11	17	8	
MSE 8-11	1734050040	8 - 11	12	19	8	
MSE 11-17	1734050050	11 - 17	13,5	25	8	

## Shield clamps with screw fixing with double cable tie secure

- ▶ Suitable for a range of cables from 1,5 to 17 mm
- ▶ Possibility of obtaining shield grounding and anti-tear functions with a single device
- ▶ Double cable tie secure possible
- ▶ Snap-in assembly, no need to use tools
- ▶ Constant pressure of the spring on the cable sheath without having to run tests and checks



### Dimensions [mm]



MSE shield clamps enable the cable shield to be grounded easily and effectively. They secure the anti-tear function on the cable by fixing it with a tie.

The shield clamp can be fixed with a M4 screw.

They secure the anti-tear function in compliance with EN62444 by fixing the cable it with one or two cable ties.

### Technical data

**Material:** spring steel, zinc plated





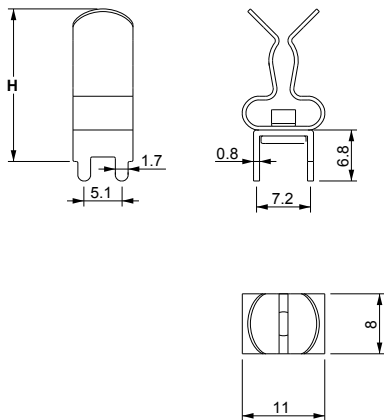
Model	Code	Clamping range [mm]	Dimensions [mm] H [mm]	Pcs /pack
MSC 1.5-3	1734060001	1,5 - 3	18	50
MSC 3-6	1734060003	3 - 6	20,5	
MSC 6-8	1734060006	6 - 8	23	

## Shield clamps for printed circuit boards mounting

- ▶ Suitable for a range of cables from 1,5 to 8 mm
- ▶ Direct mounting on PCB
- ▶ Constant pressure of the spring on the cable sheath without having to run tests and checks



### Dimensions [mm]



MSC shield clamps enable the cable shield to be grounded easily and effectively. They secure the anti-tear function on the cable.

The MSC shield clamp is fixed and soldered directly on the PCB.

### Technical data

**Material:** spring steel, zinc plated

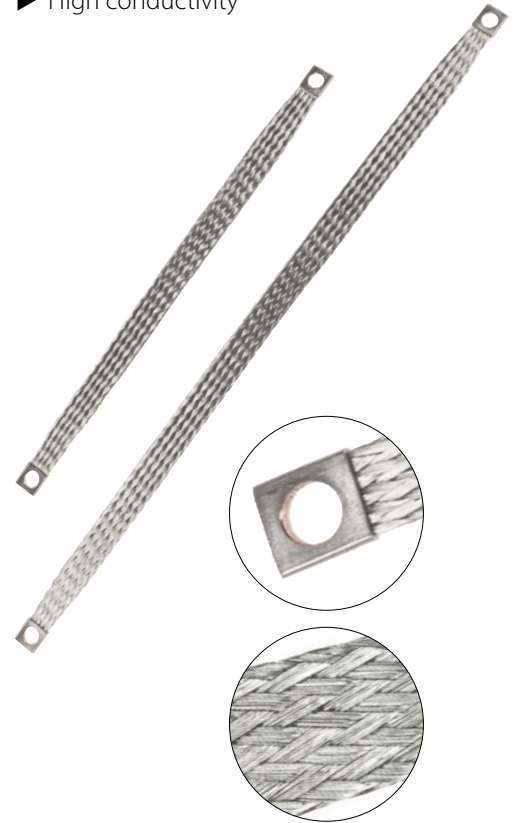




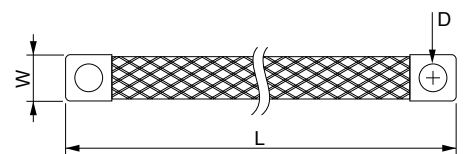
Model	Code	Section [mm <sup>2</sup> ]	Dimensions [mm]		
			L	D	W
CTX-6/100/6	1734080000	6	100	6	10
CTX-6/150/6	1734080005		150	6	
CTX-6/200/6	1734080010		200	6	
CTX-6/250/6	1734080015		250	6	
CTX-6/300/6	1734080020		300	6	
CTX-6/400/6	1734080025		400	6	
CTX-6/500/6	1734080030		500	6	
CTX-10/100/6	1734080035	10	100	6	15
CTX-10/100/8	1734080040		100	8	
CTX-10/150/8	1734080045		150	8	
CTX-10/200/6	1734080050		200	6	
CTX-10/200/8	1734080055		200	8	
CTX-10/250/6	1734080060		250	6	
CTX-10/300/6	1734080065		300	6	
CTX-10/300/8	1734080070		300	8	
CTX-10/400/6	1734080075		400	6	
CTX-10/400/8	1734080080		400	8	
CTX-10/500/6	1734080085		500	6	
CTX-16/100/6	1734080090	16	100	6	19
CTX-16/100/8	1734080095		100	8	
CTX-16/150/6	1734080100		150	6	
CTX-16/150/8	1734080105		150	8	
CTX-16/200/6	1734080110		200	6	
CTX-16/200/8	1734080115		200	8	
CTX-16/250/8	1734080120		250	8	
CTX-16/300/6	1734080125		300	6	
CTX-16/300/8	1734080130		300	8	
CTX-16/350/8	1734080135		350	8	
CTX-16/400/8	1734080140		400	8	
CTX-16/500/8	1734080145		500	8	
CTX-16/600/8	1734080150		600	8	
CTX-25/100/10	1734080155		25	100	
CTX-25/150/10	1734080160	150		10	
CTX-25/200/8	1734080165	200		8	
CTX-25/200/10	1734080170	200		10	
CTX-25/250/8	1734080175	250		8	
CTX-25/300/8	1734080180	300		8	
CTX-25/300/10	1734080185	300		10	
CTX-25/350/10	1734080190	350		10	
CTX-25/400/8	1734080195	400		8	
CTX-25/500/8	1734080200	500		8	
CTX-25/600/8	1734080205	600		8	

## Earthing straps

- ▶ Sections from 6 to 25 mm<sup>2</sup> available
- ▶ Custom solutions with reduced minimum quantities
- ▶ High conductivity



Dimensions [mm]



The CTX flexible earthing straps are made of tinned copper braided wires.

Pure Cu-ETP - ASTM C11000 copper enables an excellent ground connection.

### Technical data

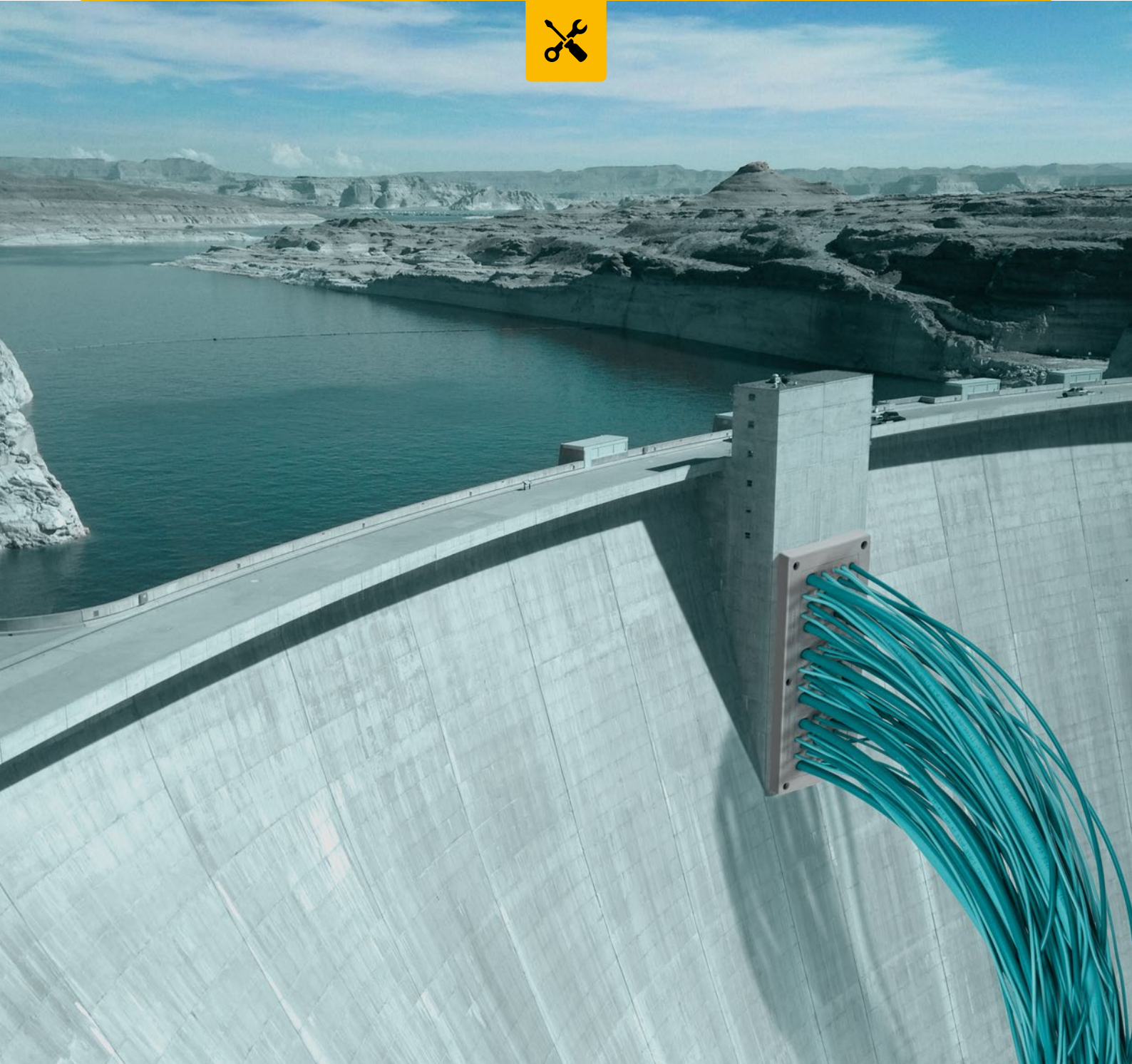
**Material:** tinned copper





# Group 6

## Accessories



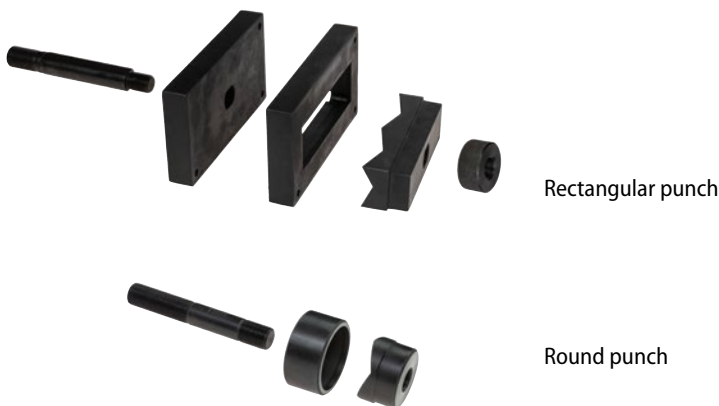


# HY360

Model	Code	Dimensions [mm]	Pcs /pack
Punch driver HY360	1736010100		1
Rectangular punch for DES 24	1736010024	108 x 39	1
Rectangular punch for DES 16	1736010016	86 x 39	
Rectangular punch for DES 10	1736010010	63 x 39	
Rectangular punch for DES Q	1736010008	40 x 39	
Rectangular punch for DES L2	1736010002	40 x 22	
Rectangular punch for DES L3	1736010003	63 x 22	
Rectangular punch for DES L4	1736010004	86 x 22	
Rectangular punch for DES L5	1736010005	108 x 22	
Rectangular punch for DES PM 24 and DES PDM 24	1736010124	112 x 36	
Rectangular punch for DES PDM Q	1736010108	46 x 46	
Round punch M22	1736010022	Ø 22.5	1
Round punch M25	1736010025	Ø 25.5	
Round punch M32	1736010032	Ø 32.5	
Round punch M40	1736010040	Ø 40.5	
Round punch M50	1736010050	Ø 50.5	
Round punch M63	1736010063	Ø 63.5	

## Hydraulic punch driver for round and rectangular cut-outs

- ▶ Hand punch driver with rotating 360° head
- ▶ Thanks to its low weight, the punch driver can be used by one person only
- ▶ The punch driver produces a hydraulic power of 120 kN and can be used for stainless steel walls with a maximum thickness of 3.5 mm
- ▶ All the available punches are compatible with our products



### Technical data

**Material:** Aluminum alloy, steel punches  
**Hydraulic power:** 120 kN  
**Weight:** 2.5 kg

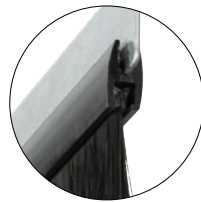




Model	Code	Length [L] [mm]	Pcs /pack
SQZ 600	1736030006	600	1
SQZ 800	1736030008	800	
SQZ 1000	1736030010	1000	
SQZ 1200	1736030012	1200	

## Brushes for Rittal cabinets

- ▶ Snap-in assembly
- ▶ Compatible with Rittal cabinet
- ▶ The brushes allow the passage of a high number of cables



The SQZ brushes are compatible with the main models of Rittal cabinets.

Cables can come out throughout the length of the bottom panel.

Easy snap-in assembly.

### Technical data

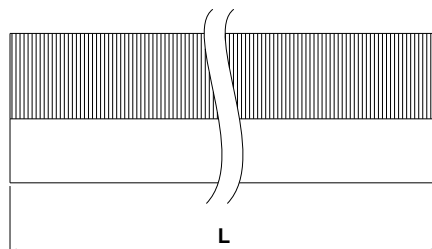
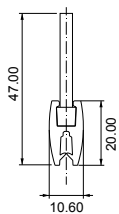
**Material:** Polyamide (PA)

**Flammability:** self-extinguishing acc. to UL94-V0

**Temperature:** -40°C... +110°C (static)

**Features:** halogens and silicones free

### Dimensions [mm]





## Deluxe

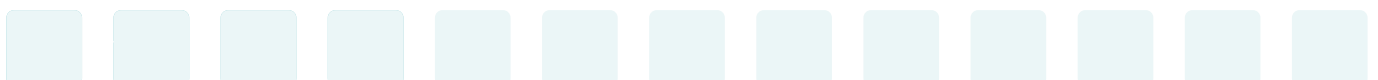
### *DemoBox Deluxe for DetasUltra products*

- ▶ Updated with the latest products
- ▶ Dedicated to customers and distributors: it shows the quality and the variety of the DetasUltra solutions

Model	Code	Dimensions [mm]	Pcs
DemoBox Deluxe	1736999840	460 x 360 x 90	1



Pcs	BOX CONTENT
	Model
3	Splittable frames
4	Splittable cable glands
2	Splittable frames with brush
10	SPP single inserts
4	SPP multiple inserts
2	SPG large inserts
1	Snap-in connection
1	Closing plate
5	Cable entry plates without internal frame
5	Cable entry plates with internal frame
3	Strain relief modules
5	Shield clamps
1	M5 screwdriver
	DetasUltra gadgets





[www.detasultra.com](http://www.detasultra.com)



DetasUltra is a division of

**Detas SpA**

Via Treponti, 29

25086 Rezzato BS - Italy

Tel. +39 030 2594120

[info@detasultra.com](mailto:info@detasultra.com)

ISO9001/ ISO14001 certified company