

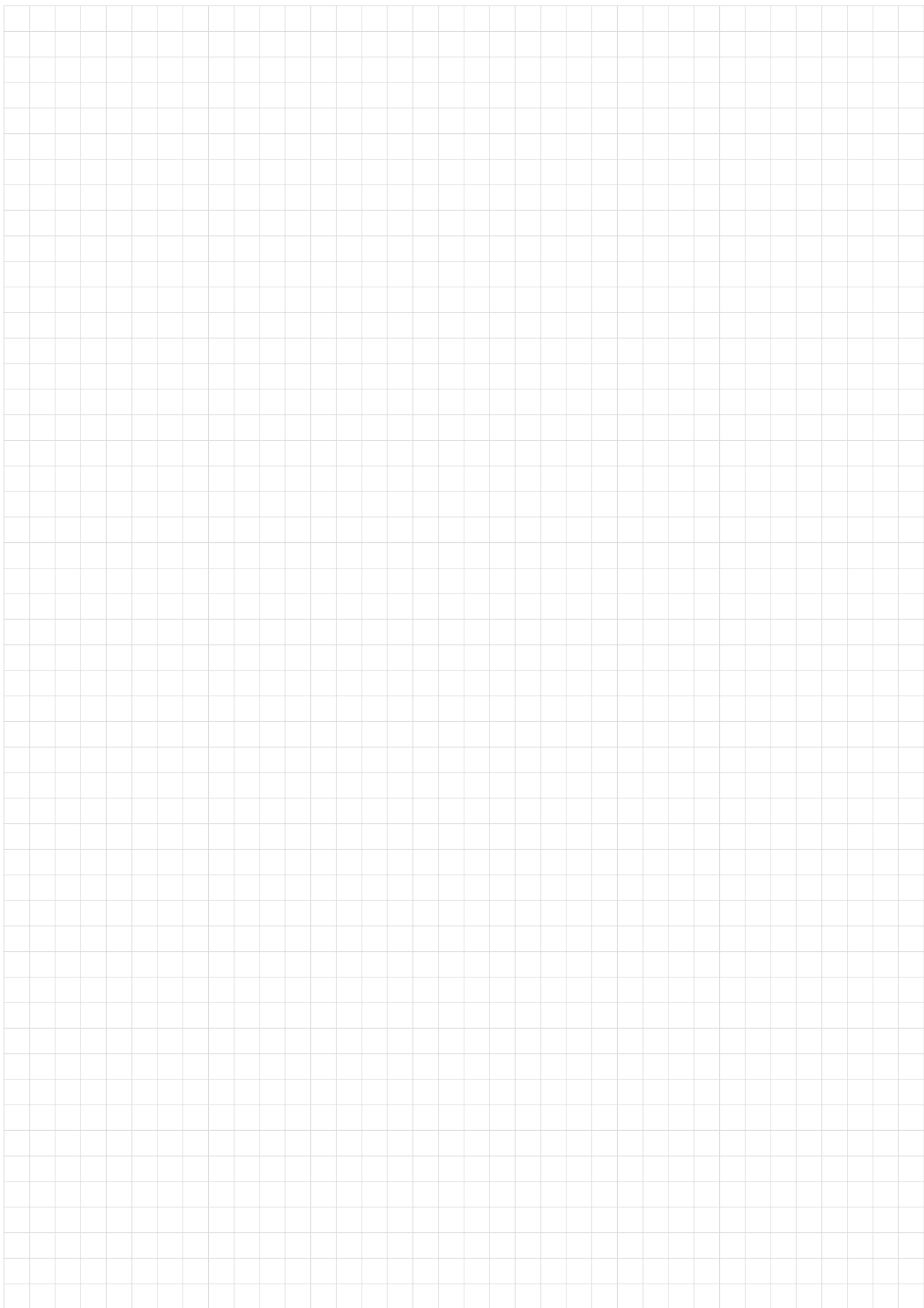


DETASULTRA[®]
solutions around the cable

www.detasultra.com

ENG
Vers. 6.1







Detas SpA presents the **DetasUltra** division, established in 2019 after many years experience in cable management for electrical cabinets and equipment.

The **DES (Detas Entry System)** solution is designed to simplify the use of cables in electrical equipment, improving watertightness, strain relief and EMC, whilst minimising costs.

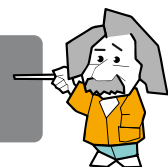
DES has been designed, developed and patented in Italy, thanks to our technical skills in the thermoplastic industry and production equipment.

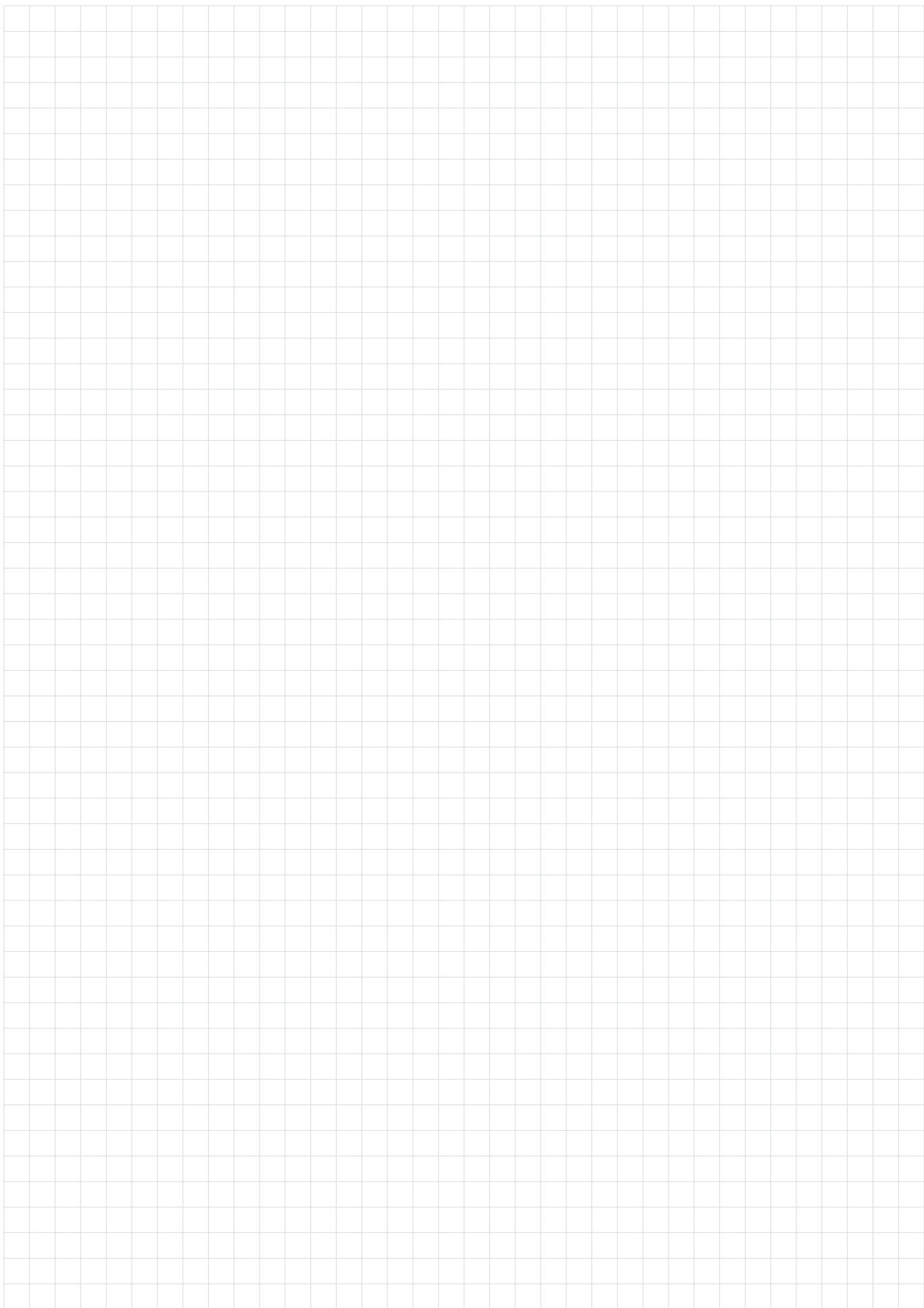
Our attention to detail has driven us to develop innovative and reliable solutions for our customers at a competitive price.

For decades the Detas Group has been specialising in power electronics for sectors such as industrial automation, LED functional lighting, traffic safety and electric vehicle charging.



Easier with us!





Summary

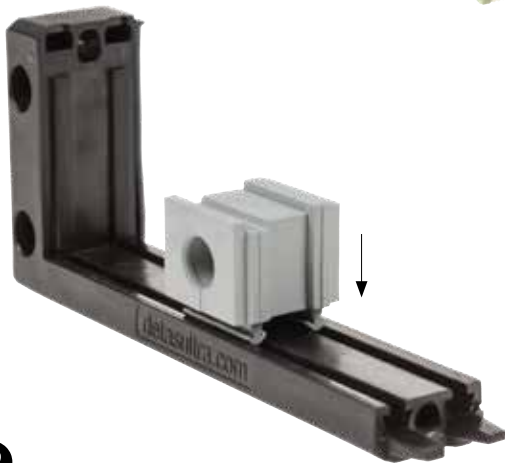
1	Entry system for pre-terminated cables	Frames - DES series ▶ page 8-19	Inserts - SP series ▶ page 20-24	Brush frames - DES Z series ▶ page 25-28
2	Entry system for non-terminated cables	Cable gland plates - DES-PM series ▶ page 30-35	Cable gland plates - DES-PDM series ▶ page 36-43	Plugs for cable gland plates - IFP ▶ page 44
3	Strain relief modules	Strain relief - AP series ▶ page 46-49	Spacers - DZ ▶ page 50	Cable ties - FV ▶ page 51
4	EMC shielding	EMC cable clamps - MS series ▶ page 53-58	Earthing straps - CTX ▶ page 59	
5	Cable protection conduits	Splittable corrugated tubes - FL ▶ page 61	Clips for corrugated tubes - FW ▶ page 62	
6	Accessories for switchboard	Hydraulic punch driver - HY360 ▶ page 64	Brushes for Rittal cabinets - SQZ ▶ page 65	

Group 1

Entry system for pre-terminated cables



DES system



2
Snap the inserts into the frame with a simple "click"

1
Choose your splittable insert and let the cable pass through

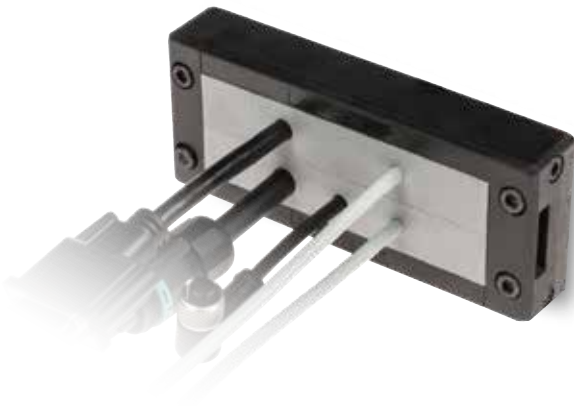


3
Combine the two parts with the screws



Splittable frame for pre-terminated cables

- ▶ Multiple possible configurations in one frame size
- ▶ Frame screws in AISI304 Stainless Steel
- ▶ Integrated gasket
- ▶ Strain relief according to EN 62444
- ▶ Sturdy construction IK10
- ▶ Up to IP66



Model	Code	Some possible configurations	Cut-out [mm]	Pcs /pack
DES 24	1731010024		108 x 39	10
Upon request:	1731991020	Set of 4 mounting screws in AISI304 with Black Dacromet finishing		10

1

The DES 24 cable entry system consists of a splittable frame designed to accommodate small (SPP), multiple (X) or large (SPG) inserts for cables in the same frame. Future cable size changes can be easily accommodated.

Thanks to the robust construction, the DES 24 is a long lasting product.

Technical data






Material: PP+GF

Flammability: self-extinguishing acc. to UL94-V0

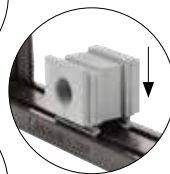
Temperature: -40°C... +155°C (static)

Features: halogens and silicones free

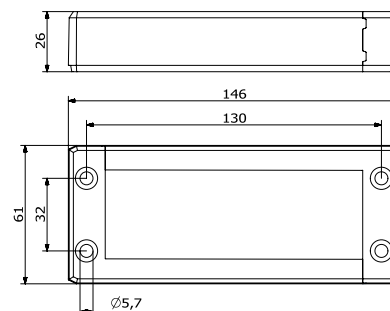
Related products

-  Inserts SPG and SPG M
-  Inserts SPP and SPP K
-  Inserts SPP 2x
-  Inserts SPP 4x
-  Flap frame

Hydraulic punch driver HY360



Dimensions [mm]



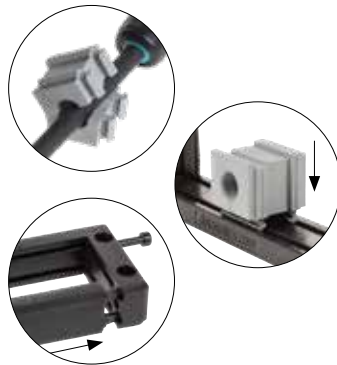
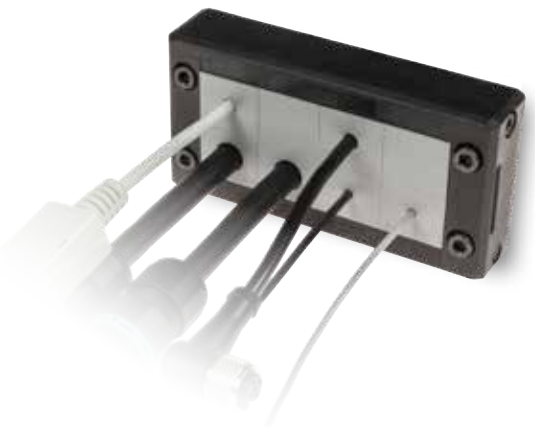
				up to IP66	up to NEMA 4X		IK10		
--	--	--	--	------------	---------------	--	------	--	--



Model	Code	Some possible configurations	Cut-out [mm]	Pcs /pack
DES 16	1731010016		86 x 39	10
Upon request:	1731991020	Set of 4 mounting screws in AISI304 with Black Dacromet finishing		10

Splittable frame for pre-terminated cables

- ▶ Multiple possible configurations in one frame size
- ▶ Frame screws in AISI304 Stainless Steel
- ▶ Integrated gasket
- ▶ Strain relief according to EN 62444
- ▶ Sturdy construction IK10
- ▶ Up to IP66



The DES 16 cable entry system consists of a splittable frame designed to accommodate small (SPP), multiple (X) or large (SPG) inserts for cables in the same frame. Future cable size changes can be easily accommodated.

Thanks to the robust construction, the DES 16 is a long lasting product.

Technical data

Material: PP+GF

Flammability: self-extinguishing acc. to UL94-V0

Temperature: -40°C... +155°C (static)

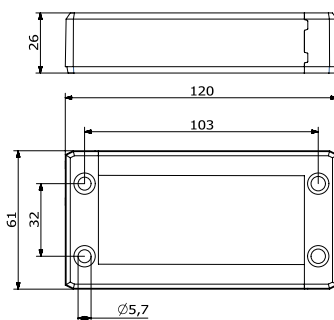
Features: halogens and silicones free

Related products

- Inserts SPG and SPG M
- Inserts SPP and SPP K
- Inserts SPP 2x
- Inserts SPP 4x
- Flap frame

Hydraulic punch driver HY360

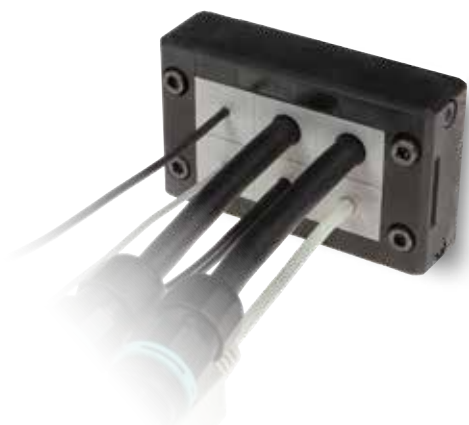
Dimensions [mm]





Splittable frame for pre-terminated cables

- ▶ Multiple possible configurations in one frame size
- ▶ Frame screws in AISI304 Stainless Steel
- ▶ Integrated gasket
- ▶ Strain relief according to EN 62444
- ▶ Sturdy construction IK10
- ▶ Up to IP66



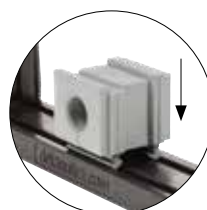
Model	Code	Some possible configurations	Cut-out [mm]	Pcs /pack
DES 10	1731010010		63 x 39	10

Upon request:	1731991020	Set of 4 mounting screws in AISI304 with Black Dacromet finishing	10
---------------	------------	---	----

1

The DES 10 cable entry system consists of a splittable frame designed to accommodate small (SPP), multiple (X) or large (SPG) inserts for cables in the same frame. Future cable size changes can be easily accommodated.

Thanks to the robust construction, the DES 10 is a long lasting product.



Technical data

Material: PP+GF

Flammability: self-extinguishing acc. to UL94-V0

Temperature: -40°C... +155°C (static)

Features: halogens and silicones free

Related products



Inserts SPG and SPG M



Inserts SPP and SPP K



Inserts SPP 2x



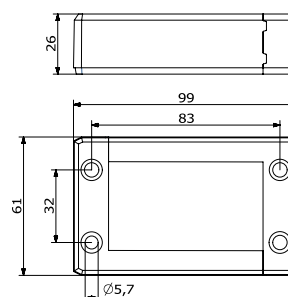
Inserts SPP 4x



Flap frame

Hydraulic punch driver HY360

Dimensions [mm]

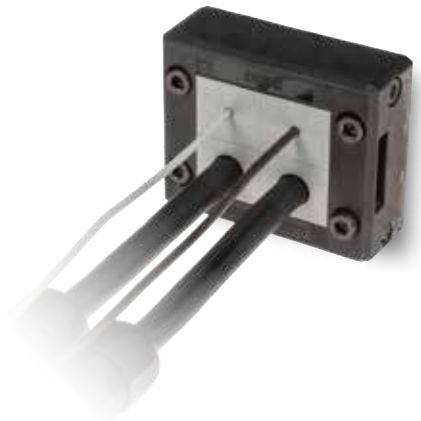




Model	Code	Some possible configurations	Cut-out [mm]	Pcs /pack
DES Q	1731010008		40 x 39	10
Upon request:	1731991020	Set of 4 mounting screws in AISI304 with Black Dacromet finishing		10

Splittable frame for pre-terminated cables

- ▶ Multiple possible configurations in one frame size
- ▶ Frame screws in AISI304 Stainless Steel
- ▶ Integrated gasket
- ▶ Strain relief according to EN 62444
- ▶ Sturdy construction IK10
- ▶ Up to IP66



The DES Q cable entry system consists of a splittable frame designed to accommodate small (SPP), multiple (X) or large (SPG) inserts for cables in the same frame. Future cable size changes can be easily accommodated.

Thanks to the robust construction, the DES Q is a long lasting product.

Technical data

Material: PP+GF

Flammability: self-extinguishing acc. to UL94-V0

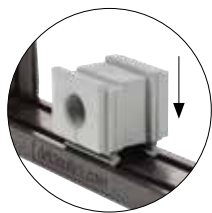
Temperature: -40°C... +155°C (static)

Features: halogens and silicones free

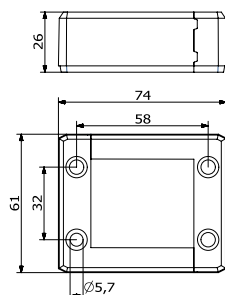
Related products

- Inserts SPG and SPG M
- Inserts SPP and SPP K
- Inserts SPP 2x
- Inserts SPP 4x
- Flap frame

Hydraulic punch driver HY360



Dimensions [mm]



DES COVER

Closing plates for DES series

- ▶ Fast installation
- ▶ Gasket included
- ▶ IP54



Model	Code	Dimensions [mm]		Pcs /pack
		L1	L2	
DES COVER 24	1731032024	146	130	10
DES COVER 16	1731032016	120	103	10
DES COVER 10	1731032010	99	83	10
DES COVER Q	1731032008	74	58	10
Upon request:	1731991020	Set of 4 mounting screws in AISI304 with Black Dacromet finishing		10

Thanks the DES COVER plates it is possible to protect unused openings avoiding contact with the outer environment.

Technical data

Material: PP+GF

Flammability: self-extinguishing acc. to UL94-V0

Temperature: -40°C... +155°C (static)

Features: halogens and silicones free

Related products



DES 24



DES 16

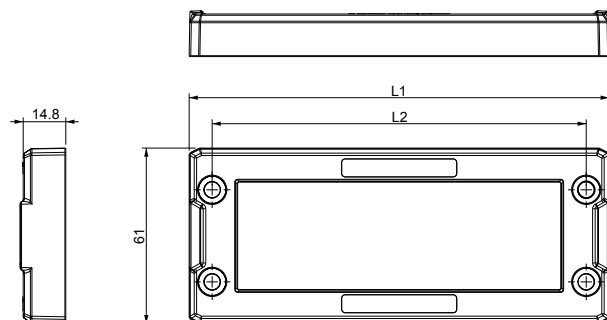


DES 10



DES Q

Dimensions [mm]



Model	Code	Dimensions [mm]		Cut-out [mm]	Pcs /pack
		L1	L2		
DES FLAP 24	1731031024	153	130	108 x 39	10
DES FLAP 16	1731031016	127	103	86 x 39	10
DES FLAP 10	1731031010	106	83	63 x 39	10
DES FLAP Q	1731031008	81	58	40 x 39	10

Fast fixing solution for DES splittable frames

- ▶ Fast installation for the DES Series
- ▶ Gasket included
- ▶ IP54



The DES FLAP solution enables the DES 24, 16, 10 and Q frames to be installed with a quick snap-in connection.

The FLAP frame, once installed, hooks over the split frame and is the best solution for a flexible installation. Enclosures can be later accessed quickly and easily.

The DES splittable frame does not need to be dismantled.

Technical data



Material: PP+GF

Flammability: self-extinguishing acc. to UL94-V0

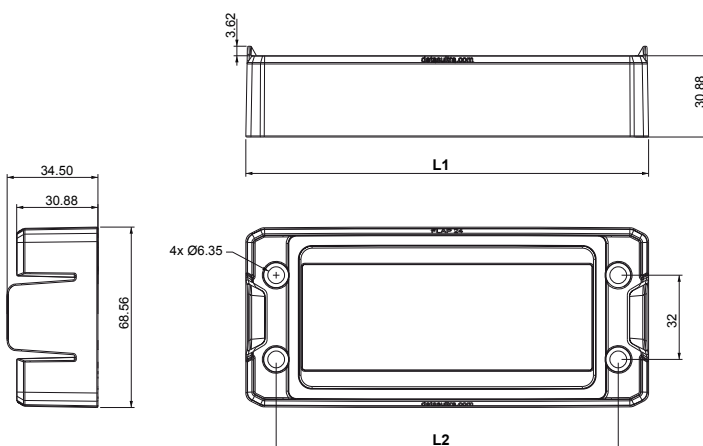
Temperature: -40°C... +155°C (static)

Features: halogens and silicones free

Related products

-  DES 24
-  DES 16
-  DES 10
-  DES Q

Dimensions [mm]



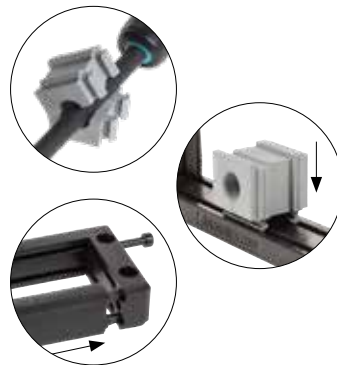


Splittable frame for pre-terminated cables

- ▶ Multiple possible configurations in one frame size
- ▶ A small number of cables can be easily accommodated.
- ▶ Frame screws in AISI304 Stainless Steel
- ▶ Integrated gasket
- ▶ Strain relief according to EN 62444
- ▶ Sturdy construction IK10
- ▶ Up to IP66



Model	Code	Some possible configurations	Cut-out [mm]	Pcs /pack
DES L2	1731010002		40 x 18	10
DES L3	1731010003		63 x 18	10
Upon request:	1731991010	Set of 2 mounting screws in AISI304 with Black Dacromet finishing		10



1

The DES L2 and L3 splittable frames enable pre-terminated cables from 2 to 16mm in diameter to pass through enclosure walls, providing strong strain relief and water protection.

Technical data

Material: PP+GF

Flammability: self-extinguishing acc. to UL94-V0

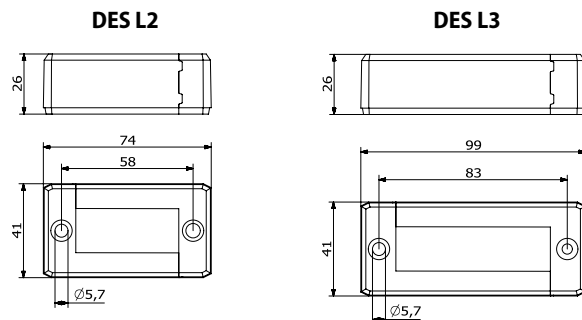
Temperature: -40°C... +155°C (static)

Features: halogens and silicones free

Related products

- Inserts SPP and SPP K
- Inserts SPP 2x
- Inserts SPP 4x

Dimensions [mm]

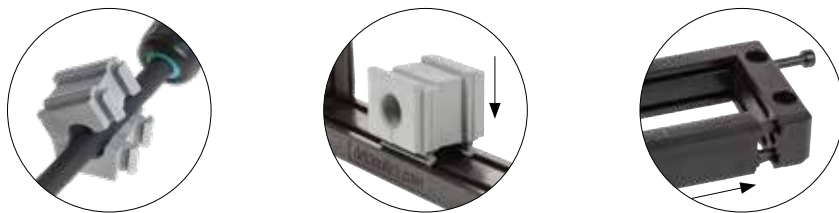
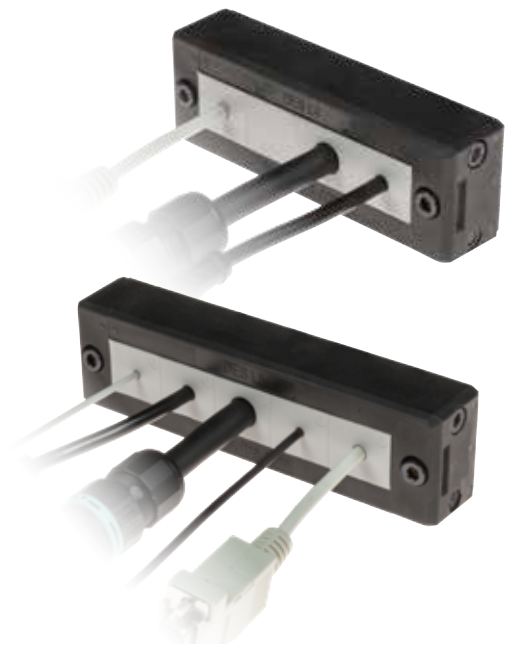




Model	Code	Some possible configurations	Cut-out [mm]	Pcs /pack
DES L4	1731010004		86 x 18	10
DES L5	1731010005		108 x 18	10
Upon request:	1731991010	Set of 2 mounting screws in AISI304 with Black Dacromet finishing		10

Splittable frame for pre-terminated cables

- ▶ Multiple possible configurations in one frame size
- ▶ A small number of cables can be easily accommodated.
- ▶ Frame screws in AISI304 Stainless Steel
- ▶ Integrated gasket
- ▶ Strain relief according to EN 62444
- ▶ Sturdy construction IK10
- ▶ Up to IP66



The DES L4 and L5 splittable frames enable pre-terminated cables from 2 to 16mm in diameter to pass through enclosure walls, providing strong strain relief and water protection.

Technical data

Material: PP+GF

Flammability: self-extinguishing acc. to UL94-V0

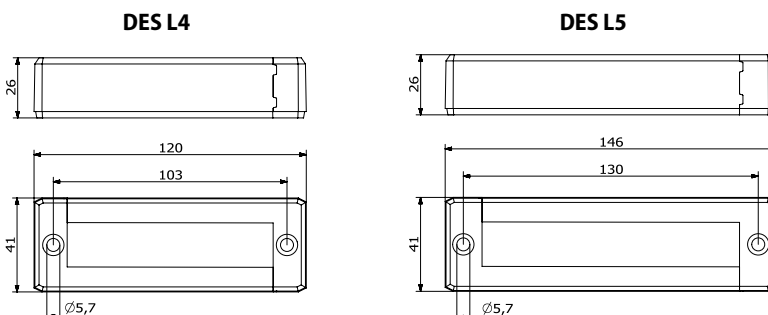
Temperature: -40°C... +155°C (static)

Features: halogens and silicones free

Related products

- Inserts SPP and SPP K
- Inserts SPP 2x
- Inserts SPP 4x

Dimensions [mm]



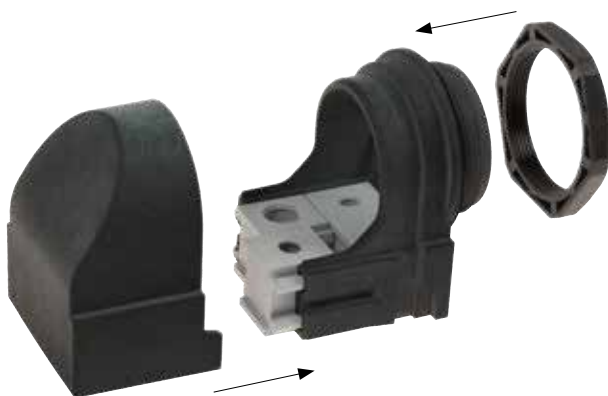
Splittable cable glands



DES CLICK
Simple and fast
snap mounting

DES PRED

Cross your wall with up to
16 pre or not terminated
cables



DES PRED 90

Nice design for your
cabinet thanks to the 90°
cable entrance



Model	Code	Some possible configurations	Cut-out [mm]	Pcs /pack
DES CLICK 20	1731051020	 	20,5	10
DES CLICK 25	1731051025		25,5	
DES CLICK 32	1731051032		32,5	
DES CLICK 20	1731051320	 	20,5	10
DES CLICK 25	1731051325		25,5	
DES CLICK 32	1731051332		32,5	

Upon request: DDM SUB-D9	1731052032	Special size M32 for SUB-D9	10
-----------------------------	------------	-----------------------------	----



Splittable cable gland with locknut

- ▶ Fixing without screws
- ▶ Strain relief according to EN 62444
- ▶ Metric sized
- ▶ Sturdy construction IK10
- ▶ IP54
- ▶ White or black version



DES CLICK is a metric splittable cable gland. DES CLICK works with single and multiple cable inserts from 2 to 16 mm in diameter.

Technical data

Material: PC

Flammability: self-extinguishing acc. to UL94-V0

Temperature: -40°C... +155°C (static)

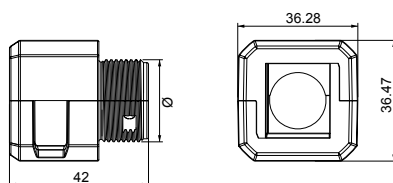
Features: halogens and silicones free

Related products

- Inserts SPP and SPP K
- Inserts SPP 2x
- Inserts SPP 4x

Hydraulic punch driver HY360

Dimensions [mm]





Splittable cable gland with locknut

- ▶ Frame screws in AISI304 Stainless Steel with Black Dacromet finishing
- ▶ Metric sized
- ▶ Up to IP66
- ▶ Strain relief according to EN 62444
- ▶ Sturdy construction IK10

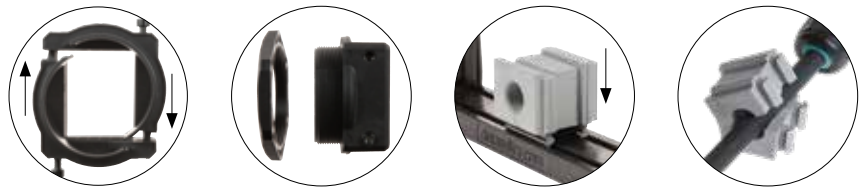


Model	Code	Some possible configurations	Cut-out [mm]	Pcs /pack
DES PRED 25	1731050025		25.5	10
DES PRED 32	1731050032		32.5	10
DES PRED 63	1731050063		63.5	10

Upon request: DDM SUB-D9	1731052032	Special size M32 for SUB-D9	10

The DES PRED series are splittable cable glands for metric threads.

The 63 model can be used with small, multiple and large inserts for cables from 2 to 34mm in diameter. With multiple inserts it is possible to accommodate up to 16 cables. Future cable size changes can also be easily accommodated using various inserts.



Technical data

Material: PP+GF

Flammability: self-extinguishing acc. to UL94-V0

Temperature: -40°C... +155°C (static)

Features: halogens and silicones free

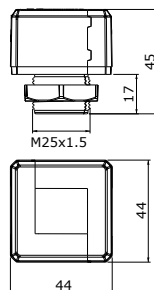
Related products

- Inserts SPG and SPG M
- Inserts SPP and SPP K
- Inserts SPP 2x
- Inserts SPP 4x

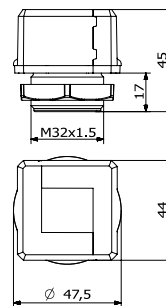
Hydraulic punch driver HY360

Dimensions [mm]

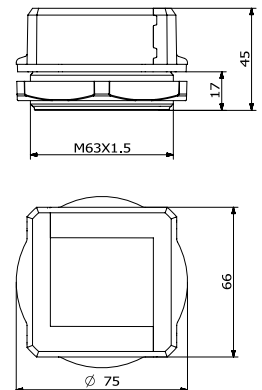
DES PRED 25



DES PRED 32



DES PRED 63





Model	Code	Some possible configurations	Cut-out [mm]	Pcs /pack
DES PRED 50-90	1731050250		50.5	10

Splittable cable gland and locknut with 90° entry

- ▶ Fixing without screws
- ▶ Metric sized
- ▶ Strain relief according to EN 62444
- ▶ IP54
- ▶ Sturdy construction IK10



The DES PRED 50-90 is a splittable gland for the 50 metric thread with a 90 degree entry. It can be used with small, multiple and large inserts for cables 2 to 16mm in diameter. With multiple inserts it is possible to accommodate up to 16 cables.

Future cable size changes can also be easily organized using various inserts..

Technical data

Material: PA

Flammability: self-extinguishing acc. to UL94-V0

Temperature: -40°C... +155°C (static)

Features: halogens and silicones free

Related products



Inserts SPG and SPG M



Inserts SPP, SPP K



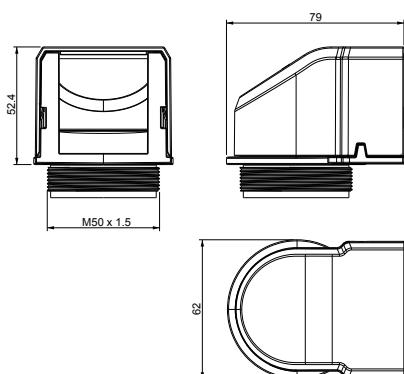
Inserts SPP 2x



Inserts SPP 4x

Hydraulic punch driver HY360

Dimensions [mm]





DES inserts - small: single, double and quadruple

- ▶ Inserts for cables from 2 to 16 mm in diameter
- ▶ "Blind" version available
- ▶ Grey and black colours available
- ▶ UL94V0 for both colours



1

The SPP inserts enable several cables from 2 to 16mm in diameter to be installed in the DES splittable frame.

The 2X and 4X versions enable multiple cables to be installed.

Technical data

Material: TPE

Flammability: self-extinguishing acc. to UL94-V0

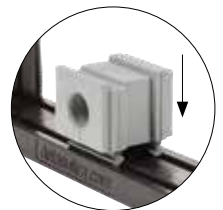
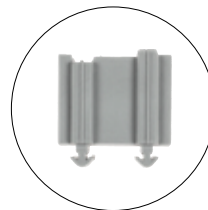
Temperature: -40°C... +110°C (static)

Features: halogens and silicones free

Related products

DES 24	DES L5	DES PRED
DES 16	DES L4	DES PRED 90
DES 10	DES L3	DES CLICK
DES Q	DES L2	

Model	Code	Ø Cable [mm]	Model	Code	Pcs /pack
SPP 0G	1731020100	"blind"	SPP 0B	1731020200	10
SPP 2G	1731020102	2-3	SPP 2B	1731020202	
SPP 3G	1731020103	3-4	SPP 3B	1731020203	
SPP 4G	1731020104	4-5	SPP 4B	1731020204	
SPP 5G	1731020105	5-6	SPP 5B	1731020205	
SPP 6G	1731020106	6-7	SPP 6B	1731020206	
SPP 7G	1731020107	7-8	SPP 7B	1731020207	
SPP 8G	1731020108	8-9	SPP 8B	1731020208	
SPP 9G	1731020109	9-10	SPP 9B	1731020209	
SPP 10G	1731020110	10-11	SPP 10B	1731020210	
SPP 11G	1731020111	11-12	SPP 11B	1731020211	
SPP 12G	1731020112	12-13	SPP 12B	1731020212	
SPP 13G	1731020113	13-14	SPP 13B	1731020213	
SPP 14G	1731020114	14-15	SPP 14B	1731020214	
SPP 15G	1731020115	15-16	SPP 15B	1731020215	
SPP 16G	1731020116	16-17	SPP 16B	1731020216	
SPP 2x2G	1731020304	2 x 2	SPP 2x2B	1731020404	10
SPP 2x3G	1731020306	2 x 3	SPP 2x3B	1731020406	
SPP 2x4G	1731020308	2 x 4	SPP 2x4B	1731020408	
SPP 2x5G	1731020310	2 x 5	SPP 2x5B	1731020410	
SPP 2x6G	1731020312	2 x 6	SPP 2x6B	1731020412	
SPP 2x7G	1731020314	2 x 7	SPP 2x7B	1731020414	
SPP 2x8G	1731020316	2 x 8	SPP 2x8B	1731020416	
SPP 4x2G	1731020318	4 x 2	SPP 4x2B	1731020418	10
SPP 4x3G	1731020320	4 x 3	SPP 4x3B	1731020420	
SPP 4x4G	1731020322	4 x 4	SPP 4x4B	1731020422	
SPP 4x5G	1731020324	4 x 5	SPP 4x5B	1731020424	
SPP 4x6G	1731020326	4 x 6	SPP 4x6B	1731020426	



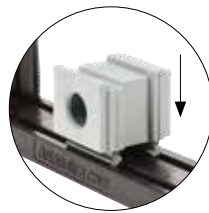
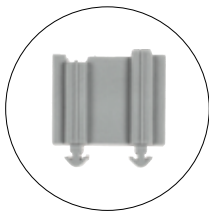


Model	Code	Ø Cable [mm]	Model	Code	Pcs /pack
SPP K0G	1731021100	"blind"	SPP K0B	1731023100	10
SPP K1G	1731021110	2.5/7	SPP K1B	1731023110	
SPP K2G	1731021115	5/10	SPP K2B	1731023115	
SPP K3G	1731021120	7.5/11.5	SPP K3B	1731023120	
SPP K4G	1731021125	10/14	SPP K4B	1731023125	

DES inserts with extended range - non split

- ▶ Extended range inserts for **non-terminated cables**
- ▶ Diameters from 2.5 to 14 mm
- ▶ "Blind" insert pierceable available
- ▶ Grey and black colours available
- ▶ UL94V0 for both colours

The SPP K inserts enable non-terminated cables to be accommodated in the DES splittable frames. Each insert has an extended range. The "blind" insert, properly pierced, enables cables from 1 to 16mm in diameter to pass through the frame.



Technical data

Material: TPE

Flammability: self-extinguishing acc. to UL94-V0

Temperature: -40°C... +110°C (static)

Features: halogens and silicones free

Related products

- | | | |
|--------|--------|-------------|
| DES 24 | DES L5 | DES PRED |
| DES 16 | DES L4 | DES PRED 90 |
| DES 10 | DES L3 | DES CLICK |
| DES Q | DES L2 | |





DES insert - large

- ▶ SPG: inserts for **pre-terminated cables** from 17 to 34 mm in diameter
- ▶ SPG K0: inserts for **non-terminated cables**
- ▶ "Blind" version available
- ▶ Grey and black colours available
- ▶ UL94V0 for both colours



1

The SPG inserts enable several cables from 17 to 34mm in diameter to be installed in the DES splittable frames.

Technical data

Material: TPE



Flammability: self-extinguishing acc. to UL94-V0

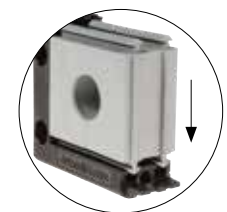
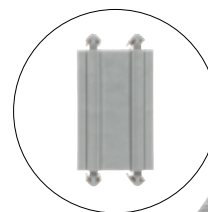
Temperature: -40°C... +110°C (static)

Features: halogens and silicones free

Related products

- DES 24 DES PRED 63
- DES 16 DES PRED 90-50
- DES 10
- DES Q

Model	Code	Ø Cable [mm]	Model	Code	Pcs /pack
					
SPG 0G	1731022000	"blind"	SPG 0B	1731022020	
SPG K0G	1731022300	"blind" pierceable Ø max. 32	SPG K0B	1731022400	
SPG 17G	1731022117	17	SPG 17B	1731022217	10
SPG 18G	1731022118	18	SPG 18B	1731022218	
SPG 19G	1731022119	19	SPG 19B	1731022219	
SPG 20G	1731022120	20	SPG 20B	1731022220	
SPG 21G	1731022121	21	SPG 21B	1731022221	
SPG 22G	1731022122	22	SPG 22B	1731022222	
SPG 23G	1731022123	23	SPG 23B	1731022223	
SPG 24G	1731022124	24	SPG 24B	1731022224	
SPG 25G	1731022125	25	SPG 25B	1731022225	
SPG 26G	1731022126	26	SPG 26B	1731022226	
SPG 27G	1731022127	27	SPG 27B	1731022227	
SPG 28G	1731022128	28	SPG 28B	1731022228	
SPG 29G	1731022129	29	SPG 29B	1731022229	
SPG 30G	1731022130	30	SPG 30B	1731022230	
SPG 31G	1731022131	31	SPG 31B	1731022231	
SPG 32G	1731022132	32	SPG32B	1731022232	
SPG 33G	1731022133	33	SPG33B	1731022233	
SPG 34G	1731022134	34	SPG34B	1731022234	



 UV ISO 4892-2A	 RoHS COMPLIANT	 CAD	 UL US	 up to IP66	 up to NEMA 4X	 TPE	 UL94-V0	 -40 +110 °C
--	--	---	--	--	---	---	---	---

Model	Code	Color	Cable nr. - Ø cables [mm]	Pcs /pack
SPG M14G	1731022314		12 – max. 6.5 2 – max. 12	10
SPG M14B	1731022414			

DES insert - large - double membrane

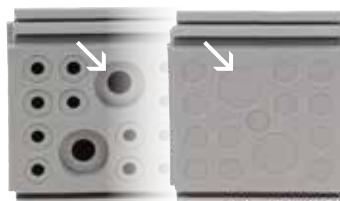
- ▶ For high number of **non-terminated cables**
- ▶ Grey and black colours available
- ▶ UL94V0 for both colours
- ▶ Increased strain relief acc. to EN62444



The SPG M inserts enable a high number of cables to be installed in the DES splittable frames.

The cable is pushed through the front membrane, whilst the second membrane increases the strain relief and liquid resistance.

Double membrane



Technical data

Material: TPE

Flammability: self-extinguishing acc. to UL94-V0

Temperature: -40°C... +110°C (static)

Features: halogens and silicones free

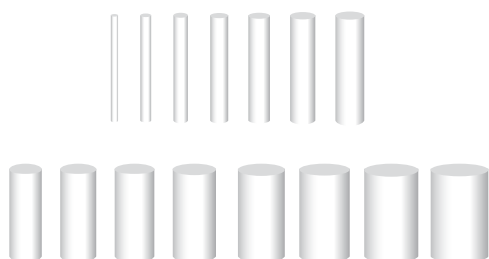
Related products

- DES 24 DES Q
- DES 16 DES PRED 63
- DES 10 DES PRED 90



Plugs for SPP series

► Plastic plugs for SPP inserts, from 2 to 16 mm in diameter



The ISP plugs fit perfectly into the SPP insert hole restoring the water protection property of the DES splittable frames. These plugs range from 2 to 16mm in diameter.

Technical data

Material: PC

Flammability: self-extinguishing acc. to UL94-V0

Temperature: -40°C... +155°C (static)

Features: halogens and silicones free

Related products

SPP

SPP 2x

SPP 4x

Model	Code	Ø Diameter [mm]	Length [mm]	Pcs /pack
ISP 2	1731040002	2	30	20
ISP 3	1731040003	3		
ISP 4	1731040004	4		
ISP 5	1731040005	5		
ISP 6	1731040006	6		
ISP 7	1731040007	7		
ISP 8	1731040008	8		
ISP 9	1731040009	9		
ISP 10	1731040010	10		
ISP 11	1731040011	11		
ISP 12	1731040012	12		
ISP 13	1731040013	13		
ISP 14	1731040014	14		
ISP 15	1731040015	15		
ISP 16	1731040016	16		





Code	Suitable for	L [mm]	H [mm]	Pcs /pack
1731999900	DES ZZ 24 DES ZZ L5	113	25	6
1731999890	DES ZZ 16 DES ZZ L4	90	25	
1731999880	DES ZZ 10 DES ZZ L3	67,5	25	
1731999870	DES ZZ Q DES PRED ZZ 63 DES ZZ L2	44	25	
1731999860	DES Z 24	116	23	
1731999850	DES Z 16	90	23	
1731999840	DES Z 10	70	23	
1731999820	DES PRED ZZ 32	22	25	

Brushes for DES series

► Compatible brushes for the DES series



The ZZ brushes fit into the DES series for fast and dust-proof passing of pre-terminated and non-terminated cables.

1

Technical data

Material: PA

Flammability: self-extinguishing acc. to UL94-V0

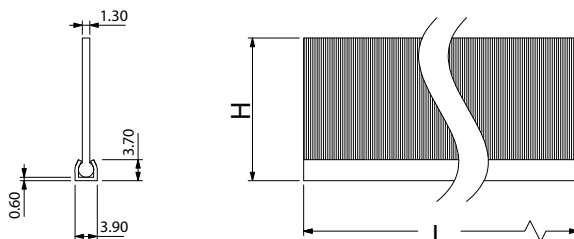
Temperature: -40°C... +110°C (static)

Features: halogens and silicones free

Related products

- DES 24 DES L5 DES PRED
- DES 16 DES L4 DES PRED 90
- DES 10 DES L3
- DES Q DES L2

Dimensions [mm]





Cable frame with brush

- ▶ Brush frame for pre and non-terminated cables
- ▶ Tidy and cost effective solution
- ▶ Available in three sizes (24, 16 and 10)



Model	Code	Dimensions [mm]		Cut-out [mm]	Pcs /pack
		L1	L2		
DES Z 24	1731060024	146	130	108 x 39	10
DES Z 16	1731060016	120	103	86 x 39	
DES Z 10	1731060010	99	83	63 x 39	
Upon request:	1731991020	Set of 4 mounting screws in AISI304 with Black Dacromet finishing			10

The DES Z series enables multiple cables and connector sizes to be accommodated.

Effective protection against dust and debris.

1

Technical data

Material: PP+GF

Flammability: self-extinguishing acc. to UL94-V0

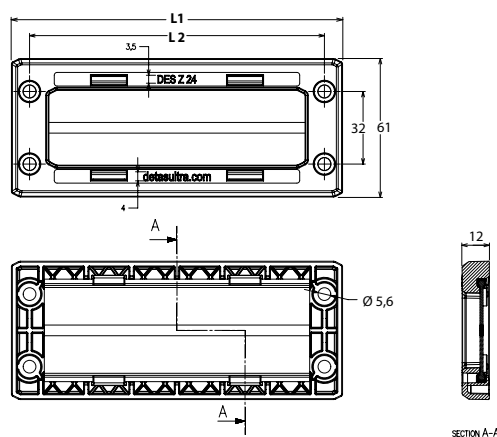
Temperature: -40°C... +155°C (static)

Features: halogens and silicones free

Related products

Hydraulic punch driver HY360

Dimensions [mm]



--	--	--	--	--	--	--	--	--	--



Model	Code	Dimensions [mm]		Cut-out [mm]	Pcs /pack
		L1	L2		
DES ZZ 24	1731060224	146	130	108 x 39	10
DES ZZ 16	1731060216	120	103	86 x 39	
DES ZZ 10	1731060210	99	83	63 x 39	
DES ZZ Q	1731060208	74	58	40 x 39	
DES ZZ L5	1731060205	146	130	108 x 18	
DES ZZ L4	1731060204	120	103	86 x 18	
DES ZZ L3	1731060203	99	83	63 x 18	
DES ZZ L2	1731060202	74	58	40 x 18	
Upon request:	1731991020	Set of 4 mounting screws in AISI304 with Black Dacromet finishing			10

Splittable frame with double brush

- ▶ Brush frame for pre and non-terminated cables
- ▶ Double frame offering increased dust protection
- ▶ 8 different models (24, 16, 10, Q, L5, L4, L3 and L2)



The DES ZZ is a splittable frame with 2 rows of brushes providing increased protection against dust and debris.

A variety of cables and connector sizes can be accommodated.

Technical data

Material: PP+GF

Flammability: self-extinguishing acc. to UL94-V0

Temperature: -40°C... +155°C (static)

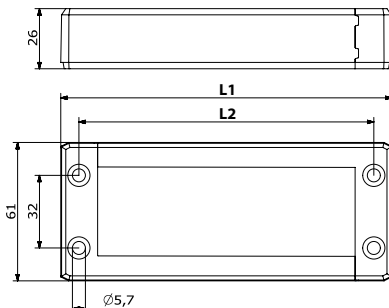
Features: halogens and silicones free

Related products

 Flap frame

Hydraulic punch driver HY360

Dimensions [mm]





Splittable frame and locknut with double brush

- ▶ Double brush frame for pre and non-terminated cables
- ▶ Frame screws in AISI304 Stainless Steel with Black Dacromet finishing
- ▶ Metric threads M32 and M63



Model	Code	Metric thread	Pcs /pack
DES PRED ZZ 32	1731060232	M32 x 1.5	10
DES PRED ZZ 63	1731060263	M63 x 1.5	10

Upon request: DDM SUB-D9	1731052032	Special size M32 for SUB-D9	10



DES PRED ZZ consists of a square frame with two rows of brushes.

Excellent protection is offered against dust and debris.

Technical data

Material: PP+GF

Flammability: self-extinguishing acc. to UL94-V0

Temperature: -40°C... +155°C (static)

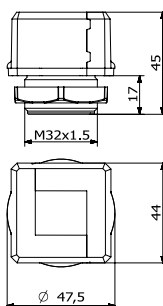
Features: halogens and silicones free

Related products

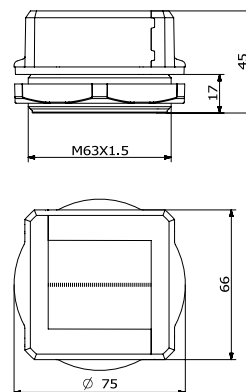
Hydraulic punch driver HY360

Dimensions [mm]

DES PRED ZZ 32



DES PRED ZZ 63



Group 2

Entry system for non-terminated cables





Cable entry plates for non-terminated cables

- ▶ For high number of cables
- ▶ High retaining force thanks to the double membrane
- ▶ Cost efficient solution
- ▶ High IP grade (IP65-66)

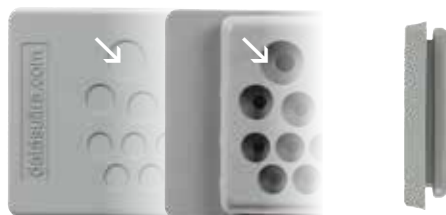


Model	Code	Cable nr. - Ø cables [mm]	Dimensions [mm]		Pcs /pack
			Cut-out	Plate	
DES-PM 24 12G	1732052412	12 - max. 15	112 x 36 max. +0.5	144 x 46	10
DES-PM 24 14G	1732052414	14 - max. 12.1			
DES-PM 24 17G	1732052417	5 - max. 10.5 12 - max. 12.6			
DES-PM 24 18G	1732052418	4 - max. 6.5 5 - max. 10.5 5 - max. 12.6 4 - max. 16.1			
DES-PM 24 20G	1732052420	13 - max. 6.5 7 - max. 12.1			
DES-PM 24 26G	1732052426	16 - max. 6.5 4 - max. 12.1 4 - max. 16.1 2 - ASI cable			
DES-PM 24 42G	1732052442	1 - max. 4.7 12 - max. 5 17 - max. 6.4 12 - max. 7.2			
DES-PM 24 48G	1732052448	48 - max. 6.5			
DES-PM 24 50G	1732052450	33 - max. 5.3 9 - max. 6.4 8 - max. 8.3			

The DES-PM 24 is an innovative alternative to standard cable glands on electrical, electronic and telecommunication cabinets and equipment.

The cable is pushed through the front membrane, whilst the second membrane increases the strain relief and liquid resistance.

Double membrane



Technical data

Material: TPE

Flammability: self-extinguishing acc. to UL94-V0

Temperature: -40°C... +105°C (static)

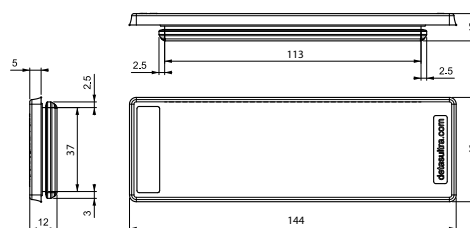
Features: halogens and silicones free

Wall thickness: from 1.5 to 2.5 mm

Related products

Hydraulic punch driver HY360

Dimensions [mm]





Model	Code	Cable nr. - Ø cables [mm]	Dimensions [mm]		Pcs /pack
			Cut-out	Plate	
DES-PM 24 12B	1732053413	12 - max. 15	112 x 36 max. +0.5	144 x 46	10
DES-PM 24 14B	1732053415	14 - max. 12.1			
DES-PM 24 17B	1732053418	5 - max. 10.5 12 - max. 12.6			
DES-PM 24 18B	1732053419	4 - max. 6.5 5 - max. 10.5 5 - max. 12.6 4 - max. 16.1			
DES-PM 24 20B	1732053421	13 - max. 6.5 7 - max. 12.1			
DES-PM 24 26B	1732053427	16 - max. 6.5 4 - max. 12.1 4 - max. 16.1 2 - ASI cable			
DES-PM 24 42B	1732053443	1 - max. 4.7 12 - max. 5 17 - max. 6.4 12 - max. 7.2			
DES-PM 24 48B	1732053449	48 - max. 6.5			
DES-PM 24 50B	1732053451	33 - max. 5.3 9 - max. 6.4 8 - max. 8.3			

Cable entry plates for non-terminated cables

- ▶ For high number of cables
- ▶ High retaining force thanks to the double membrane
- ▶ Cost efficient solution
- ▶ High IP grade (IP65-66)



Double membrane



The DES-PM 24 is an innovative alternative to standard cable glands on electrical, electronic and telecommunication cabinets and equipment.

The cable is pushed through the front membrane, whilst the second membrane increases the strain relief and liquid resistance.

2

Technical data

Material: TPE

Flammability: self-extinguishing acc. to UL94-V0

Temperature: -40°C... +105°C (static)

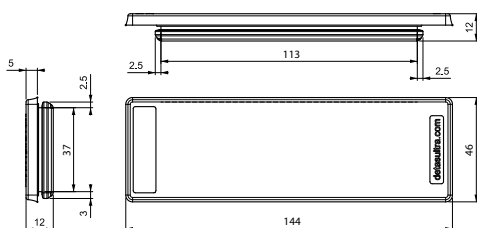
Features: halogens and silicones free

Wall thickness: from 1.5 to 2.5 mm

Related products

Hydraulic punch driver HY360

Dimensions [mm]





Cable entry plates for non-terminated cables

- ▶ For several number of cables in a limited space
- ▶ High retaining force thanks to the double membrane
- ▶ Cost efficient solution
- ▶ High IP grade (IP65-66)



The DES-PM S is an innovative alternative to standard cable glands on electrical, electronic and telecommunication cabinets and equipment.

The cable is pushed through the front membrane, whilst the second membrane increases the strain relief and liquid resistance.

Double membrane



Technical data

Material: TPE

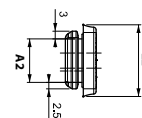
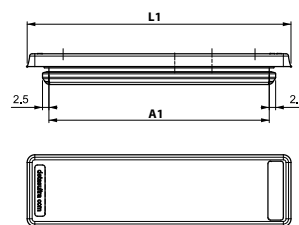
Flammability: self-extinguishing acc. to UL94-V0

Temperature: -40°C... +105°C (static)

Features: halogens and silicones free

Wall thickness: from 1.5 to 2.5 mm

Dimensions [mm]



				up to IP66	up to NEMA 4X			
--	--	--	--	-------------------	----------------------	--	--	--

Model	Code	Cable nr. - Ø cables [mm]	Dimensions [mm]		Pcs /pack
			Cut-out A1xA2	Plate L1xL2	
DES-PM S 46 7G	1732074607	2 - max. 6.5 5 - max. 8.3	46 x 18 max. +0.5	64 x 28	10
DES-PM S 46 9G	1732074609	8 - max. 6.5 1 - max. 12.1			
DES-PM S 86 11G	1732078611	2 - max. 6.5 9 - max. 8.35	85 x 16 max. +0.5	103 x 28	10
DES-PM S 86 17G	1732078617	16 - max. 6.5 1 - max. 12.1			
DES-PM S 112 21G	1732071221	16 - max. 6.5 4 - max. 8.3 1 - max. 12.1	112 x 18 max. +0.5	130 x 28	10



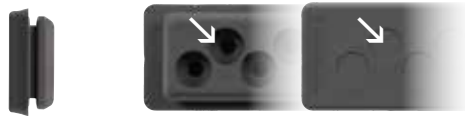
Model	Code	Cable nr. - Ø cables [mm]	Dimensions [mm]		Pcs /pack
			Cut-out A1xA2	Plate L1xL2	
DES-PM S 46 7B	1732074608	2 - max. 6.5 5 - max. 8.3	46 x 18 max. +0.5	64 x 28	10
DES-PM S 46 9B	1732074610	8 - max. 6.5 1 - max. 12.1			
DES-PM S 86 11B	1732078612	2 - max. 6.5 9 - max. 8.35	85 x 16 max. +0.5	103 x 28	10
DES-PM S 86 17B	1732078618	16 - max. 6.5 1 - max. 12.1			
DES-PM S 112 21B	1732071222	16 - max. 6.5 4 - max. 8.3 1 - max. 12.1	112 x 18 max. +0.5	130 x 28	10

Cable entry plates for non-terminated cables

- ▶ For several number of cables in a limited space
- ▶ High retaining force thanks to the double membrane
- ▶ Cost efficient solution
- ▶ High IP grade (IP65-66)



Double membrane



The DES-PM S is an innovative alternative to standard cable glands on electrical, electronic and telecommunication cabinets and equipment.

The cable is pushed through the front membrane, whilst the second membrane increases the strain relief and liquid resistance.

Technical data

Material: TPE

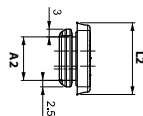
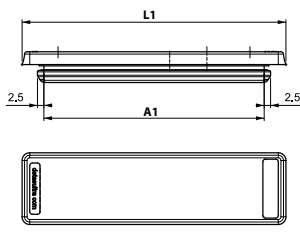
Flammability: self-extinguishing acc. to UL94-V0

Temperature: -40°C... +105°C (static)

Features: halogens and silicones free

Wall thickness: from 1.5 to 2.5 mm

Dimensions [mm]



Round cable entry plates for non-terminated cables

- ▶ For several number of cables
- ▶ High retaining force thanks to the double membrane
- ▶ Cost efficient solution
- ▶ High IP grade (IP65-66)
- ▶ Metric sized



The round metric DES-PM M is an innovative alternative to standard cable glands on electrical, electronic and telecommunication cabinets and equipment.

The cable is pushed through the front membrane, whilst the second membrane increases the strain relief and liquid resistance.

Technical data

Material: TPE

Flammability: self-extinguishing acc. to UL94-V0

Temperature: -40°C... +105°C (static)

Features: halogens and silicones free

Type 1: wall thickness from 1.5 to 2.5 mm

Type 2: wall thickness from 2.8 to 4 mm

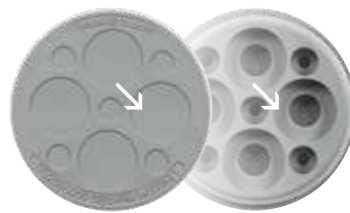
Related products

Hydraulic punch driver HY360



Model	Code	Cable nr. - Ø cables [mm]	Dimensions [mm]		Pcs /pack
			Ø Cut-out	Ø Plate	
DES-PM M 25 4G	type 1: 1732062504	4 - max. 8	min.: 25 max.: 26 recomm.: 25.5	34	10
DES-PM M 25 6G	type 1: 1732062506	4 - max. 5.2 2 - max. 9.4			
DES-PM M 32 10G	type 1: 1732063210 type 2: 1732263210	6 - max. 5.2 2 - max. 6.4 2 - max. 9.4	min.: 32 max.: 33 recomm.: 32.5	40	10
DES-PM M 50 9G	type 1: 1732065009	5 - max. 7 4 - max. 18.3			
DES-PM M 50 11G	type 1: 1732065011	7 - max. 7 3 - max. 11.4 1 - max. 22			
DES-PM M 50 12G	type 1: 1732065012 type 2: 1732265012	10 - max. 9 2 - max. 11.4			
DES-PM M 50 15G	type 1: 1732065015	2 - max. 6 4 - max. 7.2 4 - max. 9.7 5 - max. 12	min.: 50 max.: 51 recomm.: 50.5	62	10
DES-PM M 50 17G	type 1: 1732065017	5 - max. 5.5 5 - max. 6.5 3 - max. 9.7 4 - max. 11.4			
DES-PM M 50 20G	type 1: 1732065020	16 - max. 6.5 4 - max. 9.7			

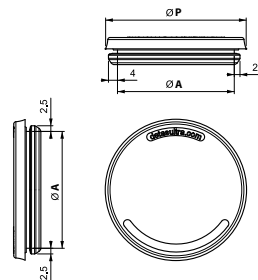
Double membrane



Type 1 Type 2



Dimensions [mm]





Model	Code	Cable nr. - Ø cables [mm]	Dimensions [mm]		Pcs /pack
			Ø Cut-out	Ø Plate	
DES-PM M 25 4B	type 1: 1732063505	4 - max. 8	min.: 25 max.: 26 recomm.: 25.5	34	10
DES-PM M 25 6B	type 1: 1732063507	4 - max. 5.2 2 - max. 9.4			
DES-PM M 32 10B	type 1: 1732064211 type 2: 1732264211	6 - max. 5.2 2 - max. 6.4 2 - max. 9.4	min.: 32 max.: 33 recomm.: 32.5	40	10
DES-PM M 50 9B	type 1: 1732066010	5 - max. 7 4 - max. 18.3			
DES-PM M 50 11B	type 1: 1732066012	7 - max. 7 3 - max. 11.4 1 - max. 22			
DES-PM M 50 12B	type 1: 1732066013 type 2: 1732266013	10 - max. 9 2 - max. 11.4			
DES-PM M 50 15B	type 1: 1732066016	2 - max. 6 4 - max. 7.2 4 - max. 9.7 5 - max. 12	min.: 50 max.: 51 recomm.: 50.5	62	10
DES-PM M 50 17B	type 1: 1732066018	5 - max. 5.5 5 - max. 6.5 3 - max. 9.7 4 - max. 11.4			
DES-PM M 50 20B	type 1: 1732066021	16 - max. 6.5 4 - max. 9.7			

Round cable entry plates for non-terminated cables

- ▶ For several number of cables
- ▶ High retaining force thanks to the double membrane
- ▶ Cost efficient solution
- ▶ High IP grade (IP65-66)
- ▶ Metric sized



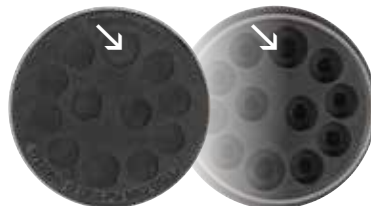
The round metric DES-PM M is an innovative alternative to standard cable glands on electrical, electronic and telecommunication cabinets and equipment.

The cable is pushed through the front membrane, whilst the second membrane increases the strain relief and liquid resistance.

Type 1 Type 2



Double membrane



Technical data

Material: TPE

Flammability: self-extinguishing acc. to UL94-V0

Temperature: -40°C... +105°C (static)

Features: halogens and silicones free

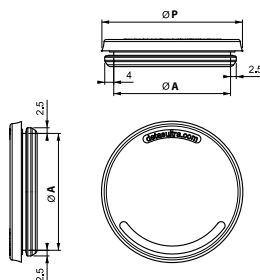
Type 1: wall thickness from 1.5 to 2.5 mm

Type 2: wall thickness from 2.8 to 4 mm

Related products

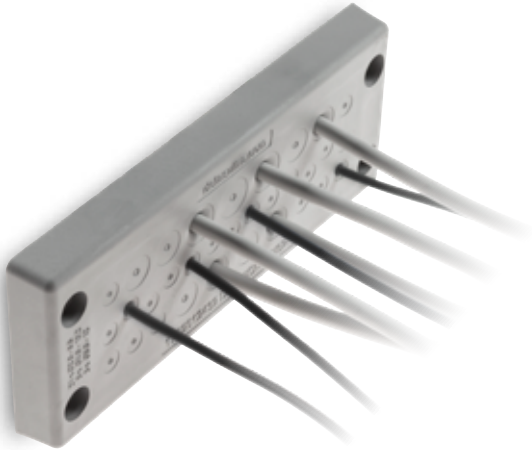
Hydraulic punch driver HY360

Dimensions [mm]



Cable entry plates with internal frame

- ▶ For high number of non-terminated cables
- ▶ High retaining force thanks to the double membrane
- ▶ Cost efficient solution
- ▶ High IP grade (IP65-66)

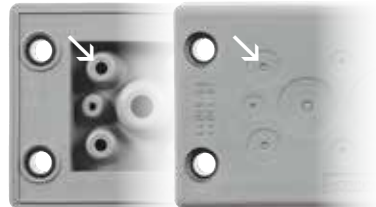


Model	Code	Cable nr. - Ø cables min/max [mm]	Dimensions [mm]		Pcs /pack
			Cut-out	Plate	
DES-PDM 24 14G	1732012414	10 - 2.8 / 6.5 4 - 14.5 / 22	112 x 36	148.6 x 59.6	10
DES-PDM 24 15G	1732012415	15 - 6.8 / 12			
DES-PDM 24 16G	1732012416	8 - 2.8 / 6.5 4 - 4.4 / 9.7 2 - 8.6 / 16.2 2 - 14.5 / 22			
DES-PDM 24 17G	1732012417	6 - 2.8 / 6.5 6 - 4.6 / 10.2 5 - 8.6 / 16.2			
DES-PDM 24 25G	1732012425	12 - 2.8 / 6.5 7 - 4.4 / 9.7 6 - 6.8 / 12			
DES-PDM 24 32G	1732012432	21 - 2.8 / 6.5 8 - 4.6 / 10.2 3 - 6.8 / 12			
DES-PDM 24 42G	1732012442	42 - 2.8 / 6.5			
Upon request:	1731991020	Set of 4 mounting screws in AISI304 with Black Dacromet finishing			

The DES-PDM 24 is an innovative alternative to standard cable glands on electrical, electronic and telecommunication cabinets and equipment.

The cable is pushed through the front membrane, whilst the second membrane increases the strain relief and liquid resistance.

Double membrane



2

Technical data

Material: TPE

Flammability: self-extinguishing acc. to UL94-V0

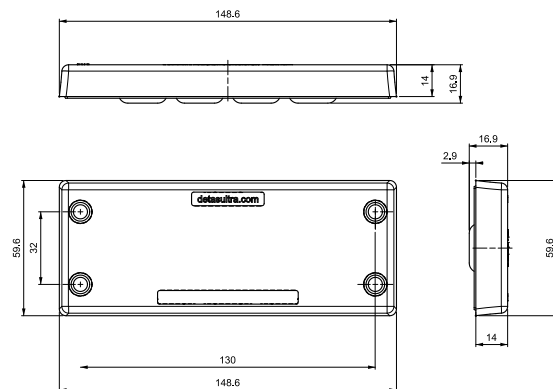
Temperature: -40°C... +105°C (static)

Features: halogens and silicones free

Related products

Hydraulic punch driver HY360

Dimensions [mm]



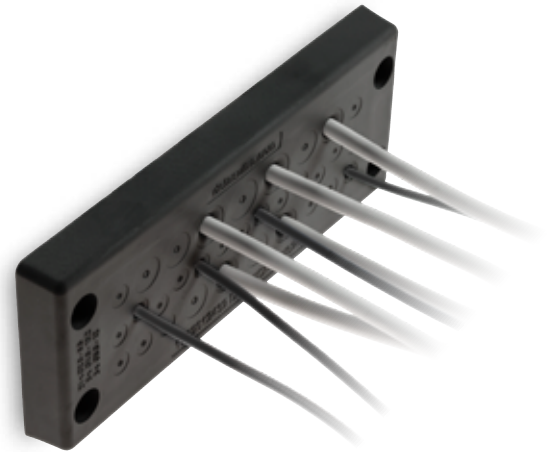
				up to IP66	up to NEMA 4X			
--	--	--	--	-------------------	----------------------	--	--	--



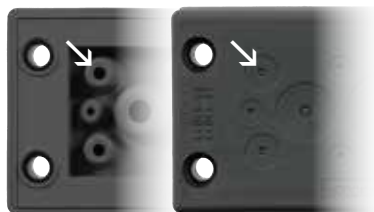
Model	Code	Cable nr. - Ø cables min/max [mm]	Dimensions [mm]		Pcs /pack
			Cut-out	Plate	
DES-PDM 24 14B	1732013415	10 - 2.8 / 6.5 4 - 14.5 / 22	112 x 36	148.6 x 59.6	10
DES-PDM 24 15B	1732013416	15 - 6.8 / 12			
DES-PDM 24 16B	1732013417	8 - 2.8 / 6.5 4 - 4.4 / 9.7 2 - 8.6 / 16.2 2 - 14.5 / 22			
DES-PDM 24 17B	1732013418	6 - 2.8 / 6.5 6 - 4.6 / 10.2 5 - 8.6 / 16.2			
DES-PDM 24 25B	1732013426	12 - 2.8 / 6.5 7 - 4.4 / 9.7 6 - 6.8 / 12			
DES-PDM 24 32B	1732013433	21 - 2.8 / 6.5 8 - 4.6 / 10.2 3 - 6.8 / 12			
DES-PDM 24 42B	1732013443	42 - 2.8 / 6.5			
Upon request:	1731991020	Set of 4 mounting screws in AISI304 with Black Dacromet finishing			10

Cable entry plates with internal frame

- ▶ For high number of non-terminated cables
- ▶ High retaining force thanks to the double membrane
- ▶ Cost efficient solution
- ▶ High IP grade (IP65-66)



Double membrane



The DES-PDM 24 is an innovative alternative to standard cable glands on electrical, electronic and telecommunication cabinets and equipment.

The cable is pushed through the front membrane, whilst the second membrane increases the strain relief and liquid resistance.

Technical data

Material: TPE

Flammability: self-extinguishing acc. to UL94-V0

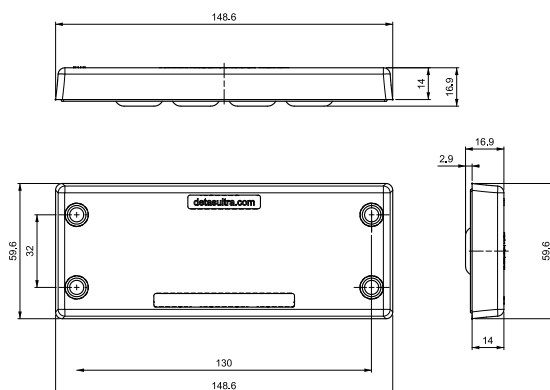
Temperature: -40°C... +105°C (static)

Features: halogens and silicones free

Related products

Hydraulic punch driver HY360

Dimensions [mm]





Cable entry plates with internal frame

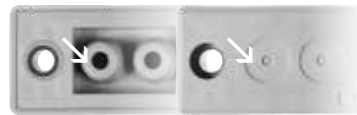
- ▶ For several number of non-terminated cables in a limited space
- ▶ High retaining force thanks to the double membrane
- ▶ Cost efficient solution
- ▶ High IP grade (IP65-66)



Model	Code	Cable nr. - Ø cables min/max [mm]	Dimensions [mm]		Pcs /pack
			Cut-out	Plate	
DES-PDM S 112 7G	1732021127	7 - 6.8 / 12	112x18	150x32	10
DES-PDM S 112 7B	1732022127	7 - 6.8 / 12	112x18	150x32	10

Upon request:	1731991010	Set of 2 mounting screws in AISI304 with Black Dacromet finishing	10
---------------	------------	---	----

Double membrane



The DES-PDM S is an innovative alternative to standard cable glands on electrical, electronic and telecommunication cabinets and equipment.

The cable is pushed through the front membrane, whilst the second membrane increases the strain relief and liquid resistance

Technical data

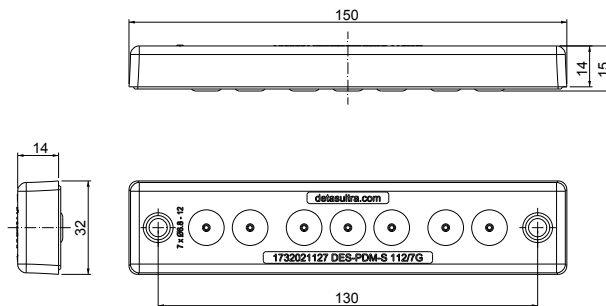
Material: TPE

Flammability: self-extinguishing acc. to UL94-V0

Temperature: -40°C... +105°C (static)

Features: halogens and silicones free

Dimensions (mm)





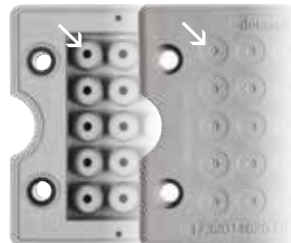
Model	Code	Cable nr. - Ø cables min/max [mm]	Dimensions [mm]		Pcs /pack
			Cut-out	Plate	
DES-PDM Q 13G	1732014613	8 - 2.8 / 6.5 4 - 4.6 / 10.2 1 - 14.5 / 22	46 x 46	74x60	10
DES-PDM Q 17G	1732014617	10 - 2.8 / 6.5 4 - 4.6 / 10.2 2 - 6.8 / 12 1 - 8.6 / 16.2			
DES-PDM Q 25G	1732014625	25 - 2.8 / 6.5			
DES-PDM Q 13B	1732015614	8 - 2.8 / 6.5 4 - 4.6 / 10.2 1 - 14.5 / 22	46 x 46	74x60	10
DES-PDM Q 17B	1732015618	10 - 2.8 / 6.5 4 - 4.6 / 10.2 2 - 6.8 / 12 1 - 8.6 / 16.2			
DES-PDM Q 25B	1732015626	25 - 2.8 / 6.5			

Cable entry plates with internal frame

- ▶ For several number of non-terminated cables in a limited space
- ▶ High retaining force thanks to the double membrane
- ▶ Cost efficient solution
- ▶ High IP grade (IP65-66)



Double membrane



The DES-PDM Q is an innovative alternative to standard cable glands on electrical, electronic and telecommunication cabinets and equipment.

The cable is pushed through the front membrane, whilst the second membrane increases the strain relief and liquid resistance.

Technical data

Material: TPE

Flammability: self-extinguishing acc. to UL94-V0

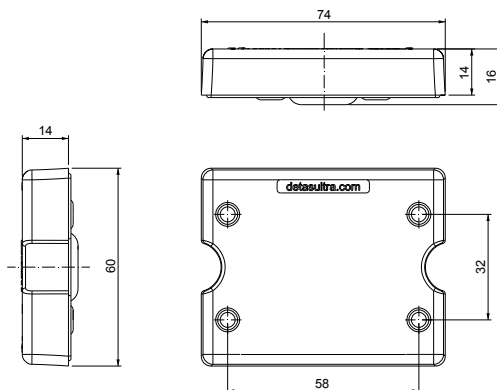
Temperature: -40°C... +105°C (static)

Features: halogens and silicones free

Related products

Hydraulic punch driver HY360

Dimensions [mm]





Round cable entry plates with internal frame and locknut

- ▶ For several number of non-terminated cables
- ▶ High retaining force thanks to the double membrane
- ▶ Cost efficient solution
- ▶ High IP grade (IP65-66-68)
- ▶ Metric sized



2

The round metric DES-PDM M is an innovative alternative to standard cable glands on electrical, electronic and telecommunication cabinets and equipment.

The cable is pushed through the front membrane, whilst the second membrane increases the strain relief and liquid resistance.

Technical data

Material: TPE

Flammability: self-extinguishing acc. to UL94-V0

Temperature: -40°C... +105°C (static)

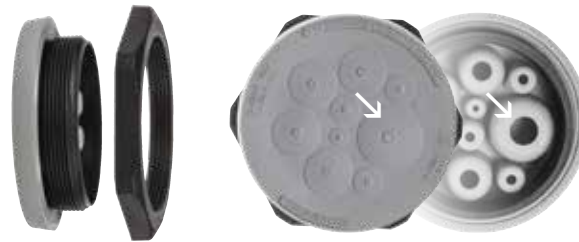
Features: halogens and silicones free

Related products

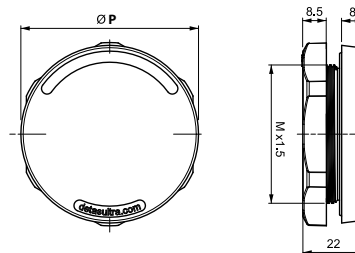
Hydraulic punch driver HY360

Model	Code	Cable nr. - Ø cables min/max [mm]	Thread x1.5	Dimensions Ø P [mm]	Pcs /pack
DES-PDM M32 4G	1732033204	3 - 2.6 / 6.5 1 - 5.5 / 12.5	M32	46	10
DES-PDM M32 4-2G	1732033242	4 - 3.5 / 8.8			
DES-PDM M32 7G	1732033207	7 - 2.6 / 6.5			
DES-PDM M40 8G	1732034008	4 - 2.6 / 6.5 4 - 4 / 10.2	M40	54	10
DES-PDM M50 8G	1732035008	5 - 4.6 / 10.2 3 - 6.8 / 12.5	M50	64	10
DES-PDM M50 10G	1732035010	7 - 2.8 / 6.5 2 - 4.6 / 10.2 1 - 14.5 / 22			
DES-PDM M50 12G	1732035012	4 - 2.8 / 6.5 8 - 4.6 / 10.2			
DES-PDM M50 19G	1732035019	19 - 2.8 / 6.5			
DES-PDM M63 9G	1732036309	1 - 2.6 / 6 3 - 4.6 / 10.2 4 - 8.6 / 16.2 1 - 10.9 / 20	M63	77	10
DES-PDM M63 13G	1732036313	4 - 2.8 / 6 4 - 4.6 / 10.2 5 - 9.5 / 16.2			
DES-PDM M63 14G	1732036314	14 - 5 / 10			
DES-PDM M63 35G	1732036335	35 - 2.6 / 5.5			

Double membrane



Dimensions [mm]





Model	Code	Cable nr. - Ø cables min/max [mm]	Thread x1.5	Dimensions Ø P [mm]	Pcs /pack
DES-PDM M32 4B	1732034205	3 - 2.6 / 6.5 1 - 5.5 / 12.5	M32	46	10
DES-PDM M32 4-2B	1732034252	4 - 3.5 / 8.8			
DES-PDM M32 7B	1732034208	7 - 2.6 / 6.5			
DES-PDM M40 8B	1732035009	4 - 2.6 / 6.5 4 - 4 / 10.2	M40	54	10
DES-PDM M50 8B	1732036009	5 - 4.6 / 10.2 3 - 6.8 / 12.5	M50	64	10
DES-PDM M50 10B	1732036011	7 - 2.8 / 6.5 2 - 4.6 / 10.2 1 - 14.5 / 22			
DES-PDM M50 12B	1732036013	4 - 2.8 / 6.5 8 - 4.6 / 10.2			
DES-PDM M50 19B	1732036020	19 - 2.8 / 6.5			
DES-PDM M63 9B	1732037310	1 - 2.6 / 6 3 - 4.6 / 10.2 4 - 8.6 / 16.2 1 - 10.9 / 20	M63	77	10
DES-PDM M63 13B	1732037314	4 - 2.8 / 6 4 - 4.6 / 10.2 5 - 9.5 / 16.2			
DES-PDM M63 14B	1732037315	14 - 5 / 10			
DES-PDM M63 35B	1732037336	35 - 2.6 / 5.5			

Round cable entry plates with internal frame and locknut

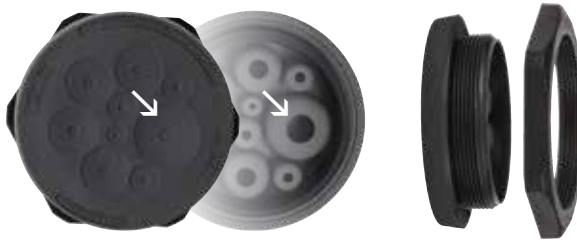
- ▶ For several number of non-terminated cables
- ▶ High retaining force thanks to the double membrane
- ▶ Cost efficient solution
- ▶ High IP grade (IP65-66-68)
- ▶ Metric sized



The round metric DES-PDM M is an innovative alternative to standard cable glands on electrical, electronic and telecommunication cabinets and equipment.

The cable is pushed through the front membrane, whilst the second membrane increases the strain relief and liquid resistance.

Double membrane



Technical data

Material: TPE

Flammability: self-extinguishing acc. to UL94-V0

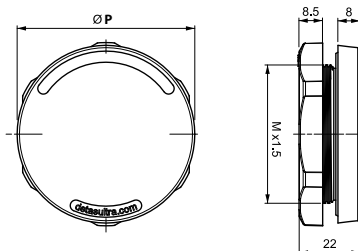
Temperature: -40°C... +105°C (static)

Features: halogens and silicones free

Related products

Hydraulic punch driver HY360



Dimensions [mm]

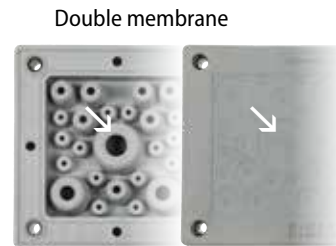




Cable entry plate - large frame

- ▶ For up to 72 non-terminated cables
- ▶ High retaining force thanks to the double membrane
- ▶ Cost efficient solution
- ▶ High IP grade (IP65-66)

Model	Code	Cable nr. - Ø cables min/max [mm]	Dimensions [mm]		Pcs /pack
			Cut-out	Plate	
 DES-PDM KN 72G	1732040072	42 - 2.8 / 6.5 21 - 4.6 / 10.2 6 - 8.6 / 16.2 3 - 14.5 / 22	192 x 62	221 x 90	1
 DES-PDM KN 72B	1732041073	42 - 2.8 / 6.5 21 - 4.6 / 10.2 6 - 8.6 / 16.2 3 - 14.5 / 22	192 x 62	221 x 90	1



The DES-PDM KN is an innovative alternative to standard cable glands on electrical, electronic and telecommunication cabinets and equipment.

The cable is pushed through the front membrane, whilst the second membrane increases the strain relief and liquid resistance.

2

Technical data

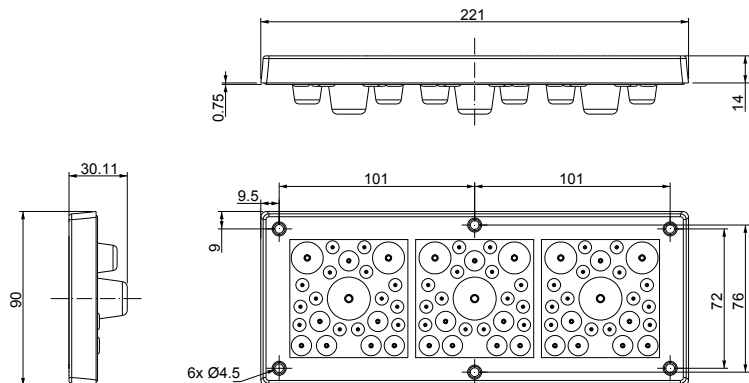
Material: TPE

Flammability: self-extinguishing acc. to UL94-V0

Temperature: -40°C... +105°C (static)

Features: halogens and silicones free

Dimensions [mm]





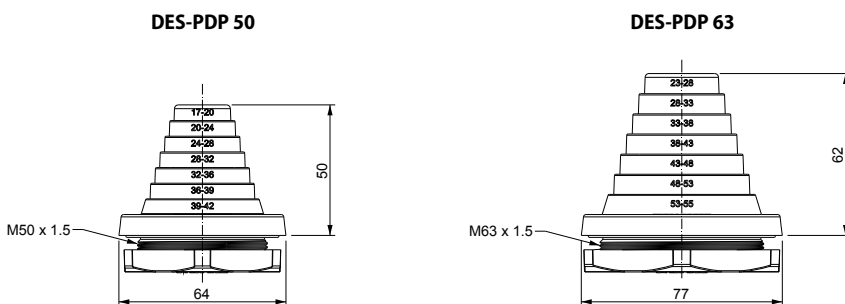
Model	Code	Cable nr. - Ø cables min/max [mm]	Dimensions [mm]		Pcs /pack
			Cut-out	Plate	
DES-PDP 50G	1732050050	1 - 17 / 42	M50	50.5	10
DES-PDP 63G	1732050063	1 - 23 / 55	M63	63.5	
DES-PDP 50B	1732052050	1 - 17 / 42	M50	50.5	10
DES-PDP 63B	1732052063	1 - 23 / 55	M63	63.5	

Round base, pyramid-shaped cable entry plate with locknut

- ▶ For diameters from 17 to 55 mm
- ▶ Reinforcing base plate
- ▶ Cost efficient solution
- ▶ UL94V0 for grey and black



Dimensions [mm]



The DES-PDP is available in M50 and M63 sizes, enabling non-terminated cables from 17 to 55mm in diameter to pass through the wall of the electrical cabinet.

The reinforcing base plate increases the stability where large cables are used.

Technical data

Material: TPE

Flammability: self-extinguishing acc. to UL94-V0

Temperature: -40°C... +105°C (static)

Features: halogens and silicones free

Related products

Hydraulic punch driver HY360



Plugs for cable entry plates

► Plugs for holes from 4.5 to 19 mm in diameter



Model	Code	Ø Hole [mm]	Dimensions [mm]			Pcs /pack
			A	B	C	
IFP 5G	1732070002	4,5 - 8,0	5,5	12,5	10,0	50
IFP 9G	1732070004	8,0 - 12,0	9,5	16,0	13,5	
IFP 12G	1732070006	12,0 - 16,0	12,0	16,5	16,5	
IFP 16G	1732070008	16,0 - 19,0	16,0	19,5	20,5	
IFP 20G	1732070010	20,0 - 22,5	20,0	21,5	24,5	
IFP 5B	1732070012	4,5 - 8,0	5,5	12,5	10,0	
IFP 9B	1732070014	8,0 - 12,0	9,5	16,0	13,5	
IFP 12B	1732070016	12,0 - 16,0	12,0	16,5	16,5	
IFP 16B	1732070018	16,0 - 19,0	16,0	19,5	20,5	

The IFP inserts fit into the holes of the cable gland plates to re-cover them after opening. They range from 4.5 to 19 mm in diameter.

Technical data

Material: PA6

Flammability: UL94-HB

Temperature: -30°C... +100°C (static)

Features: halogens and silicones free

Related products

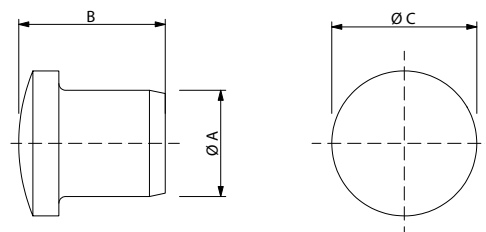
DES-PM

DES-PDM

SPG M



Dimensions [mm]



Group 3

Strain relief modules

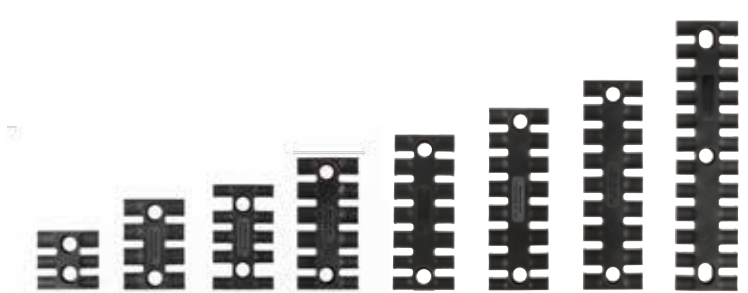
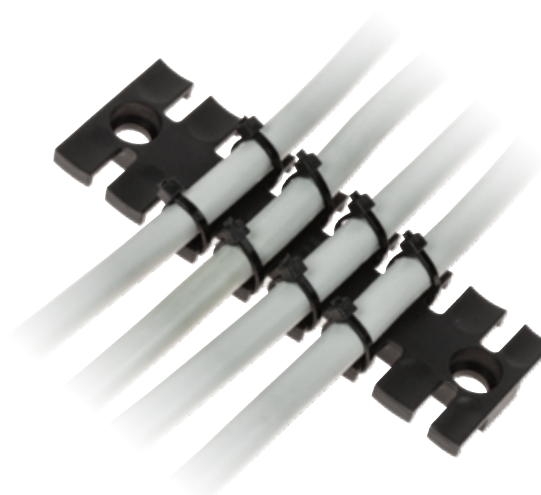




Strain relief modules - screw fixing

- ▶ Modules also available with aluminum or brass bushings
- ▶ Strain relief acc. to EN 62444
- ▶ Easy to install
- ▶ Cost efficient solution
- ▶ UL94V0

Modules without bushings					
Model	Code	Dimensions [mm]		Teeth	Pcs /pack
		L1	L2		
AP 39	1733020003	38.5	19.5	3	10
AP 60	1733020004	59.5	43.5	4	
AP 70	1733020005	69.1	43.5	5	
AP 87	1733020006	86.5	68	6	
AP 103	1733020007	102.5	84	7	
AP 121	1733020008	121	102.5	8	
AP 140	1733020009	139.5	121	9	
AP 180	1733020010	180	157	12	



The AP modules are used in electrical switchboards and equipment keeping cables tidy whilst providing strain relief according to EN 62444.

The cables can be fixed with standard plastic ties or reusable velcro ties.

Spacers are available for multi-tier applications.

3

Technical data

Material: Polyamide (PA)

Flammability: self-extinguishing acc. to UL94-V0

Temperature: -40°C... +140°C (static)

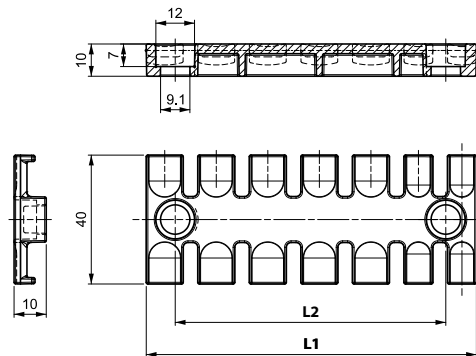
Features: halogens and silicones free

Related products

DZ spacers

FV velcro cable ties

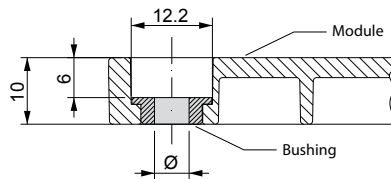
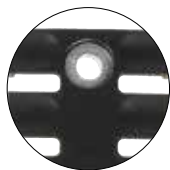
Dimensions [mm]



--	--	--	--	--	--	--	--	--	--



Modules with aluminum bushings			Modules with brass bushings			Dimensions [mm]		Teeth	Pcs /pack
Model	Code	Bushing	Model	Code	Bushing	L1	L2		
AP 39 BA4	1733021403	Ø4	AP 39 BR4	1733022403	Ø4	38.5	19.5	3	10
AP 60 BA4	1733021404		AP 60 BR4	1733022404		59.5	43.5	4	
AP 70 BA4	1733021405		AP 70 BR4	1733022405		69.1	43.5	5	
AP 87 BA4	1733021406		AP 87 BR4	1733022406		86.5	68	6	
AP 103 BA4	1733021407		AP 103 BR4	1733022407		102.5	84	7	
AP 121 BA4	1733021408		AP 121 BR4	1733022408		121	102.5	8	
AP 140 BA4	1733021409		AP 140 BR4	1733022409		139.5	121	9	
AP 180 BA4	1733021410		AP 180 BR4	1733022410		180	157	12	
AP 39 BA5	1733021503	Ø5	AP 39 BR5	1733022503	Ø5	38.5	19.5	3	10
AP 60 BA5	1733021504		AP 60 BR5	1733022504		59.5	43.5	4	
AP 70 BA5	1733021505		AP 70 BR5	1733022505		69.1	43.5	5	
AP 87 BA5	1733021506		AP 87 BR5	1733022506		86.5	68	6	
AP 103 BA5	1733021507		AP 103 BR5	1733022507		102.5	84	7	
AP 121 BA5	1733021508		AP 121 BR5	1733022508		121	102.5	8	
AP 140 BA5	1733021509		AP 140 BR5	1733022509		139.5	121	9	
AP 180 BA5	1733021510		AP 180 BR5	1733022510		180	157	12	
AP 39 BA6	1733021603	Ø6	AP 39 BR6	1733022603	Ø6	38.5	19.5	3	10
AP 60 BA6	1733021604		AP 60 BR6	1733022604		59.5	43.5	4	
AP 70 BA6	1733021605		AP 70 BR6	1733022605		69.1	43.5	5	
AP 87 BA6	1733021606		AP 87 BR6	1733022606		86.5	68	6	
AP 103 BA6	1733021607		AP 103 BR6	1733022607		102.5	84	7	
AP 121 BA6	1733021608		AP 121 BR6	1733022608		121	102.5	8	
AP 140 BA6	1733021609		AP 140 BR6	1733022609		139.5	121	9	
AP 180 BA6	1733021610		AP 180 BR6	1733022610		180	157	12	





Strain relief modules for DIN and Omega rails

- ▶ Strain relief according to EN 62444
- ▶ Easy to install
- ▶ Cost efficient solution
- ▶ UL94V0

Model	Code	Dimensions [mm]		Teeth	Pcs /pack
		L1	L2		
APD 39	1733000003	38.5	28.3	3	10
APD 80	1733000006	79.5	68	6	
APD 140	1733000009	139.5	128.1	9	
APD 180	1733000012	180	157	12	



APD 180



APD 39-80-140

The APD modules are used in electrical cabinets to organise the cables whilst providing strain relief according to EN 62444.

The cables can be fixed with standard plastic ties or reusable velcro ties.

Technical data

Material: Polyamide (PA)

Flammability: self-extinguishing acc. to UL94-V0

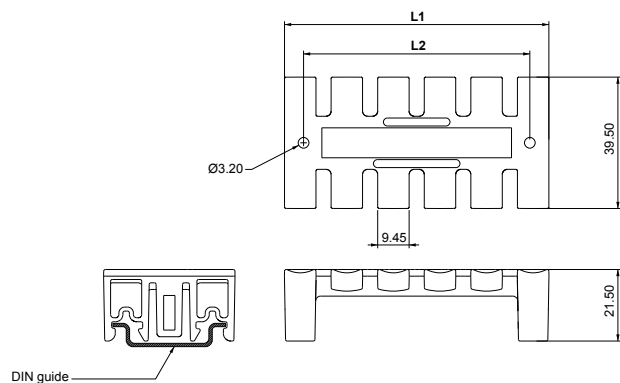
Temperature: -40°C... +140°C (static)

Features: halogens and silicones free



Related products

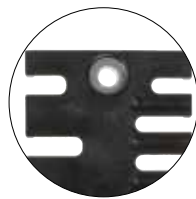
FV velcro cable ties

Dimensions [mm]

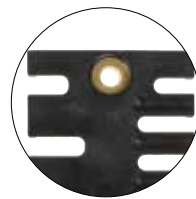




Model	Code	Bushing	Dimensions [mm]		Teeth	Pcs /pack
			L1	L2		
AP-DP 63	1733010047	-	63.4	42	4-7	10
AP-DP 95	1733010611	-	95	74.5	6-11	
AP-DP 119	1733010713	-	119	108	7-13	
AP-DP 63-BA4	1733011447	Aluminum  Ø4	63.4	42	4-7	10
AP-DP 95-BA4	1733011411		95	74.5	6-11	
AP-DP 119-BA4	1733011413		119	108	7-13	
AP-DP 63-BR4	1733012447	Brass  Ø4	63.4	42	4-7	10
AP-DP 95-BR4	1733012411		95	74.5	6-11	
AP-DP 119-BR4	1733012413		119	108	7-13	



Aluminum bushing



Brass bushing

Strain relief modules - double comb for screw fixing

- ▶ Modules also available with aluminum or brass bushings
- ▶ Strain relief acc. to EN 62444
- ▶ Easy to install
- ▶ Cost efficient solution
- ▶ UL94V0



The AP-DP modules are used in electrical switchboards and equipment keeping cables of various sizes tidy whilst providing strain relief according to EN 62444.

The cables can be fixed with standard plastic ties or reusable Velcro ties.

Spacers are available for multi-tier applications.

Technical data

Material: Polyamide (PA)

Flammability: self-extinguishing acc. to UL94-V0

Temperature: -40°C... +140°C (static)

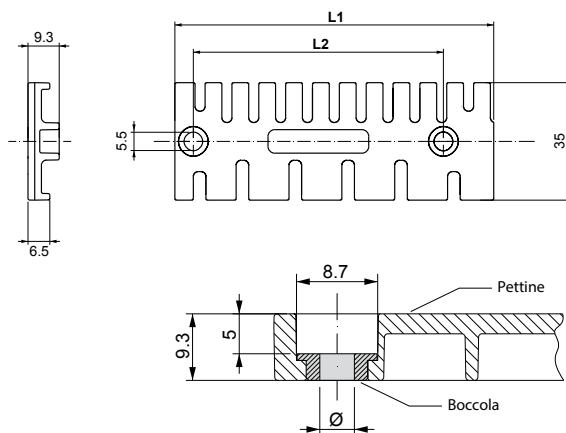
Features: halogens and silicones free

Related products

DZ spacers

FV velcro cable ties

Dimensions [mm]





Spacers

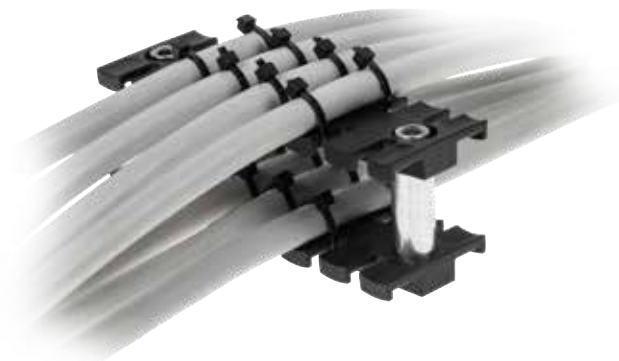
► Increase in cable bundle density



DZ 30



DZ 32



The spacers are used to build a multi-tier system in the case of a large number of cables.

Technical data

Material: Aluminum

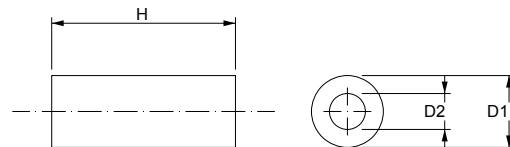
Related products

AP strain relief modules

AP-DP double-comb strain relief modules

Model	Code	Suitable for	H [mm]	D1 [mm]	D2 [mm]	Pcs /pack
DZ 30	1733020011	AP-DP	30	7	5.2	10
DZ 32	1733020012	AP	32	12	6.2	10

Dimensions [mm]

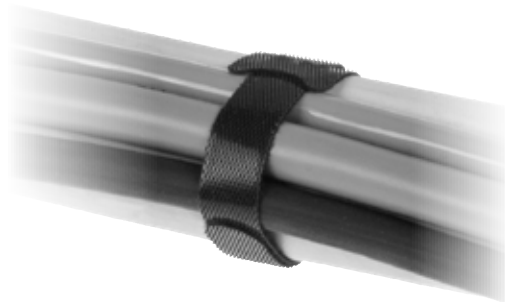
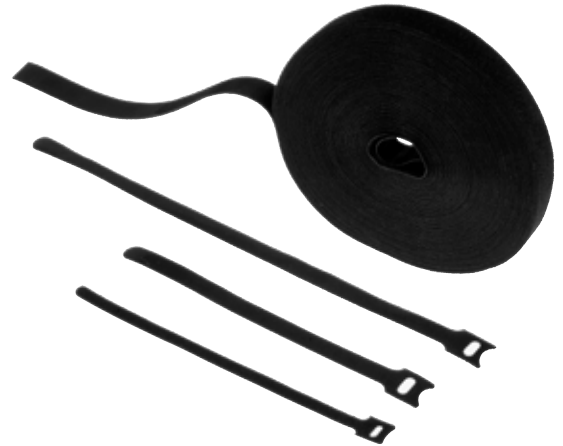




Model	Code	Dimensions [mm]		Pcs /pack
		L	W	
FV1	1733020020	200	10	100
FV2	1733020025	200	13	100
FV3	1733020030	300	17	100
FVB1	1733020035	2500	10	1
FVB2	1733020040	2500	13	1
FVB3	1733020045	2500	17	1

Hook and loop cable ties

- ▶ The hook and loop cable ties can be reused
- ▶ Adaptable to the shape of the cable bundles
- ▶ Particularly effective in the event of vibration
- ▶ Also available in reels



Hook and loop cable ties allow a large number of cables to be bundled together. They prevent damage in the event of vibration and can be reused many times.

They are available in 3 different types or in 25 m reels.

Technical data

Material: Polyamide (PA)

Flammability: self-extinguishing acc. to UL94-V2

Temperature: -30°C... +80°C (static)

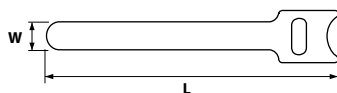
Related products

AP strain relief modules

AP-DP double-comb strain relief modules

APD strain relief modules for DIN rails

Dimensions [mm]



Group 4

EMC shielding





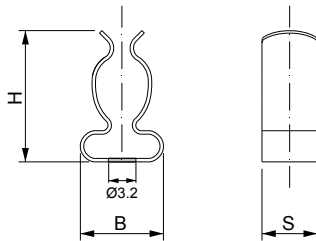
Model	Code	Clamping range [mm]	Dimensions [mm]			Pcs /pack
			B	H	S	
MSS 1.5-3	1734010010	1.5 - 3	11	12	8	50
MSS 3-6	1734010020	3 - 6	11	14	8	
MSS 6-8	1734010030	6 - 8	11	17	8	
MSS 8-11	1734010040	8 - 11	12	19	8	
MSS 11-17	1734010050	11 - 17	13,5	25	8	
MSS 17-22	1734010060	17 - 22	22	34	8	
MSS 22-30	1734010070	22 - 30	22	40	12	
MSS 30-37	1734010080	30 - 37	40	54	12	
MSS 38-48	1734010090	38 - 48	40	64	12	

Shield clamps without foot

- ▶ Suitable for a wide range of cables from 1.5 to 48 mm
- ▶ Ideal adherence to cable shielding
- ▶ Possibility to mount the springs easily, no need to use tools
- ▶ Constant pressure of the spring on the cable sheath without having to run tests and checks
- ▶ High vibration resistance
- ▶ Ideal shape and dimensions make a high cable density easily manageable



Dimensions [mm]



MSS shield clamps enable the cable shield to be grounded easily and effectively. They secure the anti-tear function on the cable by fixing it with a tie.

MSS shield clamps can be fixed with screws or rivets Ø3 mm.

Technical data

Material: spring steel, zinc plated

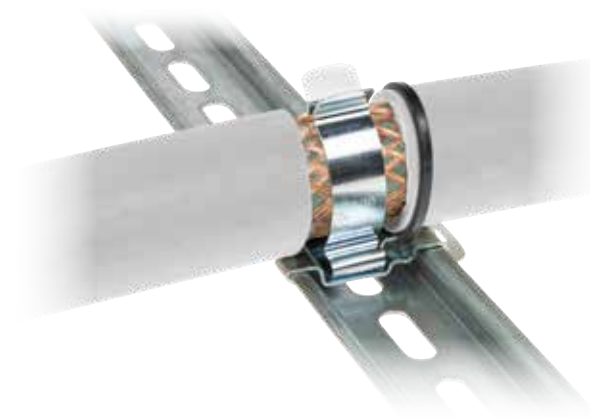
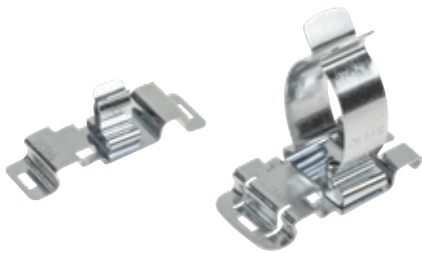




Shield clamps for DIN and Omega rails

- ▶ Suitable for a wide range of cables from 1.5 to 48 mm
- ▶ Snap-in assembly, no need to use tools
- ▶ Available with a coupling base in two widths: 14 and 22 mm
- ▶ High vibration resistance
- ▶ Possibility of obtaining shield grounding and anti-tear functions with a single device
- ▶ Ideal adherence to cable shielding
- ▶ Constant pressure of the spring on the cable sheath without having to run tests and checks

Model	Code	Clamping range [mm]	Dimensions [mm]			Pcs /pack
			B	H	S	
MSD 1.5-3	1734020010	1.5 - 3	11	12	14	50
MSD 3-6	1734020020	3 - 6	11	14	14	
MSD 6-8	1734020030	6 - 8	11	17	14	
MSD 8-11	1734020040	8 - 11	12	19	14	
MSD 11-17	1734020050	11 - 17	13,5	25	14	
MSD 17-22	1734020060	17 - 22	22	34	14	
MSD 22-30	1734020070	22 - 30	22	40	14	
MSD 30-37	1734020080	30 - 37	40	54	22	
MSD 38-48	1734020090	38 - 48	40	64	22	



The MSD shield clamps enable the cable shield to be grounded easily and effectively. They secure the anti-tear function on the cable by fixing it with a tie.

The anti-tear function complies with EN 62444 standards.

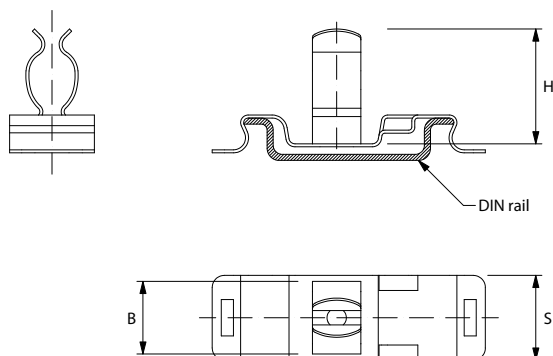
The MSD shield clamps can be used on 35 mm DIN/Omega rails.

4

Technical data

Material: spring steel, zinc plated

Dimensions [mm]





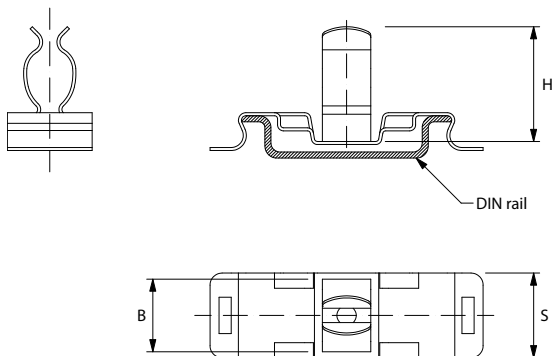
Model	Code	Clamping range [mm]	Dimensions [mm]			Pcs /pack
			B	H	S	
MSD2 1.5-3	1734021010	1.5 - 3	11	12	14	50
MSD2 3-6	1734021020	3 - 6	11	14	14	
MSD2 6-8	1734021030	6 - 8	11	17	14	
MSD2 8-11	1734021040	8 - 11	12	19	14	
MSD2 11-17	1734021050	11 - 17	13,5	25	14	
MSD2 17-22	1734021060	17 - 22	22	34	14	

Shield clamps for DIN and Omega rails

- ▶ Suitable for a wide range of cables from 1.5 to 48 mm
- ▶ Snap-in assembly, no need to use tools
- ▶ Double ties fixing
- ▶ High vibration resistance
- ▶ Possibility of obtaining shield grounding and anti-tear functions with a single device
- ▶ Ideal adherence to cable shielding
- ▶ Constant pressure of the spring on the cable sheath without having to run tests and checks



Dimensions [mm]



The MSD 2 shield clamps enable the cable shield to be grounded easily and effectively. They secure the anti-tear function on the cable by fixing it with two ties.

The anti-tear function complies with EN 62444 standards.

The MSD 2 shield clamps can be used on 35 mm DIN/Omega rails.

Technical data

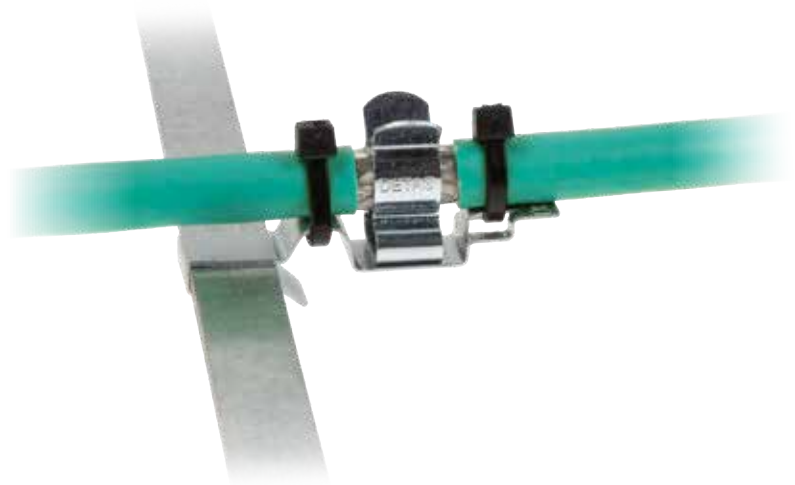
Material: spring steel, zinc plated





Shield clamps for 10 x 3 mm bar

- ▶ Suitable for a range of cables from 1.5 to 17 mm
- ▶ Ideal adherence to cable shielding
- ▶ Easy assembly, no need to use tools
- ▶ Constant pressure of the spring on the cable sheath without having to run tests and checks
- ▶ High vibration resistance
- ▶ Ideal shape and dimensions make a high cable density easily manageable



Model	Code	Clamping range [mm]	Dimensions [mm]			Pcs /pack
			B	H	S	
MSB 1.5-3	1734040010	1.5 - 3	11	12	8	50
MSB 3-6	1734040020	3 - 6	11	14	8	
MSB 6-8	1734040030	6 - 8	11	17	8	
MSB 8-11	1734040040	8 - 11	12	19	8	
MSB 11-17	1734040050	11 - 17	13,5	25	8	

MSB shield clamps enable the cable shield to be grounded easily and effectively. They secure the anti-tear function on the cable by fixing it with a tie.

Snap-in assembly on the 10 × 3 mm bar.

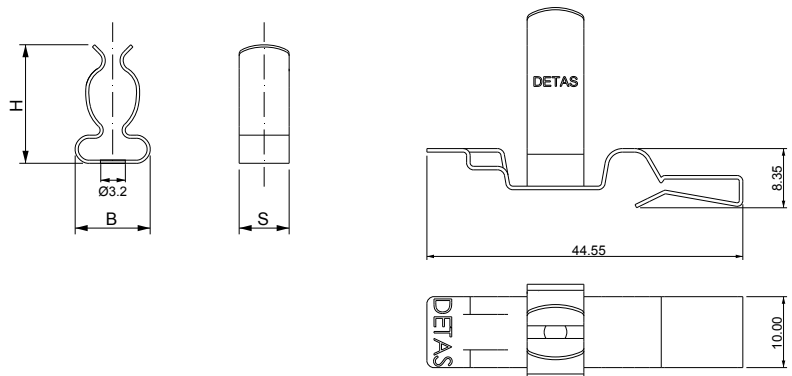
The anti-tear function complies with EN 62444 standards.

Technical data

Material: spring steel, zinc plated

4

Dimensions [mm]





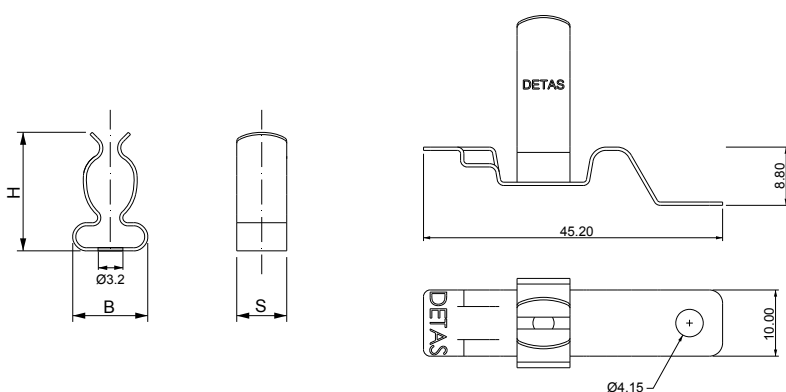
Model	Code	Clamping range [mm]	Dimensions [mm]			Pcs /pack
			B	H	S	
MSA 1.5-3	1734030010	1.5 - 3	11	12	8	50
MSA 3-6	1734030020	3 - 6	11	14	8	
MSA 6-8	1734030030	6 - 8	11	17	8	
MSA 8-11	1734030040	8 - 11	12	19	8	
MSA 11-17	1734030050	11 - 17	13,5	25	8	

Shield clamps with screw fixing

- ▶ Suitable for a range of cables from 1.5 to 17 mm
- ▶ Ideal adherence to cable shielding
- ▶ Easy assembly, no need to use tools
- ▶ Constant pressure of the spring on the cable sheath without having to run tests and checks
- ▶ High vibration resistance
- ▶ Ideal shape and dimensions make a high cable density easily manageable



Dimensions [mm]



MSA shield clamps enable the cable shield to be grounded easily and effectively. They secure the anti-tear function on the cable by fixing it with a tie.

The shield clamp can be fixed with a M4 screw.

The anti-tear function complies with EN 62444 standards.

Technical data

Material: spring steel, zinc plated





Shield clamps with screw fixing

- ▶ Suitable for a range of cables from 1.5 to 17 mm
- ▶ Ideal adherence to cable shielding
- ▶ Easy assembly, no need to use tools
- ▶ Constant pressure of the spring on the cable sheath without having to run tests and checks
- ▶ High vibration resistance
- ▶ Ideal shape and dimensions make a high cable density easily manageable



Model	Code	Clamping range [mm]	Dimensions [mm]			Pcs /pack
			B	H	S	
MSE 1.5-3	1734050010	1.5 - 3	11	12	8	50
MSE 3-6	1734050020	3 - 6	11	14	8	
MSE 6-8	1734050030	6 - 8	11	17	8	
MSE 8-11	1734050040	8 - 11	12	19	8	
MSE 11-17	1734050050	11 - 17	13,5	25	8	

MSE shield clamps enable the cable shield to be grounded easily and effectively. They secure the anti-tear function on the cable by fixing it with a tie.

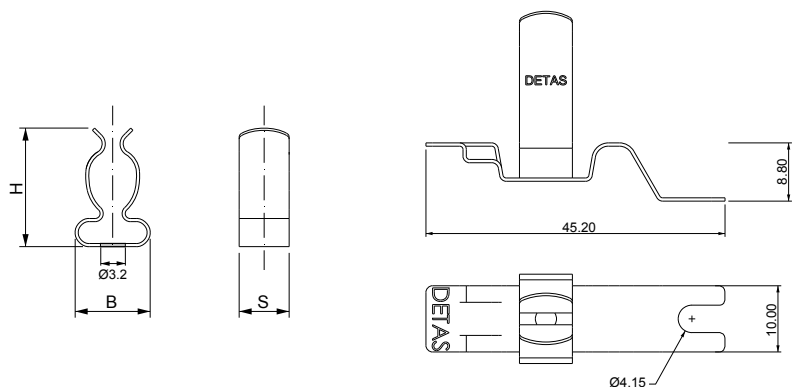
The shield clamp can be fixed with a M4 screw.

The anti-tear function complies with EN 62444 standards.

Technical data

Material: spring steel, zinc plated

Dimensions [mm]

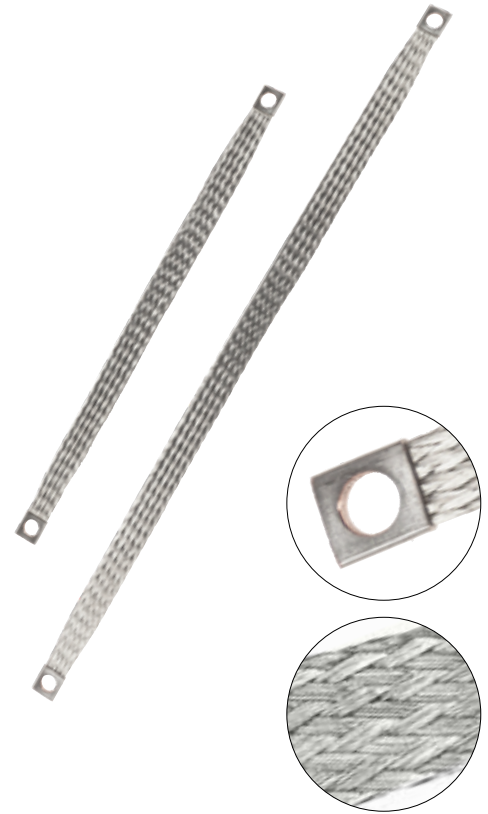




Model	Code	Section [mm ²]	Dimensions [mm]		
			L	D	W
CTX-6/100/6	1734080000	6	100	6	10
CTX-6/150/6	1734080005		150	6	
CTX-6/200/6	1734080010		200	6	
CTX-6/250/6	1734080015		250	6	
CTX-6/300/6	1734080020		300	6	
CTX-6/400/6	1734080025		400	6	
CTX-6/500/6	1734080030		500	6	
CTX-10/100/6	1734080035	10	100	6	15
CTX-10/100/8	1734080040		100	8	
CTX-10/150/8	1734080045		150	8	
CTX-10/200/6	1734080050		200	6	
CTX-10/200/8	1734080055		200	8	
CTX-10/250/6	1734080060		250	6	
CTX-10/300/6	1734080065		300	6	
CTX-10/300/8	1734080070		300	8	
CTX-10/400/6	1734080075		400	6	
CTX-10/400/8	1734080080		400	8	
CTX-10/500/6	1734080085		500	6	
CTX-16/100/6	1734080090	16	100	6	19
CTX-16/100/8	1734080095		100	8	
CTX-16/150/6	1734080100		150	6	
CTX-16/150/8	1734080105		150	8	
CTX-16/200/6	1734080110		200	6	
CTX-16/200/8	1734080115		200	8	
CTX-16/250/8	1734080120		250	8	
CTX-16/300/6	1734080125		300	6	
CTX-16/300/8	1734080130		300	8	
CTX-16/350/8	1734080135		350	8	
CTX-16/400/8	1734080140		400	8	
CTX-16/500/8	1734080145		500	8	
CTX-16/600/8	1734080150		600	8	
CTX-25/100/10	1734080155		25	100	
CTX-25/150/10	1734080160	150		10	
CTX-25/200/8	1734080165	200		8	
CTX-25/200/10	1734080170	200		10	
CTX-25/250/8	1734080175	250		8	
CTX-25/300/8	1734080180	300		8	
CTX-25/300/10	1734080185	300		10	
CTX-25/350/10	1734080190	350		10	
CTX-25/400/8	1734080195	400		8	
CTX-25/500/8	1734080200	500		8	
CTX-25/600/8	1734080205	600		8	

Earthing straps

- ▶ Sections from 6 to 25 mm² available
- ▶ Custom solutions
- ▶ High conductivity



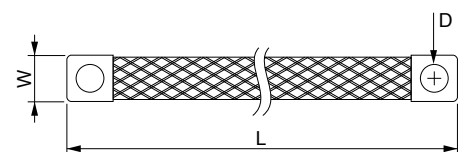
The CTX flexible earthing straps are made of tinned copper braided wires.

Pure Cu-ETP - ASTM C11000 copper enables an excellent ground connection.

Technical data

Material: tinned copper

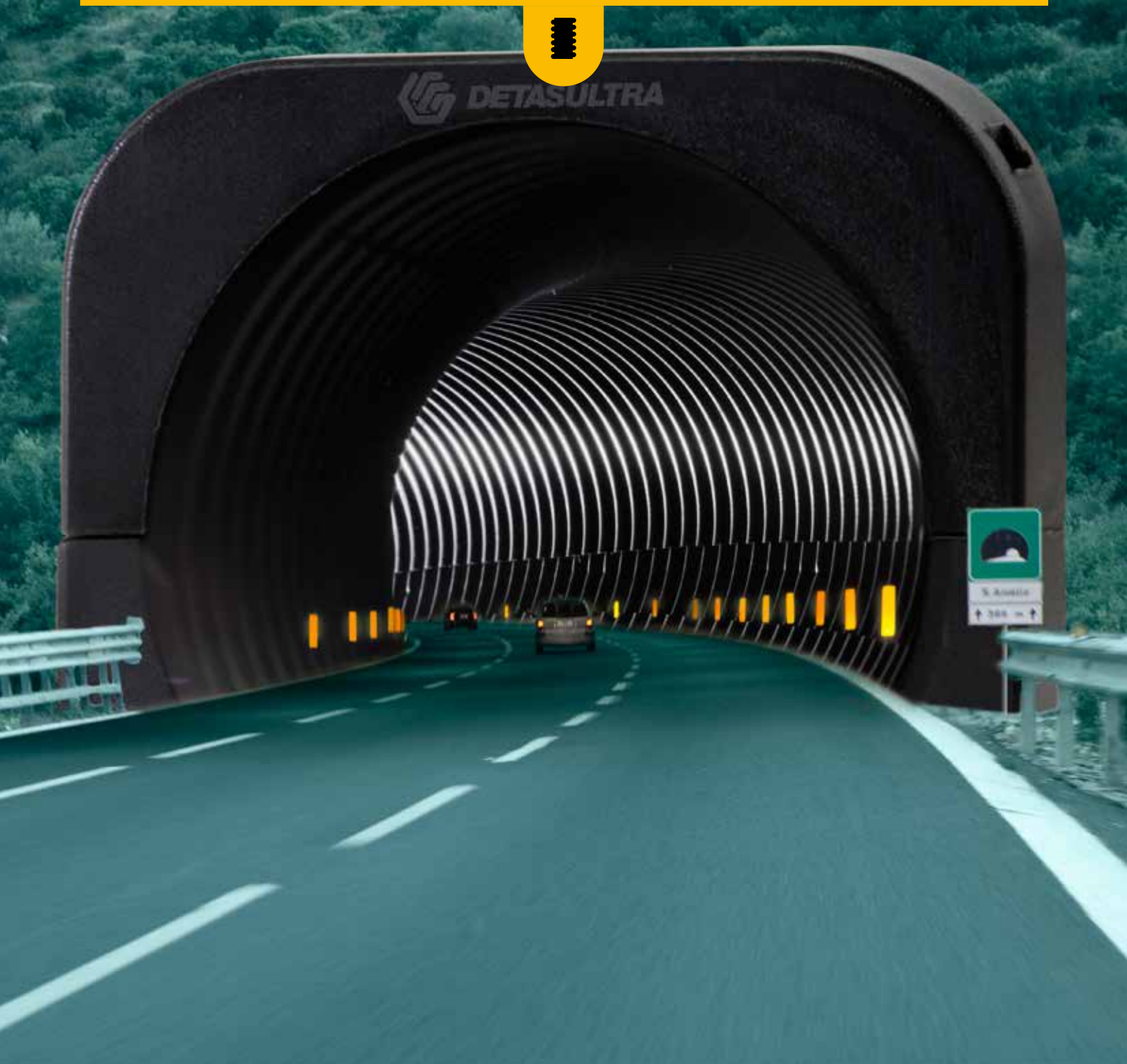
Dimensions [mm]



RoHS COMPLIANT	CAD	Cu +Sn							
----------------	-----	--------	--	--	--	--	--	--	--

Group 5

Cable protection conduits





Model	Code	Tube [mm]		Clip FW [mm]	Pcs /pack
		Ø external	Ø internal		
FL 10	1735010010	10	6	10	multiple of 5 m
FL 14	1735010014	14	9	13	
FL 16	1735010016	16	11	15.8	
FL 20	1735010020	20	13	18.5	
FL 22	1735010022	22	16	21.2	
FL 25	1735010025	25	18	25	
FL 32	1735010032	32	23	28.5	
FL 35	1735010035	35	26	34.5	
FL 42	1735010042	42	30	42.5	
FL 54	1735010054	54	42	54.5	
FL 80	1735010080	80	66	--	

Splittable corrugated tubes

- ▶ Wide range of diameters (from 10 to 80 mm) available
- ▶ Easy insertion of the cables
- ▶ Easy opening in case of maintenance



FL splittable corrugated tubes are suitable for the passage of preassembled cables.

The double tube enables a high protection throughout the length of the cable and make them ideal for the use in extreme conditions.

Easy fixing with clips.

Technical data

Material: Polyamide (PA)

Flammability: self-extinguishing acc. to UL94-V0

Temperature: -40°C... +110°C (static)

Features: halogens and silicones free

Related products

FW Clips for corrugated tubes





Clips for corrugated tubes

- ▶ Easy assembly
- ▶ Easy fixing of the tube, no need to use tools



Model	Code	Suitable for	Pcs /pack
FW 10	1735030010	FL 10	50
FW 13	1735030013	FL 14	
FW 15	1735030015	FL 16	
FW 18	1735030018	FL 20	
FW 21	1735030021	FL 22	
FW 25	1735030025	FL 25	
FW 28	1735030028	FL 32	
FW 34	1735030034	FL 35	
FW 42	1735030042	FL 42	
FW 54	1735030054	FL 54	

FW clips are suitable for the fixing of corrugated tubes.

The cover, by snap-in fixing, makes the tube stabler also under mechanical stresses.

Technical data

Material: Polyamide PA

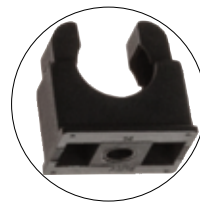
Flammability: self-extinguishing acc. to UL94-V0

Temperature: -40°C... +110°C (static)

Features: halogens and silicones free

Related products

FL Splittable corrugated tubes



Group 6

Accessories for switchboard





Hydraulic punch driver for round and rectangular cut-outs

- ▶ Hand punch driver with rotating 360° head
- ▶ Thanks to its low weight, the punch driver can be used by one person only
- ▶ The punch driver produces a hydraulic power of 120 kN and can be used for stainless steel walls with a maximum thickness of 3.5 mm
- ▶ All the available punches are compatible with our products



Technical data

Material: Aluminum alloy, steel punches

Hydraulic power: 120 kN

Weight: 2.5 kg

Model	Code	Dimensions [mm]	Pcs /pack
Punch driver HY360	1736010100		1
Rectangular punch for DES 24	1736010024	108 x 39	1
Rectangular punch for DES 16	1736010016	86 x 39	
Rectangular punch for DES 10	1736010010	63 x 39	
Rectangular punch for DES Q	1736010008	40 x 39	
Rectangular punch for DES L2	1736010002	40 x 22	
Rectangular punch for DES L3	1736010003	63 x 22	
Rectangular punch for DES L4	1736010004	86 x 22	
Rectangular punch for DES L5	1736010005	108 x 22	
Rectangular punch for DES-PM 24 and DES-PDM 24	1736010124	112 x 36	
Rectangular punch for DES-PDM Q	1736010108	46 x 46	
Round punch M22	1736010022	Ø 22.5	1
Round punch M25	1736010025	Ø 25.5	
Round punch M32	1736010032	Ø 32.5	
Round punch M40	1736010040	Ø 40.5	
Round punch M50	1736010050	Ø 50.5	
Round punch M63	1736010063	Ø 63.5	



Model	Code	Length [mm]	Pcs /pack
SQZ 600	1736030006	600	1
SQZ 800	1736030008	800	
SQZ 1000	1736030010	1000	
SQZ 1200	1736030012	1200	

Brushes for Rittal cabinets

- ▶ Snap-in assembly
- ▶ Compatible with Rittal cabinet
- ▶ The brushes allow the passage of a high number of cables



The SQZ brushes are compatible with the main models of Rittal cabinets.

Cables can come out throughout the length of the bottom panel.

Easy snap-in assembly.

Technical data

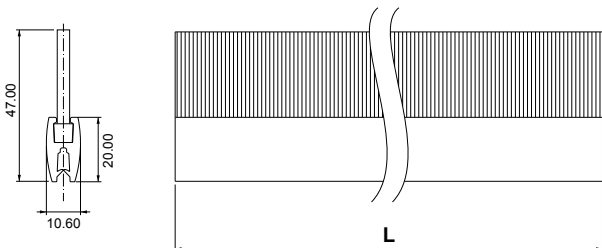
Material: Polyamide (PA)

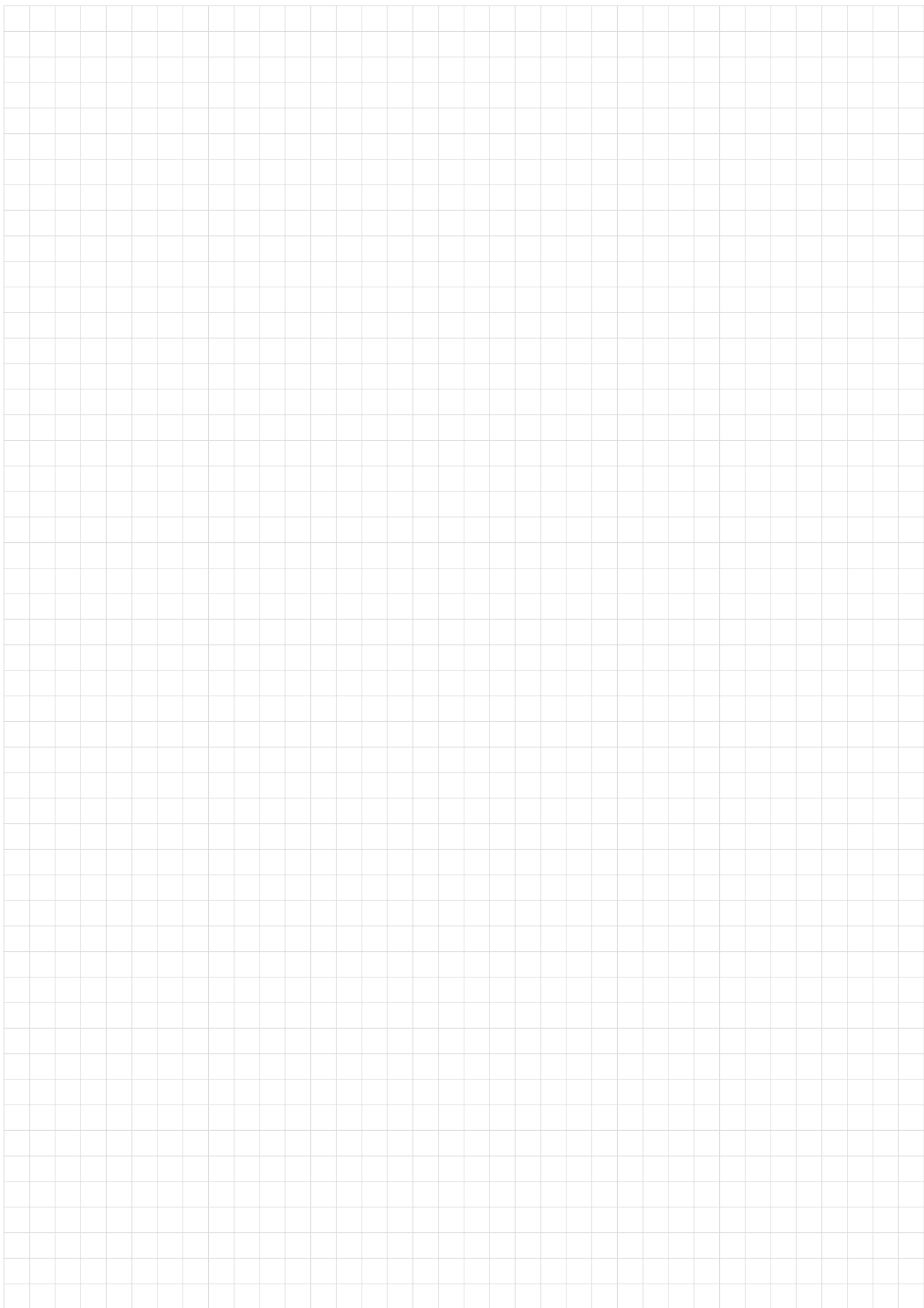
Flammability: self-extinguishing acc. to UL94-V0

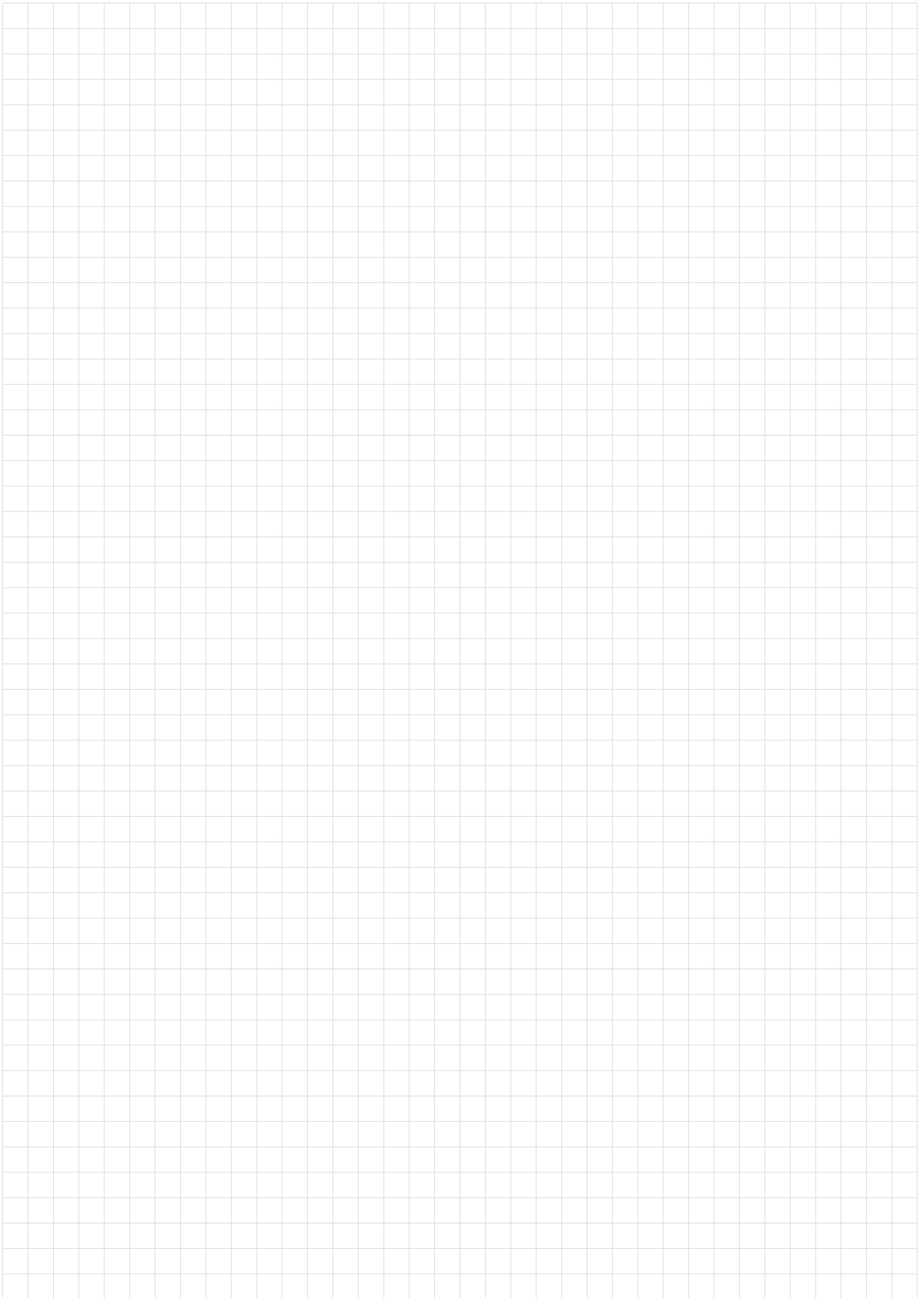
Temperature: -40°C... +110°C (static)

Features: halogens and silicones free

Dimensions [mm]









www.detasultra.com



ISO9001 / ISO14001 certified company