

# CV/RB4-10

optical fibers

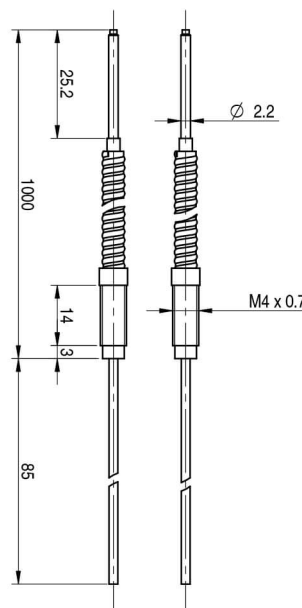


Micro Detectors

Italian Sensors Technology



Indicative image



## Detection properties

Distance with SSF	90 mm
Distance with FS1	90 mm
Distance with FX3	600 mm
Distance with FX4	900 mm
Distance with F1R	410 mm

## Application

Function Principle	Through-beam P/R
Description	Glass fibres up to 200°C

## Mechanical data

Operating temperature	-40°C....+200°C (posa fissa)
1	1
1 mm	1 mm
M4 con sleeve	M4 with sleeve
vetro, ETM, inox	glass, ETM, inox
ottone nichelato	nickel-plated brass

## Test/Approvals

**M.D. Micro Detectors S.p.A.**

Strada S. Caterina, 235

41122 Modena (MO)

Tel. 059 420411

Fax 059 253973

E-mail [info@microdetectors.com](mailto:info@microdetectors.com)

**date of printing**

07/05/2020 10:28:41