

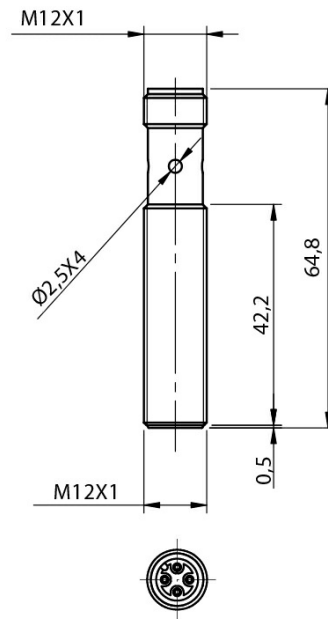
# AM1/BN-1H

cylindrical inductive



Micro Detectors

Italian Sensors Technology



## Detection properties

|                          |                                                                     |
|--------------------------|---------------------------------------------------------------------|
| Nominal sensing distance | 2mm                                                                 |
| Operating distance       | 0...1,6mm                                                           |
| Standard target          | 12x12mm FE360                                                       |
| Correction Factor        | copper: 0,22 / aluminum: 0,31 / brass: 0,41 / stainless steel: 0,77 |
| Thermal drift of Sr      | < 10%                                                               |
| Repeat Accuracy          | 5% (UB 24V Ta=23°C ±5°C)                                            |
| Hysteresis               | 1 ... 20%                                                           |

## Outputs

|                     |         |
|---------------------|---------|
| Output type         | NPN     |
| Output Function     | NO + NC |
| Switching frequency | 2kHz    |

## Electrical data

|                                    |                         |
|------------------------------------|-------------------------|
| Operating Voltage                  | 10...30Vdc              |
| No-Load supply current             | ≤ 10mA                  |
| Load current                       | ≤ 200mA                 |
| Leakage current                    | ≤ 10μA                  |
| Output voltage drop                | ≤ 1,8V @200mA           |
| Max ripple content                 | ≤10%                    |
| LED indicators                     | Yellow LED output state |
| Time delay before availability     | ≤ 50ms                  |
| Short-circuit protection           | Yes                     |
| Reverse Polarity Protection        | Yes                     |
| Protection against inductive loads | Yes                     |

## Mechanical data

|                       |                      |
|-----------------------|----------------------|
| Mounting              | Shielded             |
| Dimensions            | M12 x 1 / L = 64,8mm |
| Weight                | 30g                  |
| Housing Material      | Nickel-plated brass  |
| Connections           | M12 plug             |
| Active Head Material  | PBT                  |
| Tightening torque     | 10Nm                 |
| Operating temperature | -25°C...+70°C        |
| Diameter/Dimension    | M12                  |

## Test/Approvals

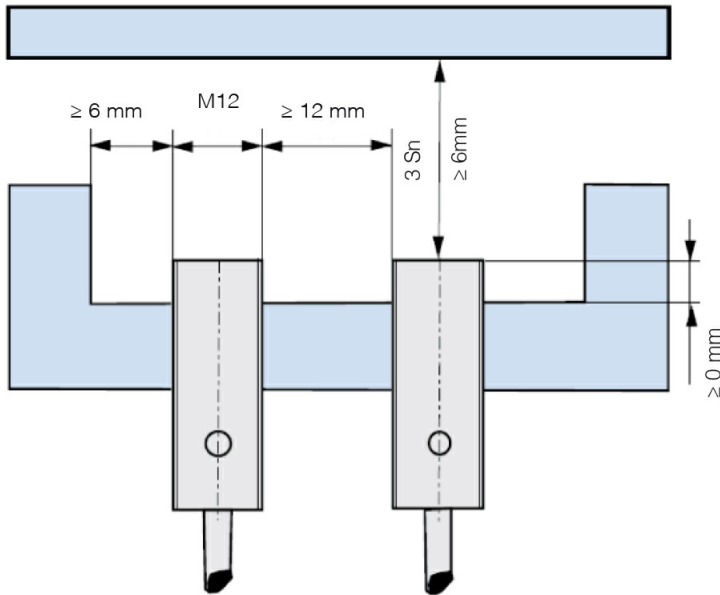
|                       |                                                |
|-----------------------|------------------------------------------------|
| Approvals             | CE UR                                          |
| EMC compatibility     | IEC 60947-5-2                                  |
| Shocks and vibrations | Vibration IEC 60068-2-6 / Shock IEC 60068-2-27 |
| Degree of protection  | IP67                                           |

## Accessories

|                      |              |
|----------------------|--------------|
| Supplied Accessories | 2 nuts M12x1 |
|----------------------|--------------|

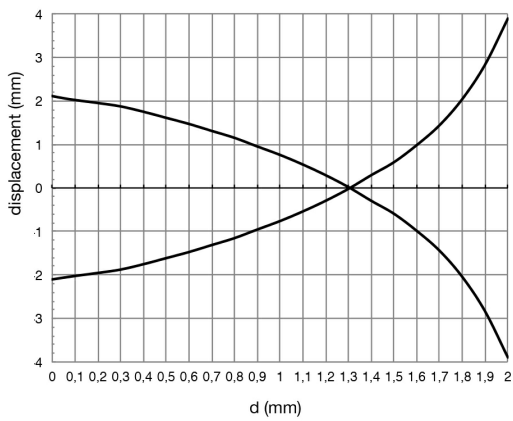
# INSTALLATION

---



# RESPONSE CURVES

## Disassamento Parallelo



**M.D. Micro Detectors S.p.A.**

Strada S. Caterina, 235

41122 Modena (MO)

Tel. 059 420411

Fax 059 253973

E-mail [info@microdetectors.com](mailto:info@microdetectors.com)

**date of printing**

21/05/2020 08:04:07