

# CV/RB6-20

optical fibers

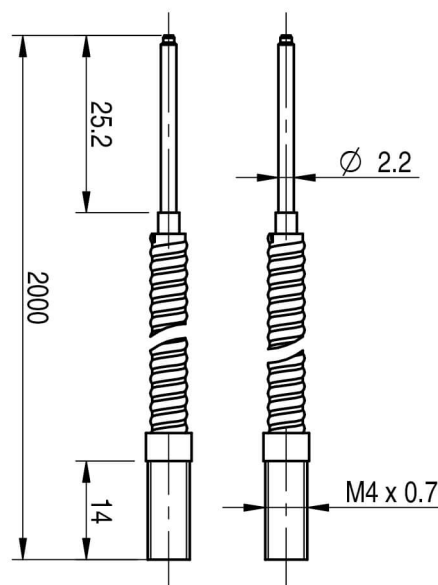


Micro Detectors

Italian Sensors Technology



Indicative image



## Detection properties

Distance with SSF	90 mm
Distance with FS1	90 mm
Distance with FX3	600 mm
Distance with FX4	900 mm
Distance with F1R	410 mm

## Application

Function Principle	Through-beam P/R
Description	Glass fibres up to 200°C

## Mechanical data

Operating temperature	-40°C....+200°C (posa fissa)
-----------------------	------------------------------

1	2
---	---

1 mm	1
------	---

M4 con sleeve	M4
---------------	----

vetro, ETM, inox	glass, ETM, inox
------------------	------------------

ottone nichelato	nickel-plated brass
------------------	---------------------

## Test/Approvals

Degree of protection

IP67

## Accessories

Accessories to be ordered  
separately

vedi serie AF

---

---

### **M.D.Micro Detectors S.p.A.**

Strada S.Caterina, 235

41122 Modena (MO)

Tel. 059 420411

Fax 059 253973

E-mail [info@microdetectors.com](mailto:info@microdetectors.com)

### **date of printing**

07/05/2020 10:30:15