

TOF/Start for escalators

Technical data

FEATURES

- ▶ Ignores cross-traffic via intelligent direction recognition
- ▶ Excellent detection capability, independent of reflectance
- ▶ Individual setting of the detection area
- ▶ Detection area operates with all types of background
- ▶ Insensitive to ambient light



OPTICAL

Detection area	
- Length (y-axis)	2,000 mm
- Width (x-axis)	Min. 600 mm
	Max. 1,400 mm

MECHANICAL

Dimensions (w × h × l)	57 × 34 × 44.5 mm
Housing material	Polycarbonate
Housing color	Black
Enclosure rating	IP65
Temperature range	-20°C ... +65°C

ELECTRICAL

Supply voltage U_{sp}	24 VDC ±20%
Current consumption at 24 VDC	50 mA (peak max. 0.5 A)
Output	PNP/NPN (push-pull)
Max. response time	
- TOF/Start Basic	200 ms
- TOF/Start Advanced	
Area without cross-traffic < 1 m	200 ms
Area with cross-traffic > 1 m	400 ms
Min. switching time	200 ms
Power-on time	1 s

GENERAL

Eye safety	EN 62471:2008
EMC emission	EN 61000-6-3:2007
	EN 12015:2014
EMC immunity	EN 61000-6-2:2005
	EN 12016:2013
Vibration	IEC 60068-2-6:2007
Shock	IEC 60068-2-27:2008
RoHS	2011/65/EU
Certificate	CE

CONNECTION CABLE AND ELECTRICAL CONNECTION

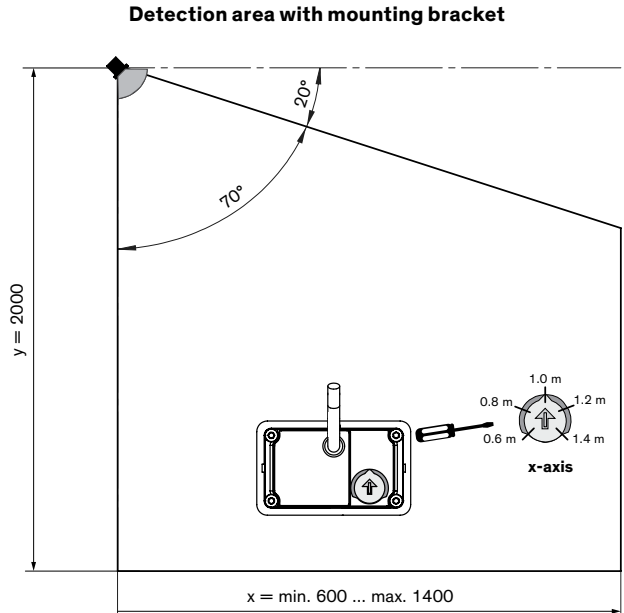
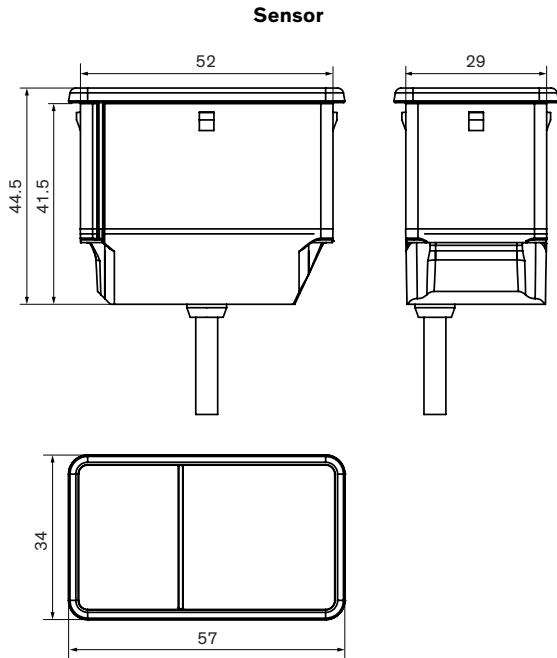
Sensor	
Length	0.25 m
Connection	M8, 6-pin
Diameter	Ø 4.2 mm
Material	PVC, black
Plug color	Blue
Connection cable	
Length	2 m (other lengths on request)
Connection	M8, 6-pin
Diameter	Ø 4.2 mm
Material	PVC, black
Plug color	Blue
Wires	AWG26
• brown	U_{sp}
• blue	GND (0 V)
• black	Output
• white	Not connected
• gray	Selectable output logic
• green	Not connected



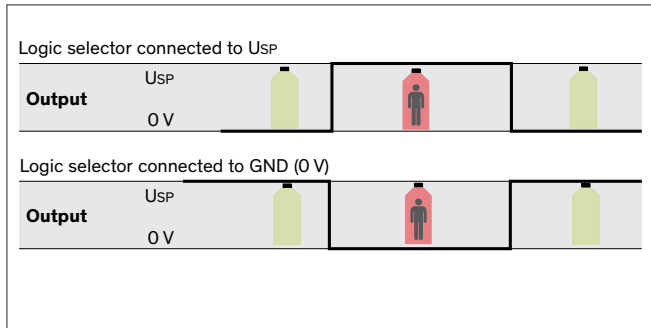
CEDES AG is certified according to ISO 9001: 2015

Dimensions

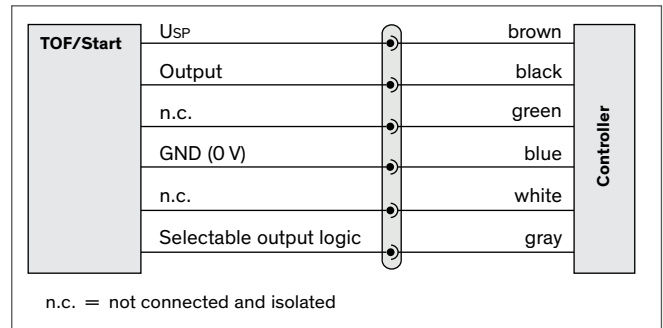
All dimensions in mm
Proportions not to scale



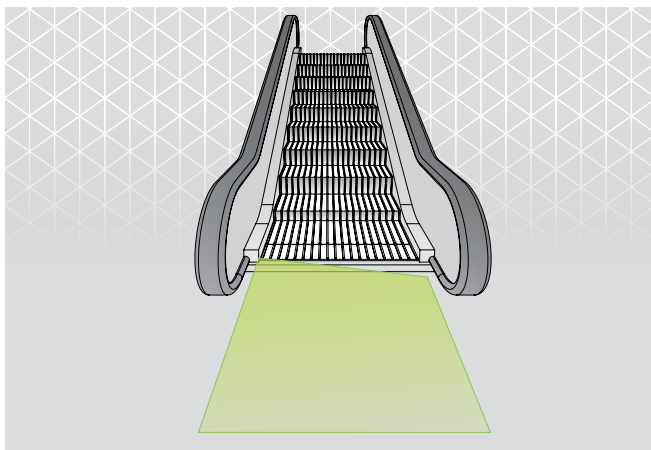
Selectable output logic



Connection diagram



Application



Escalators

TOF/Start detects intending passengers approaching an escalator