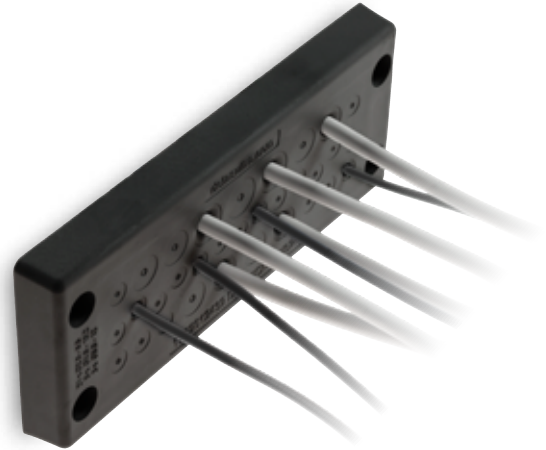




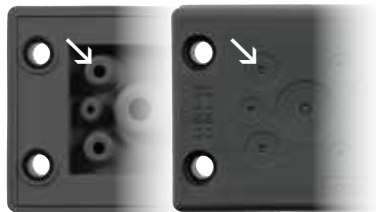
Model	Code	Cable nr. - Ø cables min/max [mm]	Dimensions [mm]		Pcs /pack
			Cut-out	Plate	
DES-PDM 24 14B	1732013415	10 - 2.8 / 6.5 4 - 14.5 / 22	112 x 36	148.6 x 59.6	10
DES-PDM 24 15B	1732013416	15 - 6.8 / 12			
DES-PDM 24 16B	1732013417	8 - 2.8 / 6.5 4 - 4.4 / 9.7 2 - 8.6 / 16.2 2 - 14.5 / 22			
DES-PDM 24 17B	1732013418	6 - 2.8 / 6.5 6 - 4.6 / 10.2 5 - 8.6 / 16.2			
DES-PDM 24 25B	1732013426	12 - 2.8 / 6.5 7 - 4.4 / 9.7 6 - 6.8 / 12			
DES-PDM 24 32B	1732013433	21 - 2.8 / 6.5 8 - 4.6 / 10.2 3 - 6.8 / 12			
DES-PDM 24 42B	1732013443	42 - 2.8 / 6.5			
Upon request:	1731991020	Set of 4 mounting screws in AISI304 with Black Dacromet finishing			10

## Cable entry plates with internal frame

- ▶ For high number of non-terminated cables
- ▶ High retaining force thanks to the double membrane
- ▶ Cost efficient solution
- ▶ High IP grade (IP65-66)



Double membrane



The DES-PDM 24 is an innovative alternative to standard cable glands on electrical, electronic and telecommunication cabinets and equipment.

The cable is pushed through the front membrane, whilst the second membrane increases the strain relief and liquid resistance.

## Technical data

**Material:** TPE

**Flammability:** self-extinguishing acc. to UL94-V0

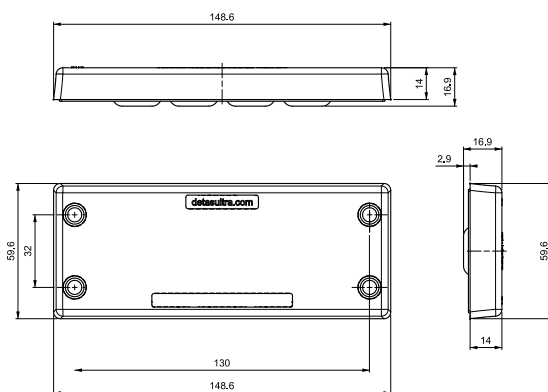
**Temperature:** -40°C... +105°C (static)

**Features:** halogens and silicones free

## Related products

Hydraulic punch driver HY360

## Dimensions [mm]



## Cable entry plates with internal frame

- ▶ For high number of non-terminated cables
- ▶ High retaining force thanks to the double membrane
- ▶ Cost efficient solution
- ▶ High IP grade (IP65-66)

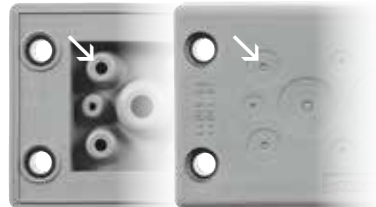


Model	Code	Cable nr. - Ø cables min/max [mm]	Dimensions [mm]		Pcs /pack
			Cut-out	Plate	
DES-PDM 24 14G	1732012414	10 - 2.8 / 6.5 4 - 14.5 / 22	112 x 36	148.6 x 59.6	10
DES-PDM 24 15G	1732012415	15 - 6.8 / 12			
DES-PDM 24 16G	1732012416	8 - 2.8 / 6.5 4 - 4.4 / 9.7 2 - 8.6 / 16.2 2 - 14.5 / 22			
DES-PDM 24 17G	1732012417	6 - 2.8 / 6.5 6 - 4.6 / 10.2 5 - 8.6 / 16.2			
DES-PDM 24 25G	1732012425	12 - 2.8 / 6.5 7 - 4.4 / 9.7 6 - 6.8 / 12			
DES-PDM 24 32G	1732012432	21 - 2.8 / 6.5 8 - 4.6 / 10.2 3 - 6.8 / 12			
DES-PDM 24 42G	1732012442	42 - 2.8 / 6.5			
<b>Upon request:</b>	1731991020	<b>Set of 4 mounting screws in AISI304 with Black Dacromet finishing</b>			

The DES-PDM 24 is an innovative alternative to standard cable glands on electrical, electronic and telecommunication cabinets and equipment.

The cable is pushed through the front membrane, whilst the second membrane increases the strain relief and liquid resistance.

Double membrane



2

## Technical data

**Material:** TPE

**Flammability:** self-extinguishing acc. to UL94-V0

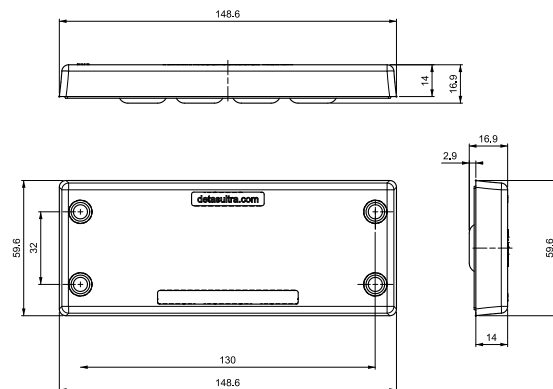
**Temperature:** -40°C... +105°C (static)

**Features:** halogens and silicones free

## Related products

Hydraulic punch driver HY360

## Dimensions [mm]



				up to <b>IP66</b>	up to <b>NEMA 4X</b>			
--	--	--	--	-------------------	----------------------	--	--	--