

# FAR2/BP-1E

cylindrical photosensors

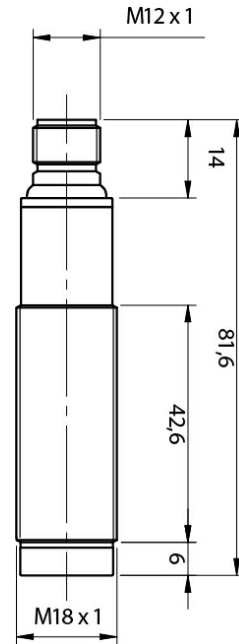


Micro Detectors

Italian Sensors Technology



Indicative image



## Detection properties

Nominal sensing distance	100mm white target 90% Kodak 100x100mm
Thermal drift of Sr	≤10% Sr
Repeat Accuracy	5%
Sensitivity adjustment	No

## Application

Function Principle	Diffuse reflection (short distance, ≤200mm)
Optic position	Axial

## Outputs

Output type	PNP
Output Function	NO+NC
Switching frequency	250Hz

## Electrical data

Operating Voltage	10...30Vdc
No-Load supply current	≤30mA
Load current	≤100mA
Leakage current	≤10μA
Output voltage drop	2V max. IL =100 mA
Max ripple content	10%
LED indicators	Yellow (Lon) or output status Lo/Do
Time delay before availability	≤200ms
Short-circuit protection	Short circuit (autoreset), Overvoltage
Reverse Polarity Protection	Polarity inversal, Impulsive voltage
Emission	Red (660 nm)
Interference to external light	3000lux (incandescent lamp), 10000lux (sunlight)

## Mechanical data

Dimensions	M18 x 1 / L =81,6mm
Weight	100g
Housing Material	Nickel plated brass / PC plug
Connections	M12 plug
Active Head Material	PC
Tightening torque	25Nm
Operating temperature	- 25°C...+ 70° C (Without freeze)
Diameter/Dimension	M18

## Test/Approvals

Approvals	CE, cULus
EMC compatibility	EN 60947-5-2
Shocks and vibrations	Vibration IEC 60068-2-6 / Shock IEC 60068-2-27
Degree of protection	IP67

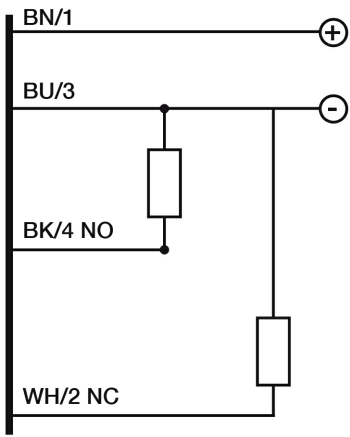
## Accessories

Supplied Accessories	nuts M18 x 1
----------------------	--------------

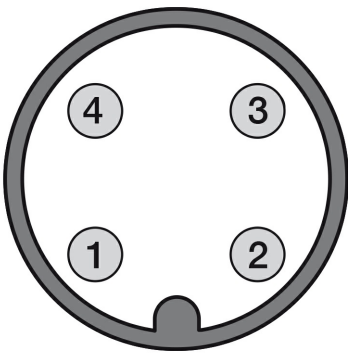
---

# ELECTRICAL DIAGRAMS OF THE CONNECTIONS

---

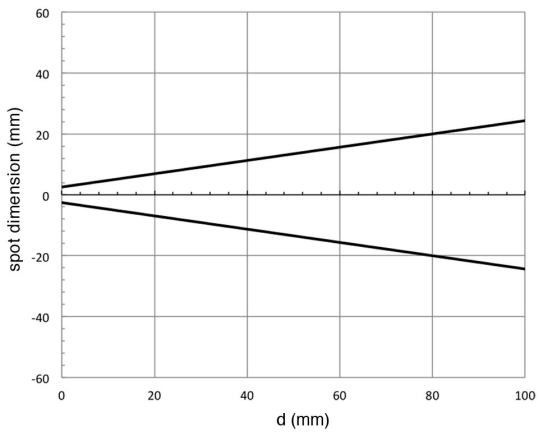


## CONNECTOR

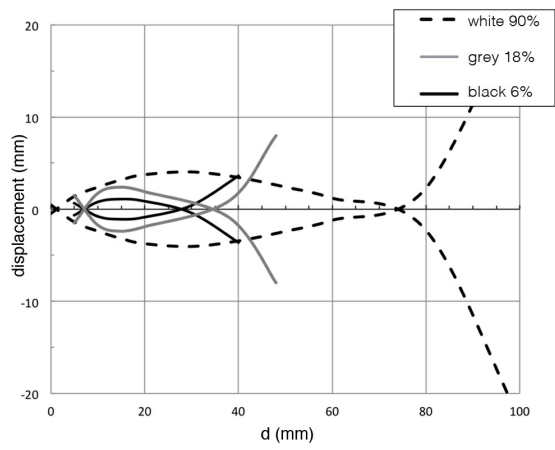


## RESPONSE CURVES

### Dimensione Spot



### Disassamento Parallelo



**M.D.Micro Detectors S.p.A.**

Strada S.Caterina, 235

41122 Modena (MO)

Tel. 059 420411

Fax 059 253973

E-mail [info@microdetectors.com](mailto:info@microdetectors.com)

**date of printing**

14/04/2020 16:53:01