

CV/RB4-20

optical fibers

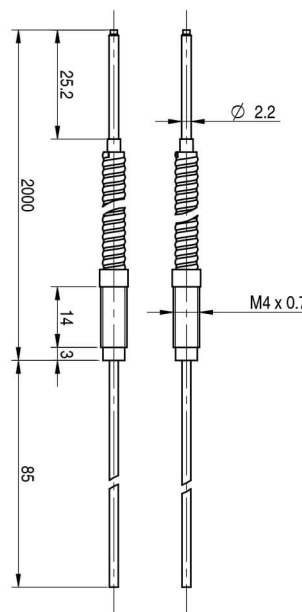


Micro Detectors

Italian Sensors Technology



Indicative image



Detection properties

| | |
|-------------------|--------|
| Distance with SSF | 90 mm |
| Distance with FS1 | 90 mm |
| Distance with FX3 | 600 mm |
| Distance with FX4 | 900 mm |
| Distance with F1R | 410 mm |

Application

| | |
|--------------------|--------------------------|
| Function Principle | Through-beam P/R |
| Description | Glass fibres up to 200°C |

Mechanical data

| | |
|-----------------------|------------------------------|
| Operating temperature | -40°C....+200°C (posa fissa) |
|-----------------------|------------------------------|

| | |
|------------------|---------------------|
| 1 | 2 |
| 1 mm | 1 mm |
| M4 con sleeve | M4 with sleeve |
| vetro, ETM, inox | glass, ETM, inox |
| ottone nichelato | nickel-plated brass |

Test/Approvals

M.D. Micro Detectors S.p.A.

Strada S. Caterina, 235

41122 Modena (MO)

Tel. 059 420411

Fax 059 253973

E-mail info@microdetectors.com

date of printing

07/05/2020 10:29:18