

# AM1/AN-2H

cylindrical inductive

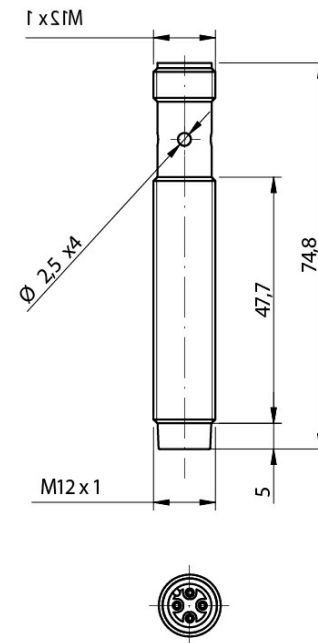


Micro Detectors

Italian Sensors Technology



Indicative image



## Detection properties

|                          |  |
|--------------------------|--|
| Nominal sensing distance | 4mm  |
| Operanting distance      | 0...3,2mm  |
| Standard target          | 12x12mm FE360  |
| Correction Factor        | copper: 0,41 / aluminium: 0,47 / brass: 0,56 / stainless steel: 1,15 |
| Thermal drift of Sr      | < 10%  |
| Repeat Accuracy          | 5% (UB 24V Ta=23°C ±5°C)   |
| Hysteresis               | 1 ... 20%  |

## Outputs

|                     |      |
|---------------------|------|
| Output type         | NPN  |
| Output Function     | NO   |
| Switching frequency | 2kHz |

## Electrical data

|                        |               |
|------------------------|---------------|
| Operating Voltage      | 10...30Vdc    |
| No-Load supply current | ≤ 10mA        |
| Load current           | ≤ 200mA       |
| Leakage current        | ≤ 10μA        |
| Output voltage drop    | ≤ 1,8V @200mA |

|                                    |                         |
|------------------------------------|-------------------------|
| Max ripple content                 | ≤10%                    |
| LED indicators                     | Yellow LED output state |
| Time delay before availability     | ≤ 50ms                  |
| Short-circuit protection           | Yes (auto-reset)        |
| Reverse Polarity Protection        | Yes                     |
| Protection against inductive loads | Yes                     |

## Mechanical data

|                       |                      |
|-----------------------|----------------------|
| Mounting              | Unshielded           |
| Dimensions            | M12 x 1 / L = 64,8mm |
| Weight                | 30g                  |
| Housing Material      | Nickel-plated brass  |
| Connections           | M12 Plug             |
| Active Head Material  | PBT                  |
| Tightening torque     | 10Nm                 |
| Operating temperature | -25°C...+70°C        |
| Diameter/Dimension    | M12                  |

## Test/Approvals

|                       |  |
|-----------------------|--|
| Approvals             | CE UR  |
| EMC compatibility     | IEC 60947-5-2                                  |
| Shocks and vibrations | Vibration IEC 60068-2-6 / Shock IEC 60068-2-27 |
| Degree of protection  | IP67   |

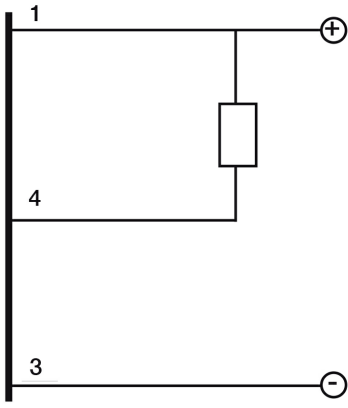
## Accessories

|                      |              |
|----------------------|--------------|
| Supplied Accessories | 2 nuts M12x1 |
|----------------------|--------------|

---

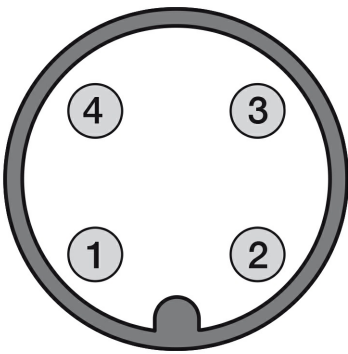
# ELECTRICAL DIAGRAMS OF THE CONNECTIONS

---



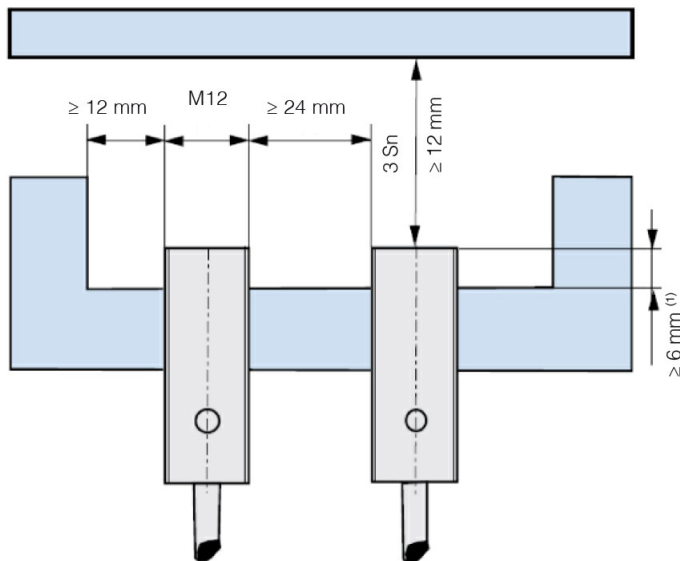
## CONNECTOR

---



## INSTALLATION

---

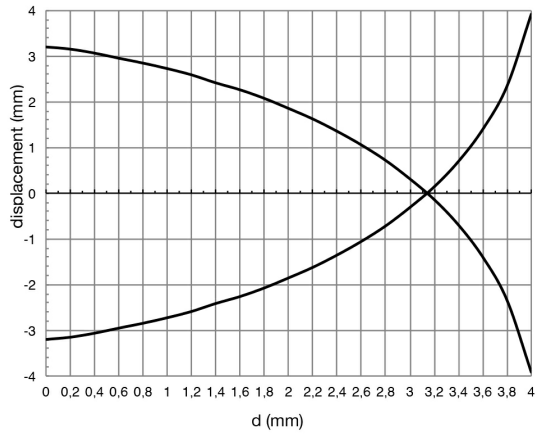


<sup>(1)</sup>  $\geq 0,6 \text{ mm}$  for non magnetic materials

# RESPONSE CURVES

---

## Disassamento Parallelo



---

**M.D. Micro Detectors S.p.A.**

Strada S. Caterina, 235  
41122 Modena (MO)  
Tel. 059 420411  
Fax 059 253973  
E-mail [info@microdetectors.com](mailto:info@microdetectors.com)

**date of printing**

27/05/2020 14:17:23