

CL12/0B-00A

connectors

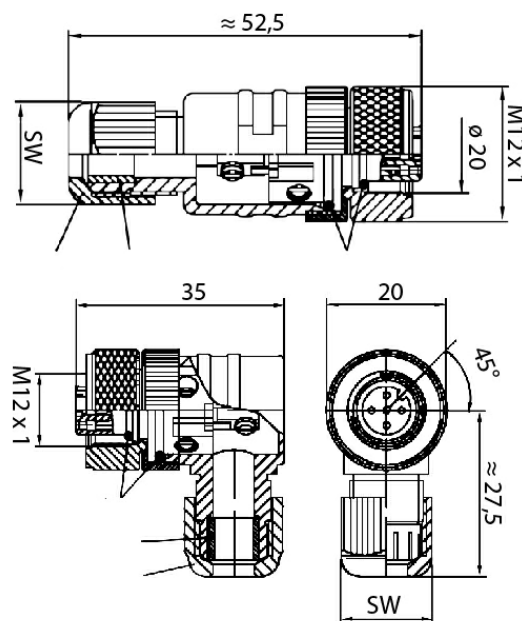


Micro Detectors

Italian Sensors Technology



Indicative image



Application

Fixing

screw terminals

Electrical data

Rated current	4 A
Wires	4
Insulation resistance	$\geq 100 \text{ m}\Omega$
Contact resistance	$\leq 5 \text{ m}\Omega$
Rated voltage	250 V

Mechanical data

Operating temperature	-25 °C ... 90 °C
Plug	M12
Outer diameter	3 mm ... 6,5 mm
Head type	Axial
Stripping length of the sheath	20 mm

Conductors section

4

Model

Female

Test/Approvals

Degree of protection

IP67

M.D.Micro Detectors S.p.A.

Strada S.Caterina, 235
41122 Modena (MO)
Tel. 059 420411
Fax 059 253973
E-mail info@microdetectors.com

date of printing

23/07/2019 15:09:52