

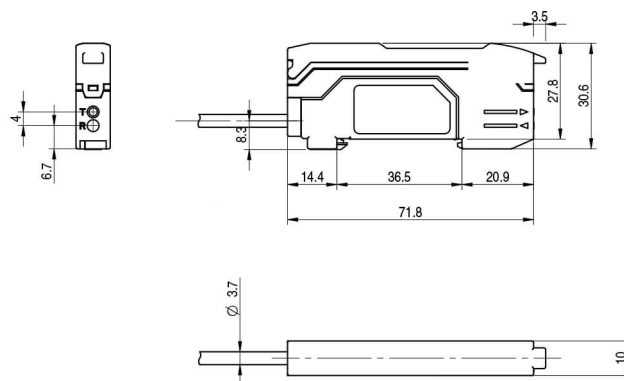
# FY2/0P-0A

Amplificatori per Fibre Ottiche



Micro Detectors

Italian Sensors Technology



## Outputs

Switching frequency 12,5 Khz(HIGH SPEED) 2 Khz (FINE) 500 Hz (SUPER) 31,25 Hz(MEGA)

## Mechanical data

Operating temperature - 20°C...+ 55°C (without freeze)

**M.D. Micro Detectors S.p.A.**

Strada S.Caterina, 235

41122 Modena (MO)

Tel. 059 420411

Fax 059 253973

E-mail [info@microdetectors.com](mailto:info@microdetectors.com)

**date of printing**

07/05/2020 14:24:23