

# AM1/D2-5A

cylindrical inductive



Micro Detectors

Italian Sensors Technology



## Detection properties

|                     |  |
|---------------------|--|
| Operanting distance | 0...6mm  |
| Standard target     | 18x18mm FE360  |
| Thermal drift of Sr | $\pm 5\%$ (0...+70°C); $\pm 10\%$ (-25°C...0°C)          |
| Repeat Accuracy     | 0,3mm (UB 20...30Vcc/Vdc Ta=23°C $\pm 5^\circ\text{C}$ ) |
| Resolution          | $\leq 1\mu\text{m}$                                      |

## Outputs

|                 |                |
|-----------------|----------------|
| Output type     | 0-10V + 4-20mA |
| Output Function | Analogue       |

## Electrical data

|                                |   |
|--------------------------------|---|
| Operating Voltage              | 10...30Vdc  |
| No-Load supply current         | $\leq 12\text{mA}$  |
| Load current                   | $\leq 10\text{mA}$  |
|                                | 0V - 0 + 0,4V (23°C) +5,2V $\pm 0,4\text{V}$ (23°C) +10V $\pm 0,4\text{V}$ (23°C) |
|                                | 1000Hz  |
|                                | 4mA $\pm 0, \leq 8\text{mA}$ (23°C) 20mA $\pm 0, \leq 8\text{mA}$ (23°C)          |
|                                | 500 $\Omega$ (UB = 15V) / 1k $\Omega$ (UB = 30V)                                  |
| Max ripple content             | $\leq 20\%$   |
| Time delay before availability | $\leq 50\text{ms}$  |

|                             |   |
|-----------------------------|---|
| Short-circuit protection    | Yes   |
| Reverse Polarity Protection | Yes   |
| Max output current          | 4mA $\pm$ 0, $\leq$ 8mA (23°C) 20mA $\pm$ 0, $\leq$ 8mA (23°C)      |
| Maximum capacitance load    | 500 $\Omega$ (UB = 15V) / 1k $\Omega$ (UB = 30V)                    |
| Output voltage              | 0V - 0 + 0,4V (23°C) +5,2V $\pm$ 0,4V (23°C) +10V $\pm$ 0,4V (23°C) |

## Mechanical data

|                       |                     |
|-----------------------|---------------------|
| Mounting              | Partially Shielded  |
| Dimensions            | M12 x 1 / L = 50mm  |
| Weight                | 95g                 |
| Housing Material      | Nickel-plated brass |
| Connections           | 2m PVC Cable        |
| Active Head Material  | PBT                 |
| Tightening torque     | 10Nm                |
| Operating temperature | -25°C...+70°C       |
| Diameter/Dimension    | M12                 |

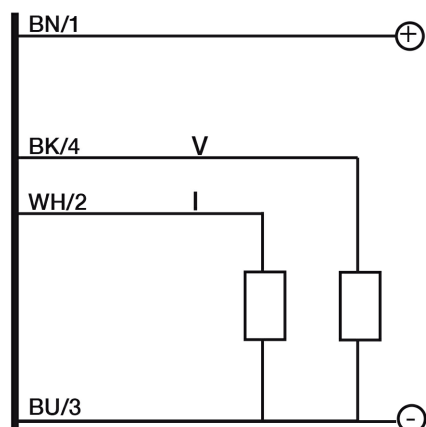
## Test/Approvals

|                       |  |
|-----------------------|--|
| Approvals             | CE   |
| EMC compatibility     | IEC 60947-5-2                                  |
| Shocks and vibrations | Vibration IEC 60068-2-6 / Shock IEC 60068-2-27 |
| Degree of protection  | IP67   |

## Accessories

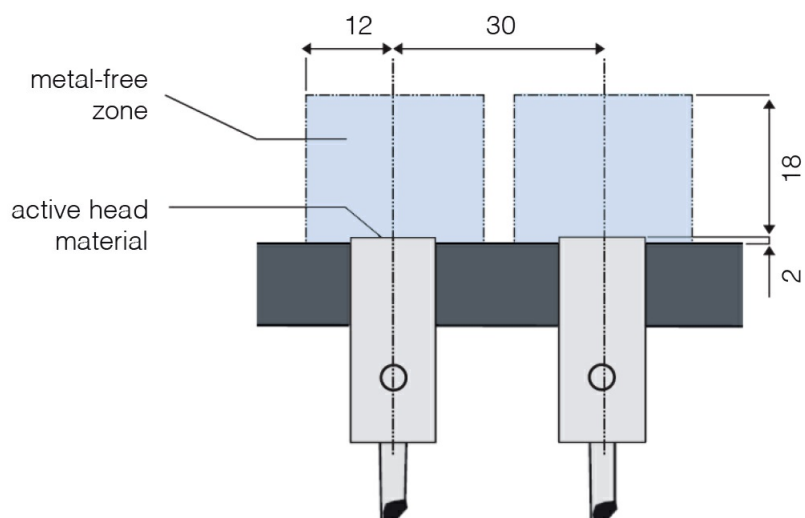
|                      |              |
|----------------------|--------------|
| Supplied Accessories | 2 nuts M12x1 |
|----------------------|--------------|

# ELECTRICAL DIAGRAMS OF THE CONNECTIONS



# INSTALLATION

---



---

**M.D. Micro Detectors S.p.A.**

Strada S. Caterina, 235

41122 Modena (MO)

Tel. 059 420411

Fax 059 253973

E-mail [info@microdetectors.com](mailto:info@microdetectors.com)

**date of printing**

20/05/2020 13:07:46