

FARP/BP-1E

cylindrical photosensors

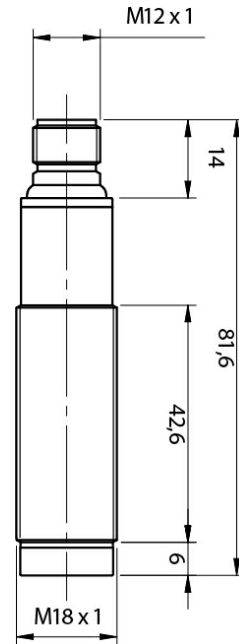


Micro Detectors

Italian Sensors Technology



Indicative image



Detection properties

| | |
|--------------------------|---------------|
| Nominal sensing distance | 4m with RL110 |
| Thermal drift of Sr | ≤10% Sr |
| Repeat Accuracy | 5% |
| Sensitivity adjustment | No |

Application

| | |
|--------------------|-----------|
| Function Principle | Polarized |
| Optic position | Axial |

Outputs

| | |
|---------------------|-------|
| Output type | PNP |
| Output Function | NO+NC |
| Switching frequency | 250Hz |

Electrical data

| | |
|--------------------------------|--|
| Operating Voltage | 10...30Vdc |
| No-Load supply current | ≤30mA |
| Load current | ≤100mA |
| Leakage current | ≤10μA |
| Output voltage drop | 2V max. IL =100 mA |
| Max ripple content | 10% |
| LED indicators | Yellow (output state) |
| Time delay before availability | ≤200ms |
| Short-circuit protection | Short circuit (autoreset), Overvoltage |
| Reverse Polarity Protection | Polarity inversal, Impulsive voltage |
| Emission | Red (660 nm) |
| Interference to external light | 5000lux (incandescent lamp), 10000lux (sunlight) |

Mechanical data

| | |
|-----------------------|-----------------------------------|
| Dimensions | M18 x 1 / L =81,6mm |
| Weight | 100g |
| Housing Material | Nickel plated brass / PC plug |
| Connections | M12 plug |
| Active Head Material | PMMA |
| Tightening torque | 25Nm |
| Operating temperature | - 25°C...+ 70° C (Without freeze) |
| Diameter/Dimension | M18 |

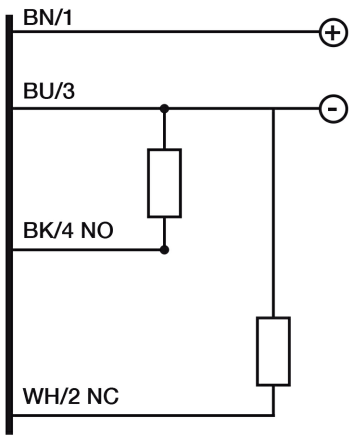
Test/Approvals

| | |
|-----------------------|--|
| Approvals | CE, cULus |
| EMC compatibility | EN 60947-5-2 |
| Shocks and vibrations | Vibration IEC 60068-2-6 / Shock IEC 60068-2-27 |
| Degree of protection | IP67 |

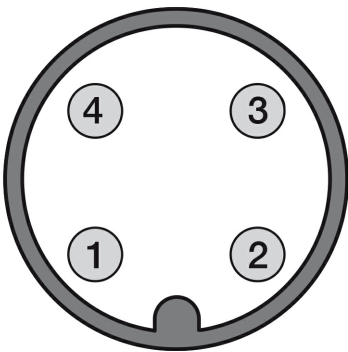
Accessories

| | |
|----------------------|--------------|
| Supplied Accessories | nuts M18 x 1 |
|----------------------|--------------|

ELECTRICAL DIAGRAMS OF THE CONNECTIONS

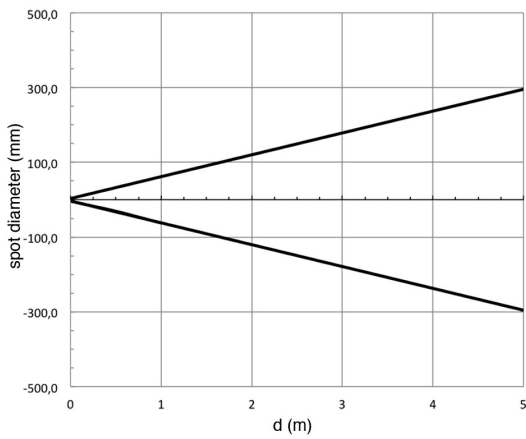


CONNECTOR

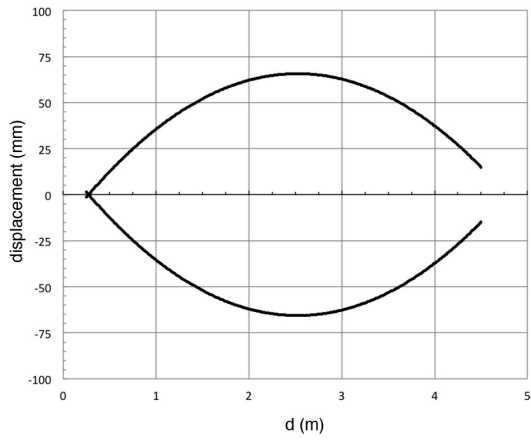


RESPONSE CURVES

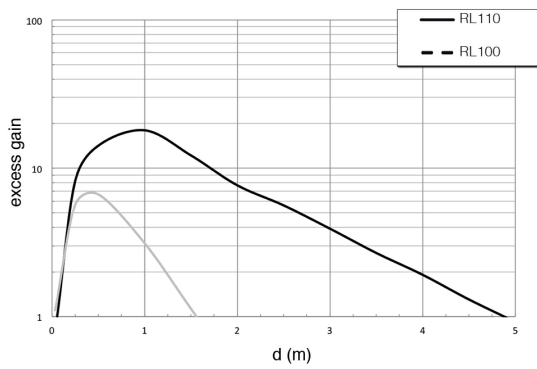
Dimensione Spot



Disassamento Parallelo



Eccesso di Guadagno



M.D. Micro Detectors S.p.A.

Strada S. Caterina, 235

41122 Modena (MO)

Tel. 059 420411

Fax 059 253973

E-mail info@microdetectors.com

date of printing

14/04/2020 16:55:12