

Technical data sheet

227-230-10

Rotary actuator

Description

Rotary actuator for adjusting dampers of 90° angle of rotation in HVAC installations

- **Running time** 150 s / 90°
- **Torque** 10 Nm
- **Nominal voltage** 230 VAC/DC
- **Control** 2-/3-point
- **Damper size** up to approx. 2 m²
- **Shaft coupling** clamp
∅ 8-15 mm / Ø 8-20 mm



Technical data

Nominal voltage

Nominal voltage	230 VAC/DC
Nominal voltage range	85...265 VAC/DC
Power consumption motor (motion)	2,0 W
Power consumption standby (end position)	1,0 W
Wire sizing	4,5 VA
Control	2-/3-point
Feedback signal	-
Auxiliary switch	-
Contact load	-
Switching point	-
Connection motor	cable 1000 mm, 3 x 0,75 mm ² (halogen free)
Connection feedback potentiometer	-
Connection auxiliary switch	-
Connection GUAC	-

Functional data

Torque	> 10 Nm
Damper size	up to approx. 2 m ²
Synchronised speed	±5%
Direction of rotation	selected by switch
Manual override	Gearing latch disengaged with pushbutton, self-resetting
Angle of rotation	0°...max. 95° can be limited with adjustable mechanical end stops
Running time	< 150 s / 90°
Sound power level	< 35 dB(A)
Shaft coupling	clamp ∅ 8-15 mm / Ø 8-20 mm

Technical data

Functional data

Position indication	mechanical with pointer
Service life	> 60 000 cycles (0°...95°...0°)

Safety

Protection class	II (double insulation)
Degree of protection	IP 54 (cable downwards)
EMC	CE (2014/30/EU)
LVD	CE (2014/35/EU)
RoHS	CE (2011/65/EU)
Mode of operation	Typ 1 (EN 60730-1)
Rated impulse voltage	4 kV (EN 60730-1)
Control pollution degree	3 (EN 60730-1)
Ambient temperature normal operation	-30°C...+50°C
Storage temperature	-30°C...+80°C
Ambient humidity	5...95% r.H., non condensing (EN 60730-1)
Maintenance	maintenance free

Dimensions/ Weight

Dimensions	115 x 65 x 61 mm
Weight	530 g

Operating mode / Properties

Operating mode

2 point:

Through connecting the power supply to BU+BN (1+2) and the direction switch on "R" moves the actuator to position 1. Is also BK (1+2+3) connected to the power supply the actuator is moving to position 0.

3 point:

Through connecting the power supply to BU+BN (1+2) and the direction switch on "R" moves the actuator to position 1. Is BU+BK (1+3) connected to the power supply the actuator is moving to position 0.

The actuator is overload-proof, requires no limit switches and automatically stops when the end stop is reached.

Direct mounting

Simple direct mounting on the damper shaft with a clamp, supplied with an anti-rotation strap to prevent the actuator from rotating.

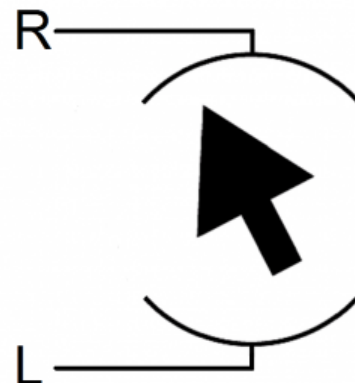
Manual override

Manual override is possible with the self-resetting pushbutton (the gearing latch remains disengaged as long as the pushbutton is pressed).

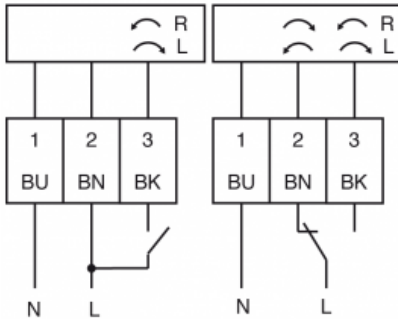
Mode switch

Mode switch with two positions at the housing:

R: rotary rotation right / clockwise
L: rotary rotation left / counter clockwise



Connection / Safety remarks


Safety remarks

- Caution: Power supply voltage!
- The device is not allowed to be used outside the specified field of application, especially in airplanes.
- It may only be installed by suitably trained personnel. Any legal regulations or regulations issued by authorities must be observed during assembly.
- The device may only be opened at the manufacturer's site.
- The device is not allowed to be disposed of as household refuse. All locally valid regulations and requirements must be observed.
- When calculating the required torque, the specifications supplied by the damper manufacturers (cross-section, design, installation site), and the air flow conditions must be observed.

Technical drawing

