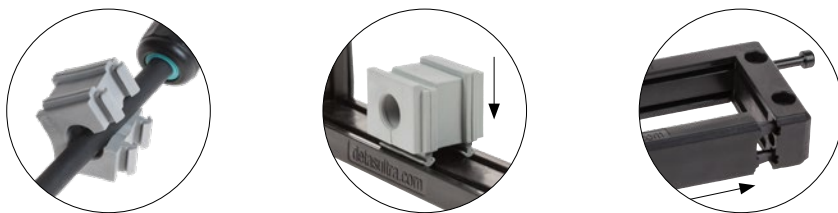
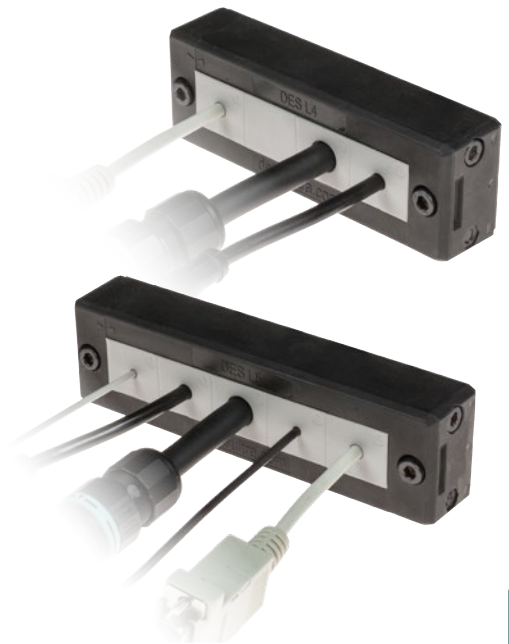




Model	Code	Some possible configurations	Cut-out [mm]	Pcs /pack
DES L4	1731010004		86 x 18	10
DES L5	1731010005		108 x 18	10
Upon request:	1731991010	Set of 2 mounting screws in AISI304 with Black Dacromet finishing		10

Splittable frame for cables with and without connectors

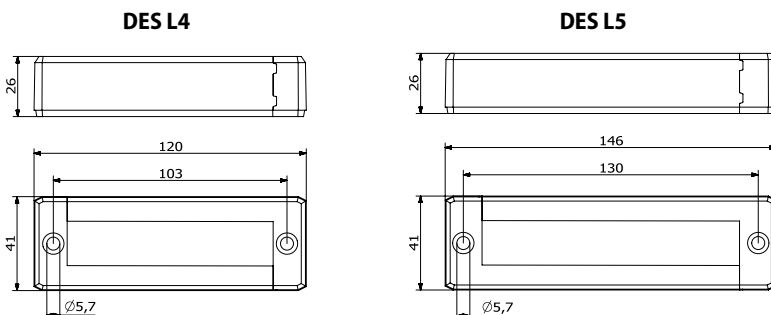
- ▶ For 4 or 5 small SPP grommets
- ▶ Frame screws in AISI304 Stainless Steel
- ▶ Integrated gasket
- ▶ Strain relief according to EN 62444
- ▶ Sturdy construction IK10
- ▶ IP66 and Nema 4X certified



The DES L4 and L5 splittable frames enable pre-terminated cables from 2 to 16mm in diameter to pass through enclosure walls, providing strong strain relief and water protection.

1

Dimensions [mm]



Technical data

Material: PP+GF

Flammability: self-extinguishing acc. to UL94-V0

Temperature: -40°C... +155°C (static)

Features: halogens and silicones free

Related products

- Inserts SPP, SPP K, SPP M, SPP F
- Inserts SPP 2x
- Inserts SPP 4x

