

Cable entry plates with internal frame

- ▶ For high number of non-terminated cables
- ▶ High retaining force thanks to the double membrane
- ▶ Cost efficient solution
- ▶ High IP grade (IP65-66)

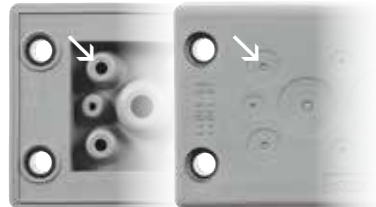


Model	Code	Cable nr. - Ø cables min/max [mm]	Dimensions [mm]		Pcs /pack
			Cut-out	Plate	
DES-PDM 24 14G	1732012414	10 - 2.8 / 6.5 4 - 14.5 / 22	112 x 36	148.6 x 59.6	10
DES-PDM 24 15G	1732012415	15 - 6.8 / 12			
DES-PDM 24 16G	1732012416	8 - 2.8 / 6.5 4 - 4.4 / 9.7 2 - 8.6 / 16.2 2 - 14.5 / 22			
DES-PDM 24 17G	1732012417	6 - 2.8 / 6.5 6 - 4.6 / 10.2 5 - 8.6 / 16.2			
DES-PDM 24 25G	1732012425	12 - 2.8 / 6.5 7 - 4.4 / 9.7 6 - 6.8 / 12			
DES-PDM 24 32G	1732012432	21 - 2.8 / 6.5 8 - 4.6 / 10.2 3 - 6.8 / 12			
DES-PDM 24 42G	1732012442	42 - 2.8 / 6.5			
Upon request:	1731991020	Set of 4 mounting screws in AISI304 with Black Dacromet finishing			

The DES-PDM 24 is an innovative alternative to standard cable glands on electrical, electronic and telecommunication cabinets and equipment.

The cable is pushed through the front membrane, whilst the second membrane increases the strain relief and liquid resistance.

Double membrane



2

Technical data

Material: TPE

Flammability: self-extinguishing acc. to UL94-V0

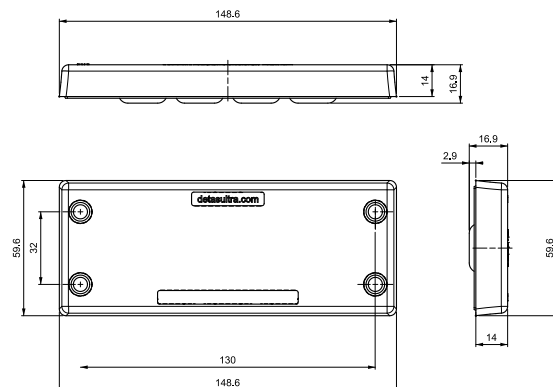
Temperature: -40°C... +105°C (static)

Features: halogens and silicones free

Related products

Hydraulic punch driver HY360

Dimensions [mm]



				up to IP66	up to NEMA 4X			
--	--	--	--	-------------------	----------------------	--	--	--