

CF/RBA-20

optical fibers

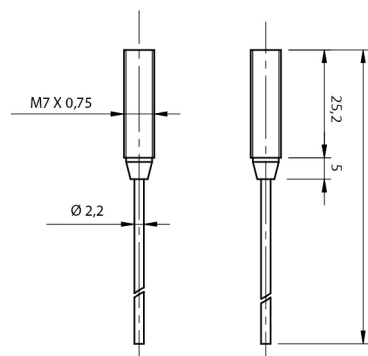


Micro Detectors

Italian Sensors Technology



Indicative image



Detection properties

Distance with SSF	1.200 mm
Distance with FS1	1.200 mm
Distance with FX3	8.000 mm
Distance with FX4	10.000 mm
Distance with F1R	4.000 mm

Application

Function Principle	Through-beam P/R
Description	Plastic optical fibres

Mechanical data

Operating temperature	-40°C....+70°C (posa fissa)
1	2
1 mm	1 mm
M4 con sleeve	M7 with lenti
vetro, ETM, inox	PE, plastic
ottone nichelato	nickel-plated brass

Test/Approvals

Degree of protection

IP67

Accessories

Accessories to be ordered
separately

ST 28

M.D.Micro Detectors S.p.A.

Strada S.Caterina, 235

41122 Modena (MO)

Tel. 059 420411

Fax 059 253973

E-mail info@microdetectors.com

date of printing

07/05/2020 10:27:46